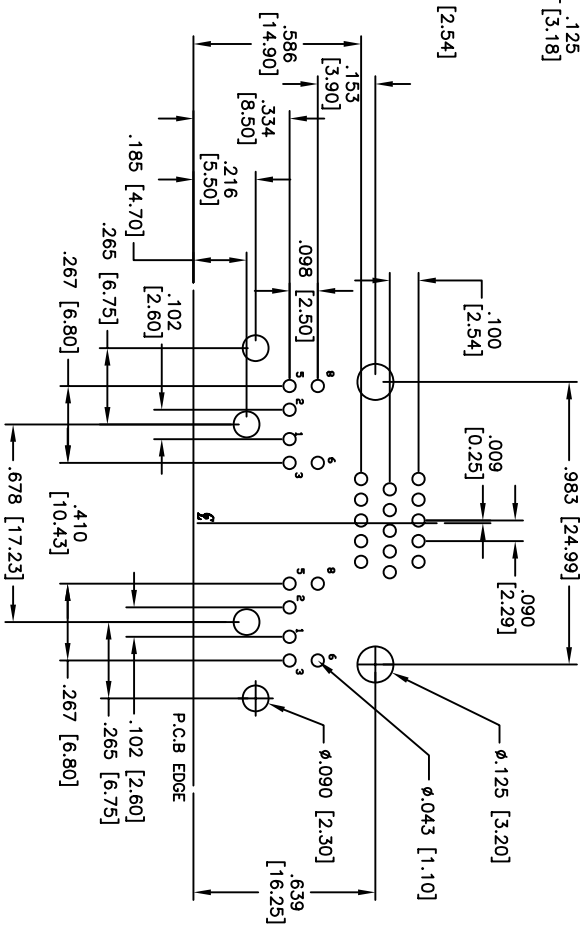
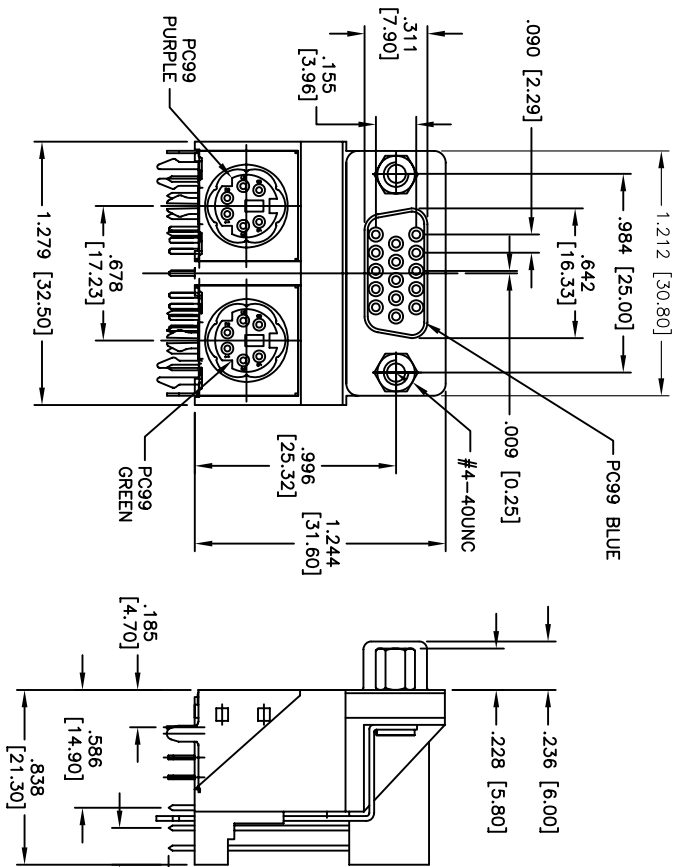


Rev	AWO #	Description	Date	Appr
-	7579	RELEASED	3/9/07	

APPROVED: _____
 DATE: _____ TITLE: _____



RECOMMENDED P.C.B. LAYOUT

SPECIFICATIONS:

Material:
 Insulator: PBT, rated UL 94V-0
 D-Sub Insulator color: PC99 Blue
 (Pantone color 660C ~ 662C)
 Mini Din Insulator color:
 Left Port: Purple, Pantone color 2705C ~ 2715C)
 Right Port: Green, Pantone color 3385C ~ 3395C)
Contacts: Brass
Shell: Steel, Nickel plated
Plating:
 Gold flash over Nickel underplate overall
Electrical:
 Operating voltage: 250 VAC max.
 Current rating: 3 Amps max.
 Contact resistance: 25 mohms max. initial
 Insulation resistance: 5,000 Mohms min.
 Dielectric withstanding voltage: 1,000 VAC for 1 minute
Temperature Rating:
 Operating temperature: -55°C to +105°C
Environmental:
 Lead free, RoHS compliant.
 Recommended soldering temp: 235°C for 5 sec.



UNLESS OTHERWISE SPECIFIED
 ALL DIMENSIONS ARE INCHES [MM]
 TOLERANCES: EXCEPT AS NOTED
 INCHES
 .X ± .10
 .XX ± .020
 .XXX ± .015
 .XXX ± .010
 Holes
 ØX ± .10
 ØXXX ± .015
 ØXXX ± .010

ADAM TECH
 909 Rahway Avenue, Union, NJ 07083
 Phone: 908-687-5000 Fax: 908-687-5710

DRAWN	BW	3/9/07	SIZE	PART NO.	REV.
CHECKED			X	DPD-HD/15/2MDJ-006-00-3	-
APPROVED			REF:	SCALE: NTS	SHEET 1 OF 1

**DUAL PORT D-SUB, HD FEMALE 15 POSITION
 2-6 POSITION DIN JACKS**