

4

3

2

1

THIS DRAWING IS UNPUBLISHED.

RELEASED FOR PUBLICATION

20

LOC

DIST

REVISIONS

© COPYRIGHT 20 BY -

ALL RIGHTS RESERVED.

P	LTR	DESCRIPTION	DATE	DWN	APVD
	E	UPDATED	20FEB2013	MZ	JC
	F	PARTS -1, -2, -3 RELEASED FOR PRODUCTION	27JUN2013	KR	JC

VISUAL INDICATOR
FOR PE CONDUCTOR

NOTES:

1) MATERIAL: POLYAMIDE GLASS FILLED
NATURAL COLOUR

2) PACKAGING: SEE TE PACKAGING SPECIFICATION
107-20294

△3 N CODE

△4 L CODE

△5 PE CODE

△6 TE CODE

△7 RATED VOLTAGE

△8 RATED CURRENT

△9 PART NOT YET RELEASED FOR PRODUCTION

NOTE	POL. KEYING	COLOUR	DESCRIPTION	REV.	PART NUMBER
△9	F	NATURAL	SOCKET CONN. PCB VERTICAL NECTOR* M-LINE	E	293602-6
△9	E	NATURAL	SOCKET CONN. PCB VERTICAL NECTOR* M-LINE	E	293602-5
△9	D	NATURAL	SOCKET CONN. PCB VERTICAL NECTOR* M-LINE	E	293602-4
	C	NATURAL	SOCKET CONN. PCB VERTICAL NECTOR* M-LINE	F	293602-3
	B	NATURAL	SOCKET CONN. PCB VERTICAL NECTOR* M-LINE	F	293602-2
	A	NATURAL	SOCKET CONN. PCB VERTICAL NECTOR* M-LINE	F	293602-1

3D VIEWS, FOR REFERENCE ONLY

SCALE 1:1

THIS DRAWING IS A CONTROLLED DOCUMENT.

DIMENSIONS:	TOLERANCES UNLESS OTHERWISE SPECIFIED:
mm	
0 PLC	±
1 PLC	±0.3
2 PLC	±0.20
3 PLC	±
4 PLC	±
ANGLES	±3°
MATERIAL	FINISH
-	-

DWN	M. ZUCCA	28OCT2009
CHK	M. ZUCCA	28OCT2009
APVD	G. TURCO	28OCT2009
PRODUCT SPEC	108-20304	
APPLICATION SPEC	114-20152	
WEIGHT	-	

TE Connectivity

NAME	SIZE	CAGE CODE	DRAWING NO	RESTRICTED TO
SOCKET CONNECTOR PCB VERTICAL VERSION NECTOR* M-LINE 3 POS. UNSEALED	A3	00779	C-293602	-

Customer Drawing

SCALE 3:1

SHEET 1 OF 3

REV F

1470-19 (3/11)

THIS DRAWING IS UNPUBLISHED.

RELEASED FOR PUBLICATION

20

© COPYRIGHT 20 BY -

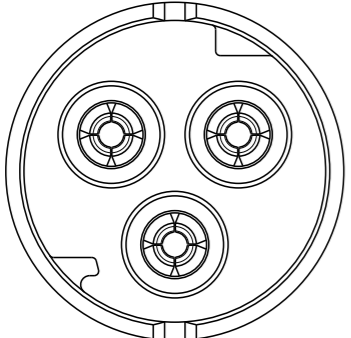
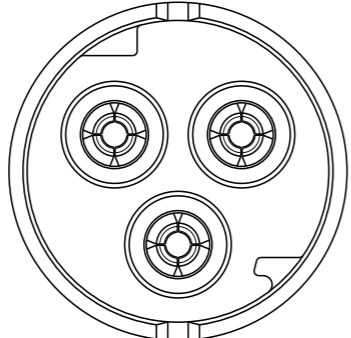
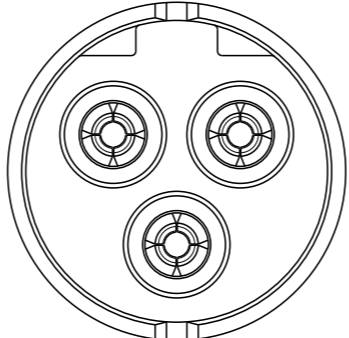
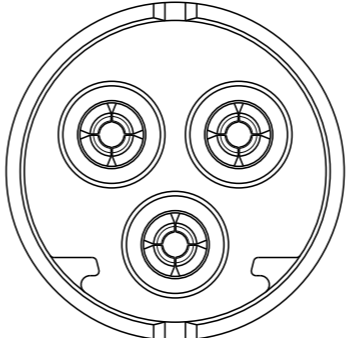
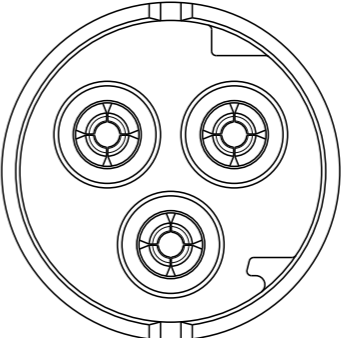
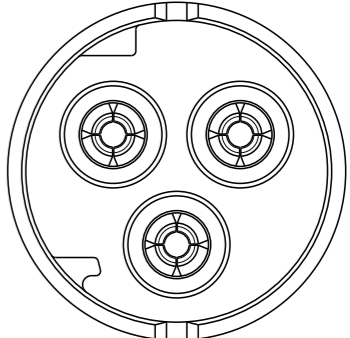
ALL RIGHTS RESERVED.

LOC 1 DIST -

REVISIONS

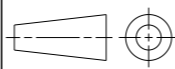
P	LTR	DESCRIPTION	DATE	DWN	APVD
-		SEE SHEET 1	-	-	-

POLARIZATION KEYS

TYPE "A"	TYPE "B"	TYPE "C"	TYPE "D"	TYPE "E"	TYPE "F"
P/N 293602-1 AS SHOWN	P/N 293602-2 AS SHOWN	P/N 293602-3 AS SHOWN	P/N 293602-4 AS SHOWN	P/N 293602-5 AS SHOWN	P/N 293602-6 AS SHOWN
					

THIS DRAWING IS A CONTROLLED DOCUMENT.

DIMENSIONS:
mm



MATERIAL -

TOLERANCES UNLESS OTHERWISE SPECIFIED:

- 0 PLC ±-
- 1 PLC ±0.3
- 2 PLC ±0.20
- 3 PLC ±-
- 4 PLC ±-
- ANGLES ±3°

FINISH -

DWN M. ZUCCA 28OCT2009
 CHK M. ZUCCA 28OCT2009
 APVD G. TURCO 28OCT2009

PRODUCT SPEC 108-20304

APPLICATION SPEC 114-20152

WEIGHT -

Customer Drawing



TE Connectivity

NAME
 SOCKET CONNECTOR PCB
 VERTICAL VERSION
 NECTOR* M-LINE 3 POS. UNSEALED

SIZE CAGE CODE DRAWING NO RESTRICTED TO

A300779 G-293602

SCALE 3:1 SHEET 2 OF 3 REV F

THIS DRAWING IS UNPUBLISHED.

RELEASED FOR PUBLICATION

20

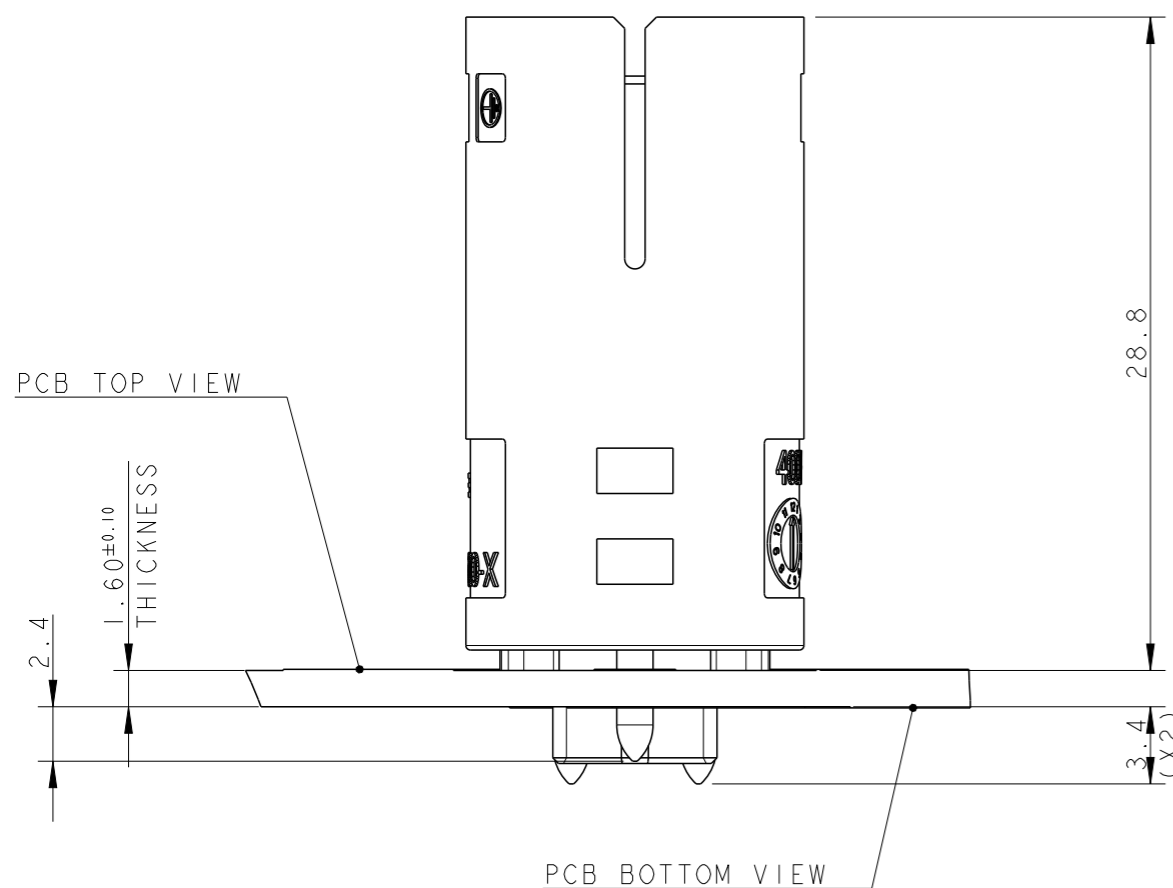
© COPYRIGHT 20 BY -

ALL RIGHTS RESERVED.

LOC 1 DIST -

REVISIONS

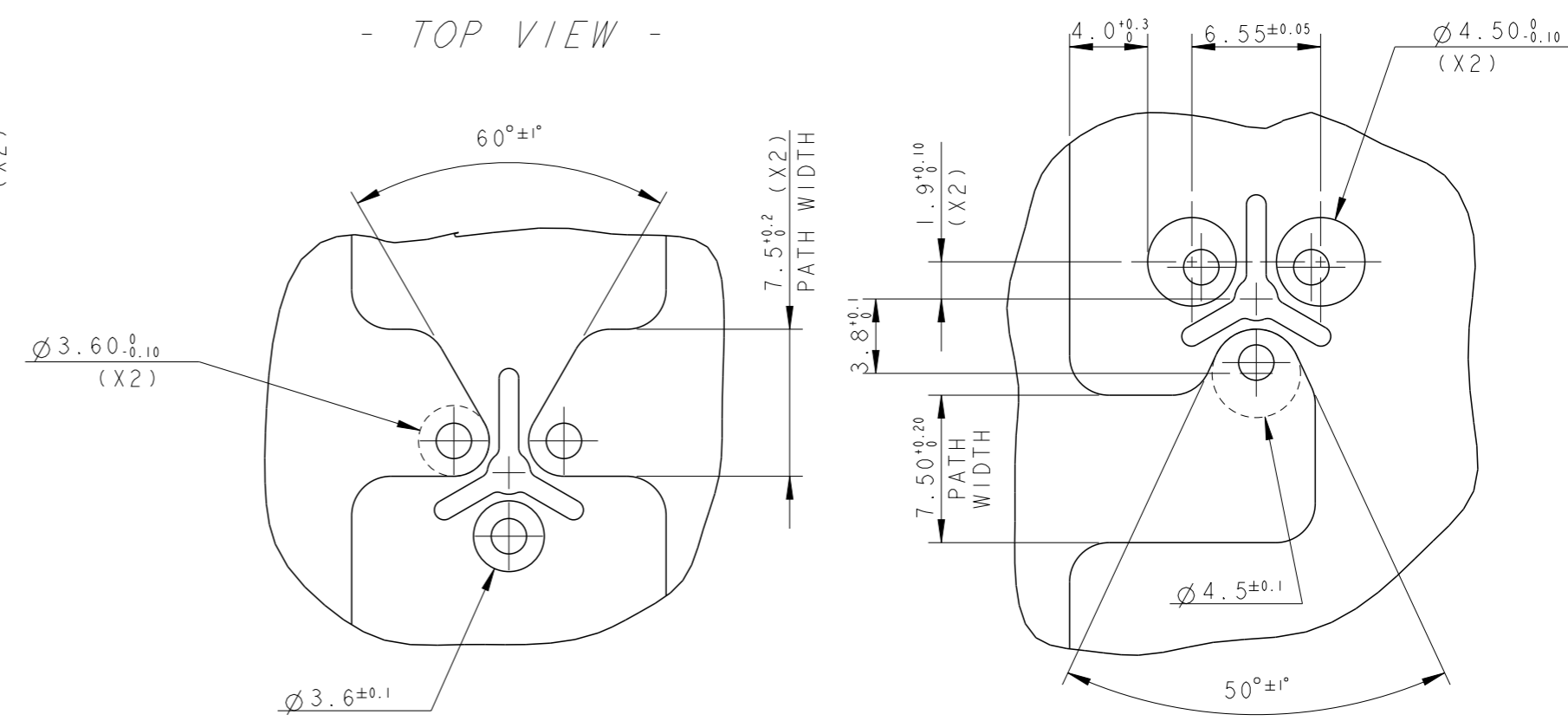
P	LTR	DESCRIPTION	DATE	DWN	APVD
-	-	SEE SHEET 1	-	-	-



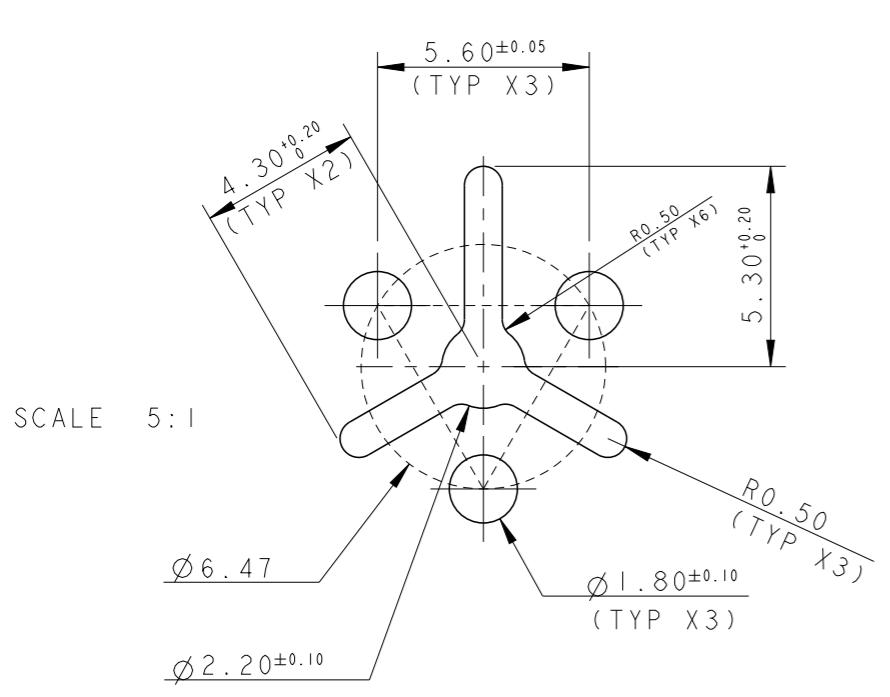
SUGGESTED L, N AND PE TRACKS LAYOUT ON PCB

- BOTTOM VIEW -

- TOP VIEW -



SUGGESTED PCB LAYOUT



THIS DRAWING IS A CONTROLLED DOCUMENT.		DWN M. ZUCCA 28OCT2009	STE TE Connectivity
		CHK M. ZUCCA 28OCT2009	
DIMENSIONS: mm		APVD G. TURCO 28OCT2009	NAME SOCKET CONNECTOR PCB VERTICAL VERSION NECTOR* M-LINE 3 POS. UNSEALED
TOLERANCES UNLESS OTHERWISE SPECIFIED:		PRODUCT SPEC 108-20304	
0 PLC ±-		APPLICATION SPEC 114-20152	SIZE A300779
1 PLC ±0.3		WEIGHT -	CAGE CODE C-293602
2 PLC ±0.20		Customer Drawing	DRAWING NO
3 PLC ±-		SCALE 3:1	RESTRICTED TO
4 PLC ±-		SCALE 3:1	SHEET 3 OF 3
ANGLES ±3°		SCALE 3:1	REV F
FINISH -		SCALE 3:1	REV F