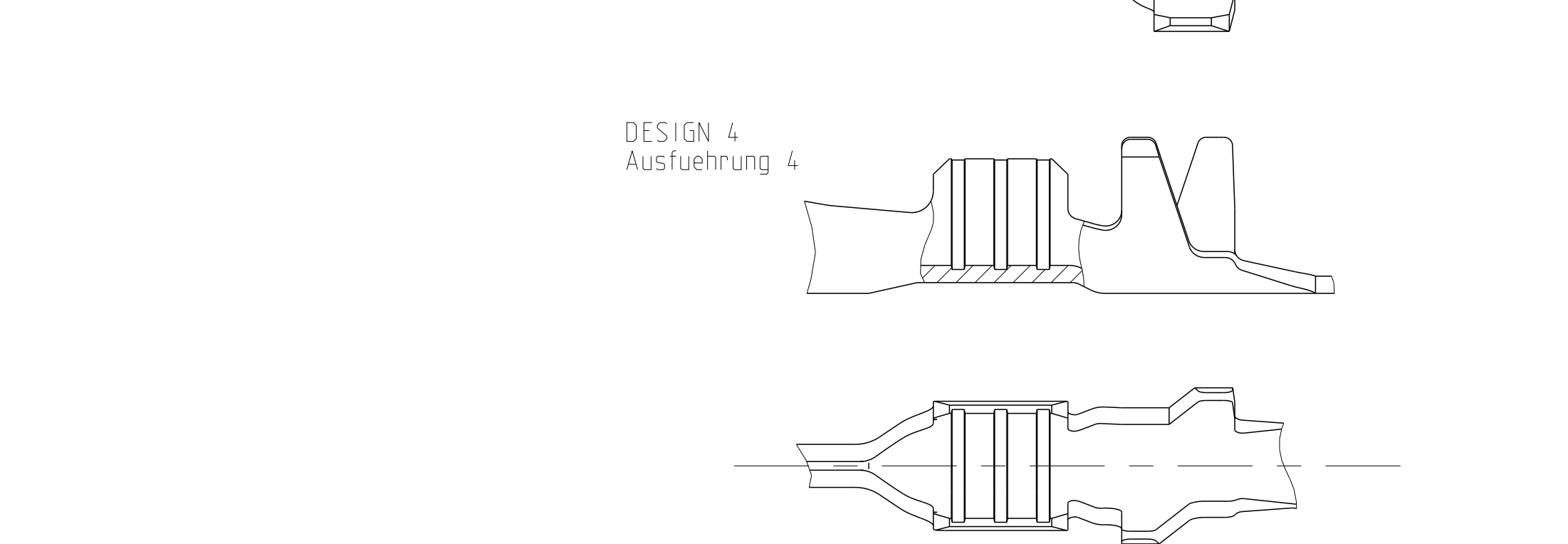
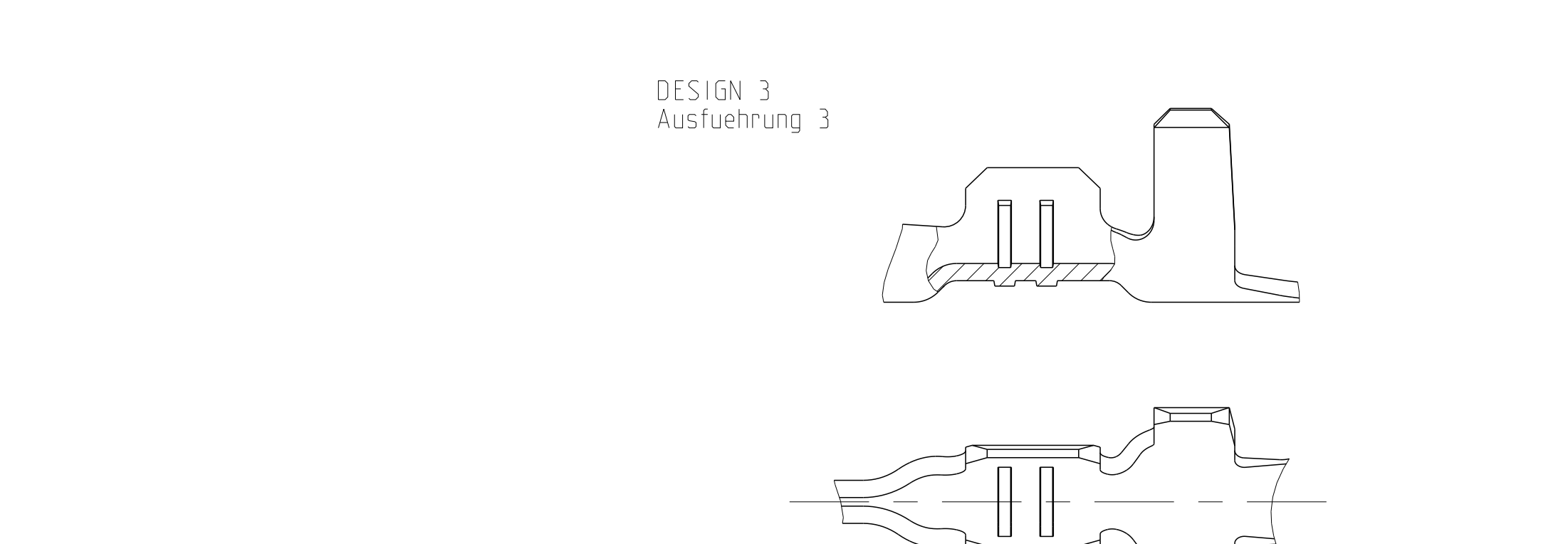
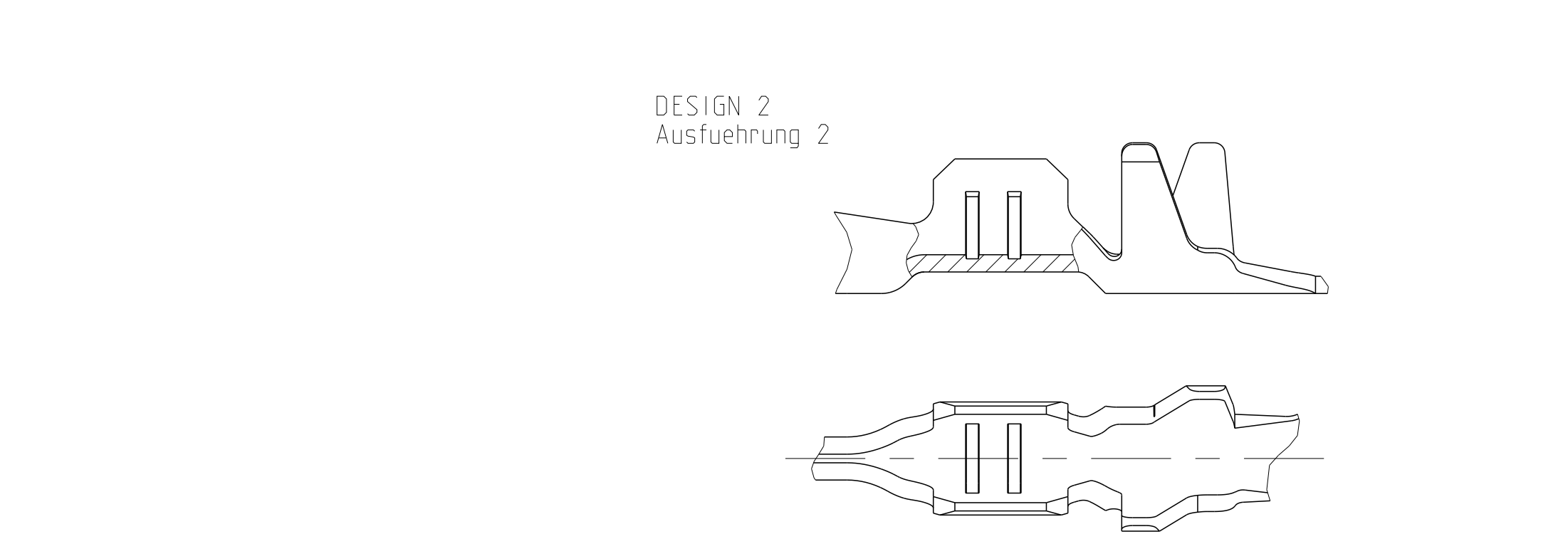
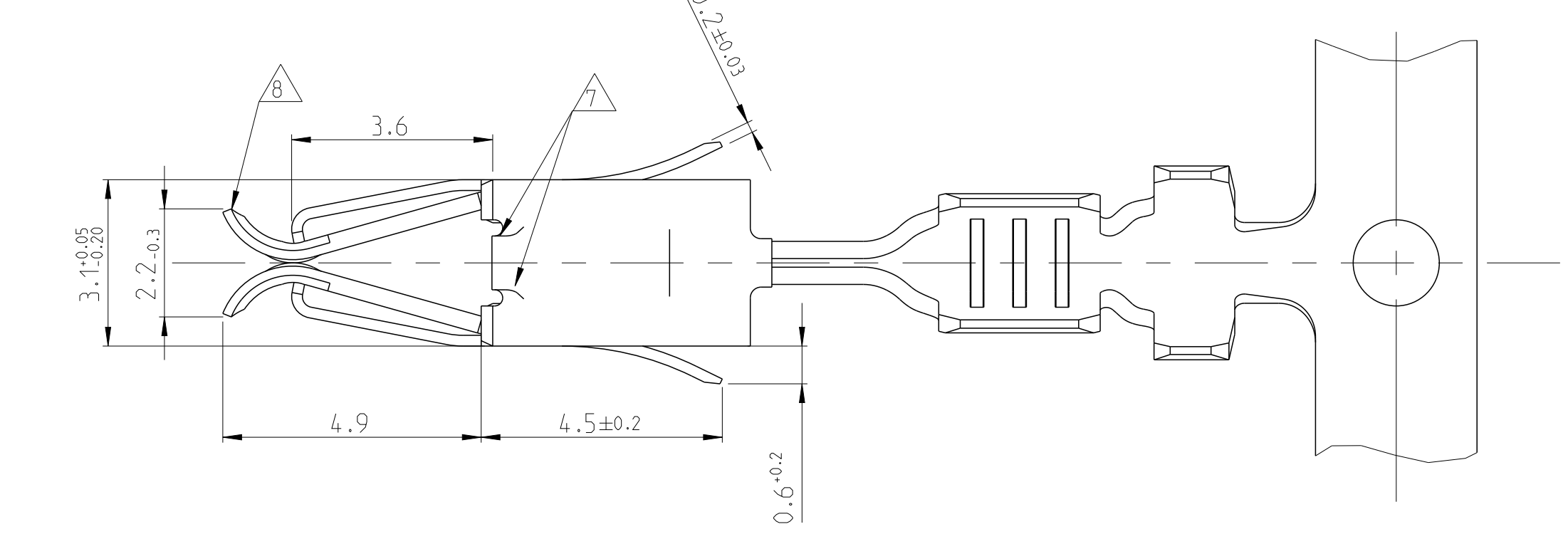
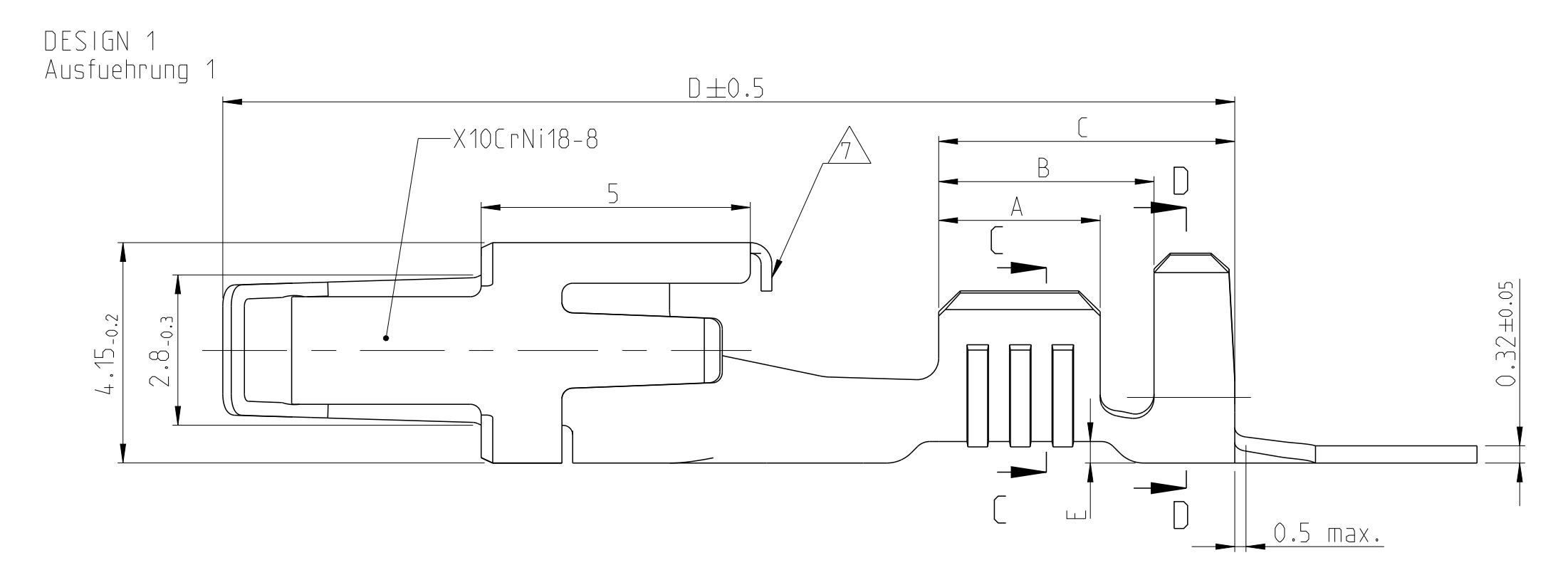
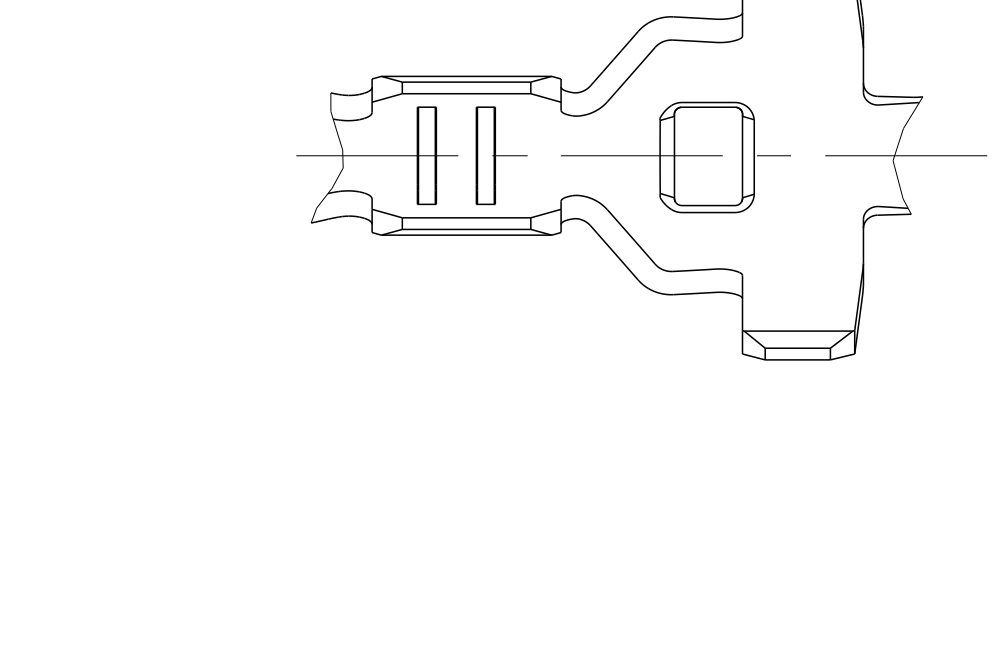
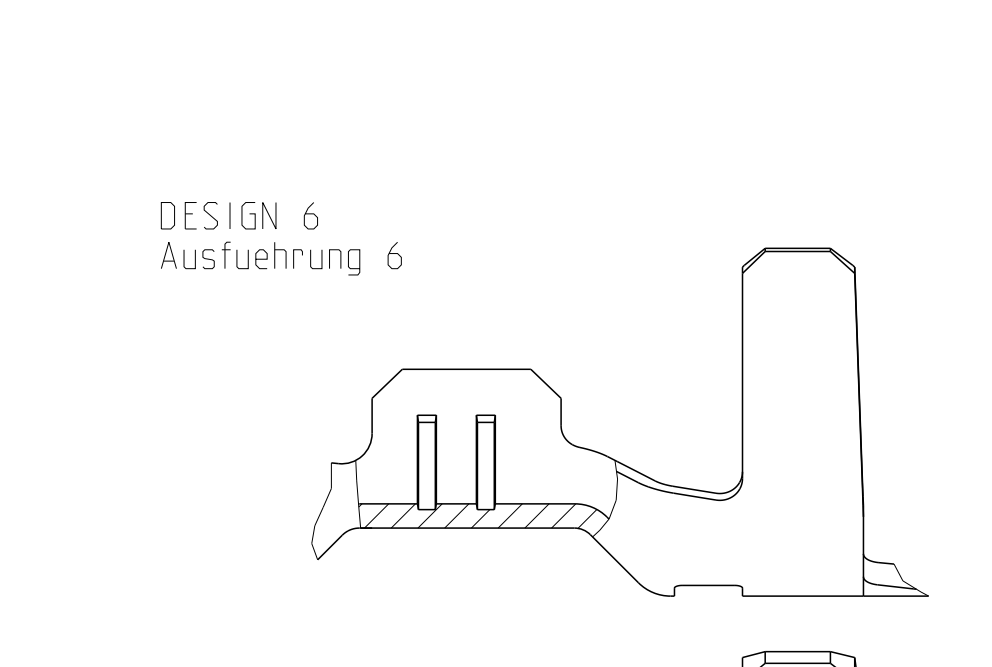
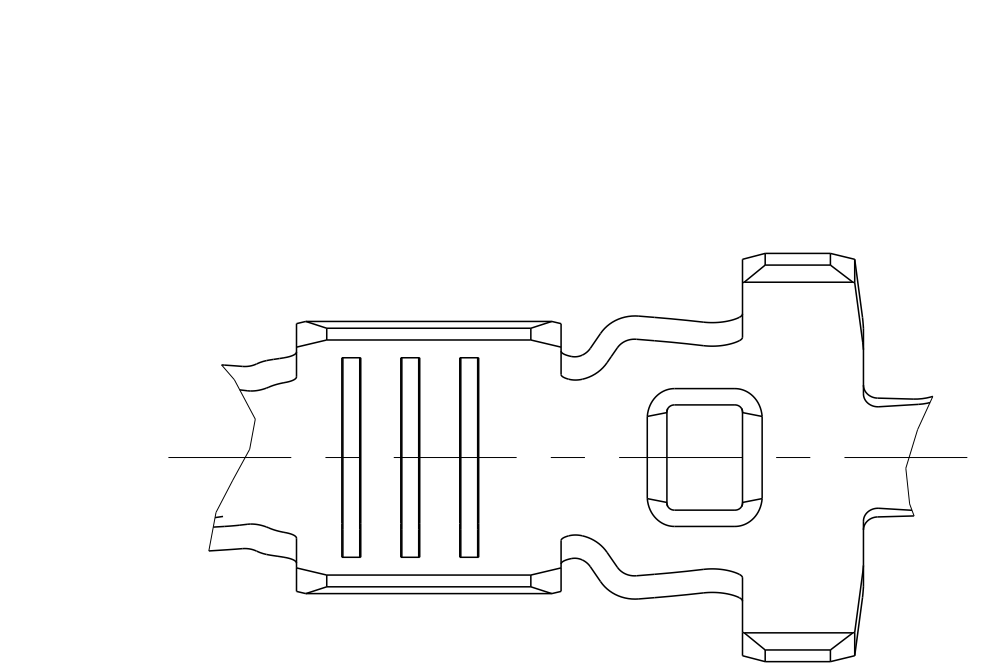
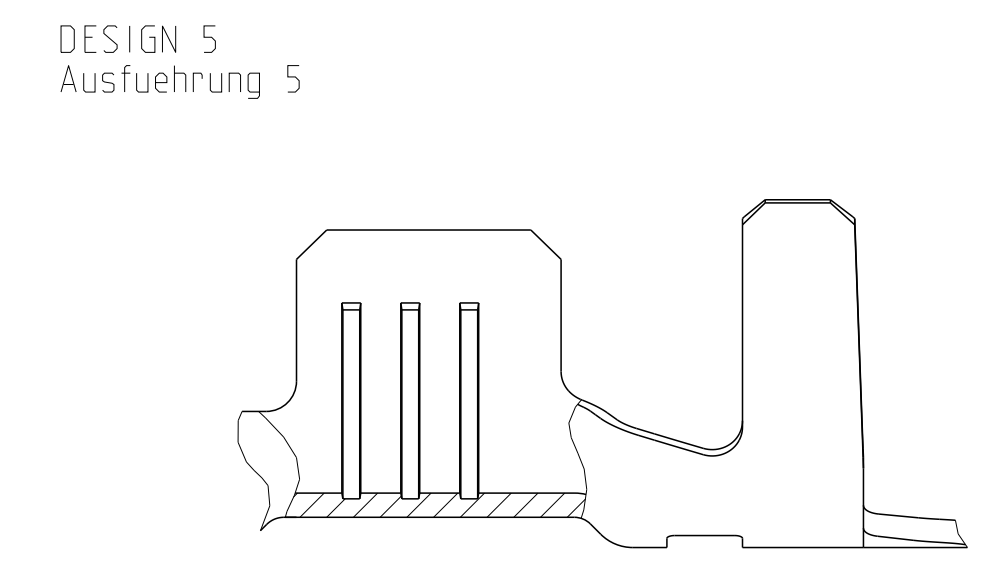
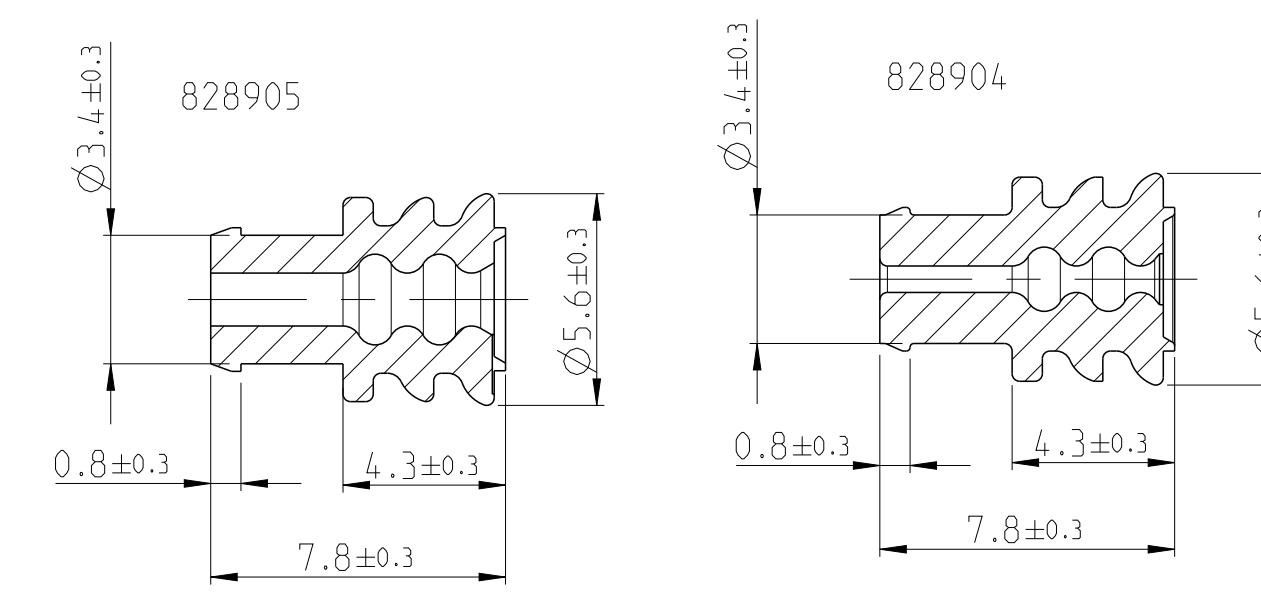


REV.	DESIGN Ausführung	MATERIAL Werkstoff	SURFACE Oberfläche	WIRE RANGE Drahtgrößenbereich (mm ²)	INSULATION Isolations Ø (mm)	STRIP FORM WIRE CRIMP Drahtcrimp-Bandware	INSUL.-CRIMP Iso-Crimp	A	B	C	D	E	CRIMP DATA AND CRIMP TOOL Crimpdaten u. Crimpwerkzeuge
1	A	CuSn4	PRET INNED vorverzinkt min. 0.8 µm	0.5-1.0 FLR	1.4-2.3	E = 2.6 G = 2.8 D _{Dr} = 1.1	H = 3.6 K = 3.9 D = 1.8	3	4	5.5	18.8	0.4	
1	A	CuSn4	PRET INNED vorverzinkt min. 0.8 µm	>1.0-2.5 FLR	2.1-3.1	E = 3.6 G = 3.8 D _{Dr} = 1.8	H = 4.7 K = 4.9 D = 2.6	3.3	4.3	5.8	18.8	0.4	
1	A	CuSn4	PLAIN BLANK	0.5-1.0 FLK	2.0-2.7	E = 2.6 G = 2.8 D _{Dr} = 1.1	H = 3.9 K = 4.1 D = 2.4	3	4	5.5	18.8	0.4	
1	M	CuNi12ZN24	PRET INNED vorverzinkt min. 0.8 µm										
1	M	CuSn4	PRET INNED vorverzinkt min. 0.8 µm	0.5-1.0 FLK	2.0-2.7	E = 2.6 G = 2.8 D _{Dr} = 1.1	H = 3.9 K = 4.1 D = 2.4	3	4	5.5	18.8	0.4	
1	M	CuSn4	PRET INNED vorverzinkt min. 0.8 µm										
1	M	CuFe2	PRET INNED vorverzinkt min. 0.8 µm										
1	A	CuFe2	PRET INNED vorverzinkt min. 1 µm	0.5-1.0 FLR	1.4-2.3	E = 2.6 G = 2.8 D _{Dr} = 1.1	H = 3.6 K = 3.9 D = 1.8	3.0	4.0	5.5	18.8	0.4	
1	A	CuSn4	PRET INNED vorverzinkt min. 1 µm	>1.0-2.5 FLR	2.1-3.1	E = 3.6 G = 3.8 D _{Dr} = 1.8	H = 4.7 K = 4.9 D = 2.6	3.3	4.3	5.8	18.8	0.4	
1	N	CuSn4	PRET INNED vorverzinkt min. 1 µm	>1.0-2.5 FLK	2.7-4.1	E = 3.6 G = 3.8 D _{Dr} = 1.8	H = 5.5 K = 5.8 D = 3.6	3.3	4.3	5.8	18.8	0.4	
1	R	CuSn4											
1	R	CuFe2											
1	P	CuSn4		>1.0-2.5 FLR	2.1-3.1	E = 3.6 G = 3.8 D _{Dr} = 1.8	H = 4.7 K = 4.9 D = 2.6	3.3	4.3	5.8	18.8	0.4	
1	P	CuSn4											
1	P	CuFe2	PRET INNED vorverzinkt min. 1 µm										
1	A	CuSn4											
1	N	CuSn4											
1	N	CuFe2											
1	N	CuSn4											
1	M	CuSn4											
1	M	CuSn4											
1	M	CuFe2	PRET INNED vorverzinkt min. 1 µm										
1	C	CuSn4											
1	C	CuFe2											
1	B	CuSn4		0.2-0.5 FLR	1.0-1.6	E = 2.1 G = 2.1 D _{Dr} = 0.8	H = 2.7 K = 2.8 D = 1.4	2.5	3.5	5.6	18.8	0.4	
1	B	CuSn4	PRET INNED vorverzinkt min. 1 µm										
1	B	CuFe2											
2	B	CuFe2	PRET INNED vorverzinkt min. 1 µm	0.08-0.2 Sonderleitung	1.5-1.8	E = 1.7 G = 1.7 D _{Dr} = 0.6	H = 3.1 K = 3.2 D = 1.6	2.5	3.7	5.9	18.8	0.4	
3	A	CuSn4	PRET INNED vorverzinkt min. 0.8 µm	0.2-0.5 FLR	1.2-2.3	E = 2.1 G = 2.1 D _{Dr} = 0.8	H = 3.5 K = 3.6 D = 2.0	2.5	3.5	5	18.8	0.4	
3	C	CuSn4	PRET INNED vorverzinkt min. 0.8 µm	0.2-0.5 FLK	1.2-2.3	E = 2.1 G = 2.1 D _{Dr} = 0.8	H = 3.5 K = 3.6 D = 2.0	2.5	3.5	5	18.8	0.4	
3	C	CuFe2											
4	A	CuSn4	PLAIN BLANK	0.2-0.5 FLR	1.15-1.6	E = 2.4 G = 2.3 D _{Dr} = 1	H = 2.9 K = 2.9 D = 1.4	2.5	3.5	5.6	18.8	0.2	
5	E	CuSn4											
5	E	CuFe2		>1.0-2.5 FLK	2.7-3.0	E = 3.6 G = 3.8 D _{Dr} = 1.8	H = 5.4 K = 4.6 D = 3.2	3.5	5.9	7.5	18.8	0.4	
5	D	CuSn4	PRET INNED vorverzinkt min. 1 µm										
5	D	CuFe2											
5	E	CuSn4											
5	E	CuFe2											
5	E	CuSn4	PRET INNED vorverzinkt min. 1 µm	>1.0-2.5 FLR	2.7-3.0	E = 3.6 G = 3.8 D _{Dr} = 1.8	H = 5.4 K = 4.6 D = 3.2	3.5	5.9	7.5	21	0.4	
5	E	CuFe2											
5	E	CuSn4											
5	E	CuFe2											
5	E	CuSn4	PRET INNED vorverzinkt min. 1 µm	0.5-1.0 FLR	1.4-2.1	E = 2.6 G = 2.8 D _{Dr} = 1.1	H = 5.4 K = 4.6 D = 3.2	3	5.4	7	21	0.6	
5	E	CuFe2											
5	F	CuSn4											
5	F	CuFe2											
5	F	CuSn4	PRET INNED vorverzinkt min. 1 µm	0.5-1.0 FLR	1.4-2.1	E = 2.6 G = 2.8 D _{Dr} = 1.1	H = 5.4 K = 4.6 D = 3.2	3	5.4	7	18.8	0.6	
5	F	CuFe2											
6	E	CuSn4											
6	E	CuFe2											
6	D	CuSn4		0.2-0.5 FLR	1.15-1.6	E = 2.1 G = 2.1 D _{Dr} = 0.8	H = 5.4 K = 4.6 D = 3.2	2.5	4.9	6.5	21	0.9	
6	D	CuFe2	PRET INNED vorverzinkt min. 1 µm										
6	D	CuSn4											
6	D	CuFe2											
6	D	CuSn4	PRET INNED vorverzinkt min. 1 µm	0.2-0.5 FLR	1.15-1.6	E = 2.1 G = 2.1 D _{Dr} = 0.8	H = 5.4 K = 4.6 D = 3.2	2.5	4.9	6.5	18.8	0.9	
6	D	CuFe2											
6	C	CuSn4	PRET INNED vorverzinkt min. 1 µm										
6	C	CuFe2											

SEE APPLICATION - SPECIFICATION
 siehe Verarbeitungspezifikation
 114-18050



ORDER No. Bestell-Nr.	INSULATION Isolations Ø	COLOUR Farbe
828904-1	1.2-2.1	blue blau
828905-1	2.2-3.0	white weiss



NOTES

- Bemerkungen
- 1 CONTACT BODY PRE-SILVER PLATED MIN. 0.8 µm
 Kontaktkoerper vorversilbert min. 0.8 µm
 CONTACT ZONE SELECTIVE PRE-SILVER PLATED MIN. 3 µm
 Kontaktzone selektiv vorversilbert min. 3 µm
 - 2 CONTACT ZONE GOLD PLATED MIN. 0.8 µm OVER MIN. 1.3 µm NICKEL-LAYER
 Kontaktzone vergoldet min. 0.8 µm ueber min. 1.3 µm Nickel-Zwischenschicht
 CRIMP AREA MIN. 1 µm TIN PLATED OVER NICKEL-LAYER
 Crimpbereich min. 1 µm verzinkt ueber Nickel-Zwischenschicht
 - 3 CANTILEVER SPRING INSIDE AND OUTSIDE 0.4-1.2 µm GOLD PLATED
 Ueberfeder innen und aussen 0.4-1.2 µm vergoldet
 - 4 CONTACT BODY, CONTACT SPRING INSIDE AND CRIMP AREA MIN. 1 µm TIN PLATED OVER NICKEL-LAYER.
 TOUCHING AREA TO CANTILEVER SPRING AND CONTACT SPRING OUTSIDE
 SELECTIVE 0.8 µm GOLD OVER MIN. 1.3 µm NICKEL-LAYER
 Kontaktkoerper, Kontaktfeder innen und Crimpbereich min. 1.3 µm verzinkt ueber Nickel-Zwischenschicht, Anlageflaeche zur Ueberfeder und Kontaktfeder aussen selektiv 0.8 µm vergoldet ueber min. 1 µm Nickel-Zwischenschicht
 - 5 CONTACT ZONE AND TOUCHING AREA TO CANTILEVER SPRING MIN. 0.8 µm SELECTIVE GOLD PLATED OVER 1.3 µm NICKEL PLATED. CRIMP AREA MIN. 1 µm TIN PLATED OVER NICKEL-LAYER
 Kontaktzone und Anlageflaeche zur Ueberfeder min. 0.8 µm vergoldet ueber min. 1.3 µm Nickel-Zwischenschicht Crimpbereich min. 1 µm verzinkt ueber Nickel-Zwischenschicht
 - 6 CONTACT BODY AND CRIMP AREA MIN. 1 µm TIN PLATED OVER NICKEL-LAYER.
 TOUCHING AREA TO CANTILEVER SPRING SELECTIVE 0.8 µm GOLD OVER MIN. 1.3 µm NICKEL-LAYER
 Kontaktkoerper und Crimpbereich min. 1 µm verzinkt ueber Nickel-Zwischenschicht, Anlageflaeche zur Ueberfeder selektiv 0.8 µm vergoldet ueber min. 1.3 µm Nickel-Zwischenschicht
 - 7 CONTACT OFF OPTIONAL
 Abschnitt/Freischchnitt optional
 - 8 SAWAG ONLY FOR PN 929937, 929939, 929941
 Swage nur fuer PN 929937, 929939, 929941
 - 9 VARIANTS WITH GAP-SIZE 0.3mm (±0.1)
 Varianten mit Gap-Size 0.3mm (±0.1)
 - 10 CONTACTS DIPPED IN OR SPRAYED WITH LUBRICANT BARRIERTA
 Kontakte getaucht oder besprueht mit Lubricant Barrierta
 - 11 ACCORDING INSULATION DIA IS TO CHOOSE THE SINGLE WIRE SEAL
 Entsprechend dem Isolationsdurchmesser ist die Einzel-Dichtung auszuwaehlen
 - 12 VARIANTS WITH GAP-SIZE 0.65mm (-0.1)
 Varianten mit Gap-Size 0.65mm (-0.1)
 - 13 VARIANTS WITH GAP-SIZE 0.15mm (-0.05)
 Varianten mit Gap-Size 0.15mm (-0.05)

