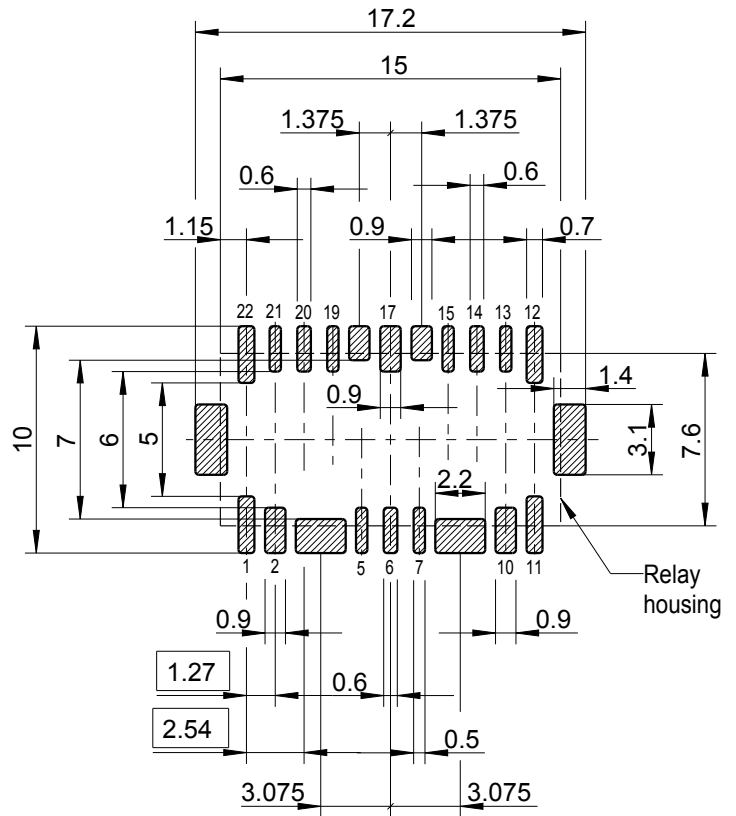
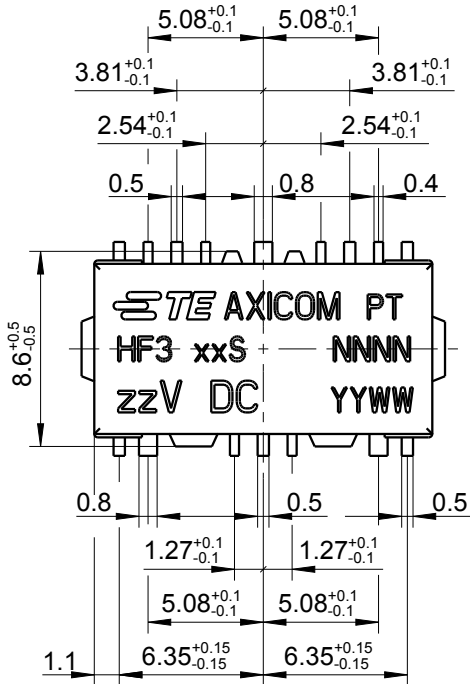
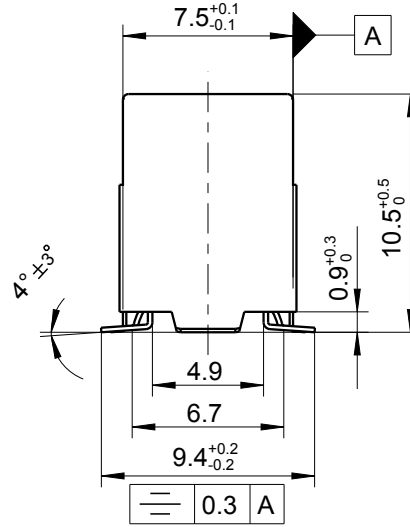
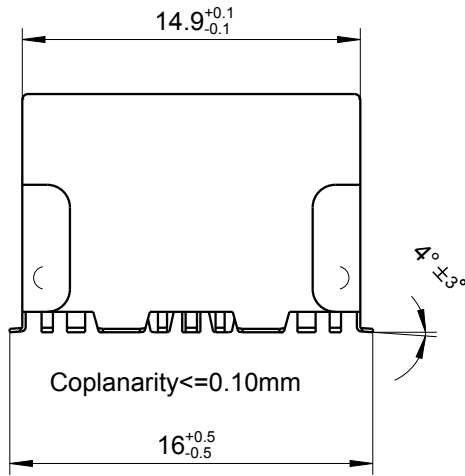


LOC	DIST	REVISIONS					
		P	LTR	DESCRIPTION	DATE	DWN	APVD
HJ	-		E	New Coplanarity, Solder Pad Layout	15JAN2010	UKo	HD
			F	Printing	09JUL2010	UKo	HD
			F1	REVISED PER ECO-11-005150	25MAR2011	UKo	AK
			F2	REVISED PER ECO-13-009645	18JUN2013	UKo	AK



XX = Relay type
 zz = nominal voltage
 YYWW = Date code
 NNNN = Lot number


2006

RELEASED FOR PUBLICATION

ALL RIGHTS RESERVED.

THIS DRAWING IS UNPUBLISHED.

© COPYRIGHT 2006 BY TE Connectivity

DIMENSIONS: mm	DWN	UKo 9193	06NOV2006	MATERIAL	-	FINISH	-
	CHK	HD 9121	06NOV2006	 TE Connectivity			
TOLERANCES UNLESS OTHERWISE SPECIFIED: DIN 7168-m	APVD	HD 9121	06NOV2006				
0 PLC ±-	PRODUCT SPEC	-		NAME			
1 PLC ±-		-		HF3-Relay metal cover 75Ω			
2 PLC ±-		-		Dimensions			
3 PLC ±-	APPLICATION SPEC	-		SIZE	CAGE CODE	DRAWING NO	RESTRICTED TO
4 PLC ±-		-		A4	00779	C-1462050-3	-
ANGLES ±-	WEIGHT	-		CUSTOMER DRAWING			
				SCALE	3:1	SHEET	1 OF 1
						REV	F2