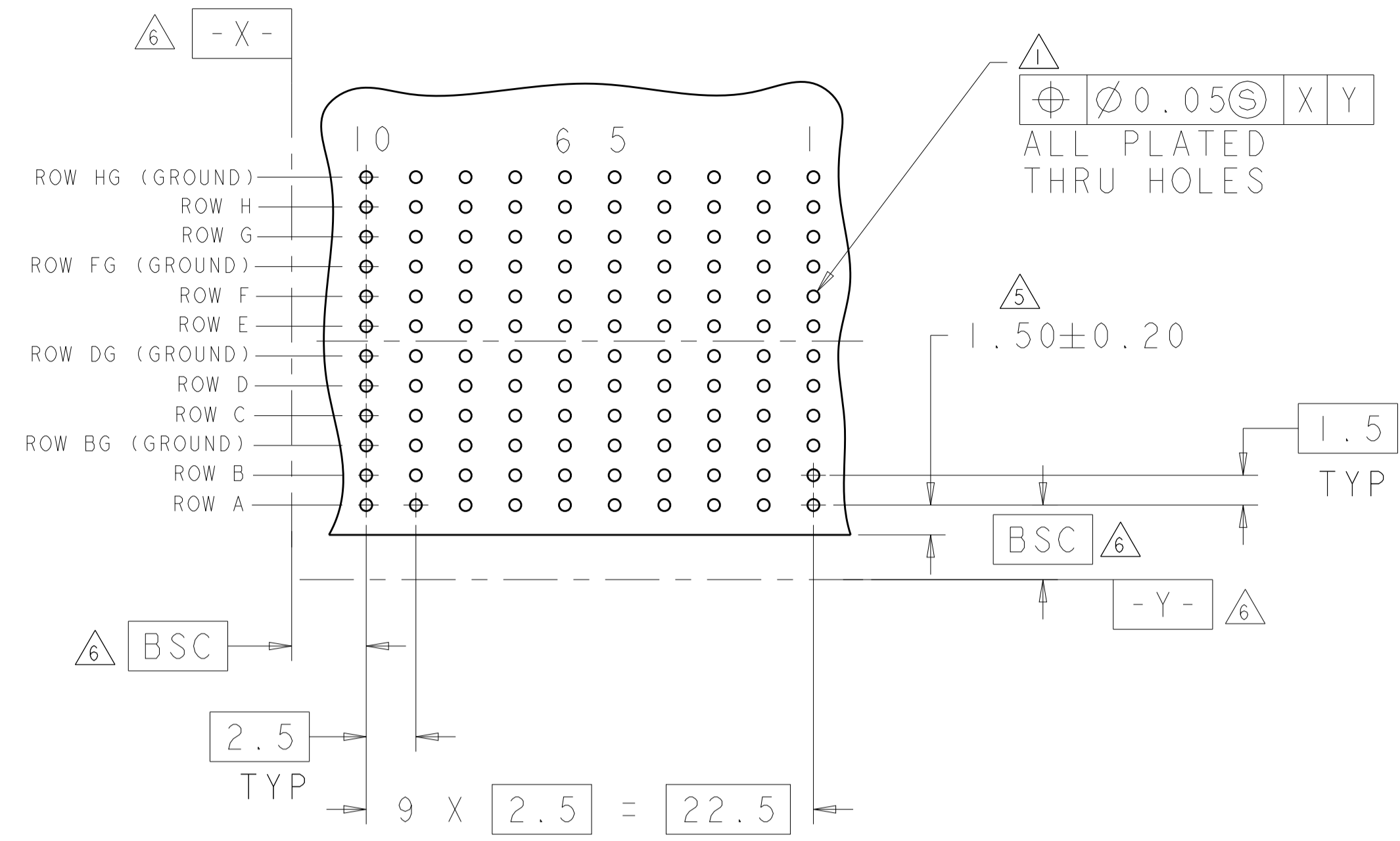
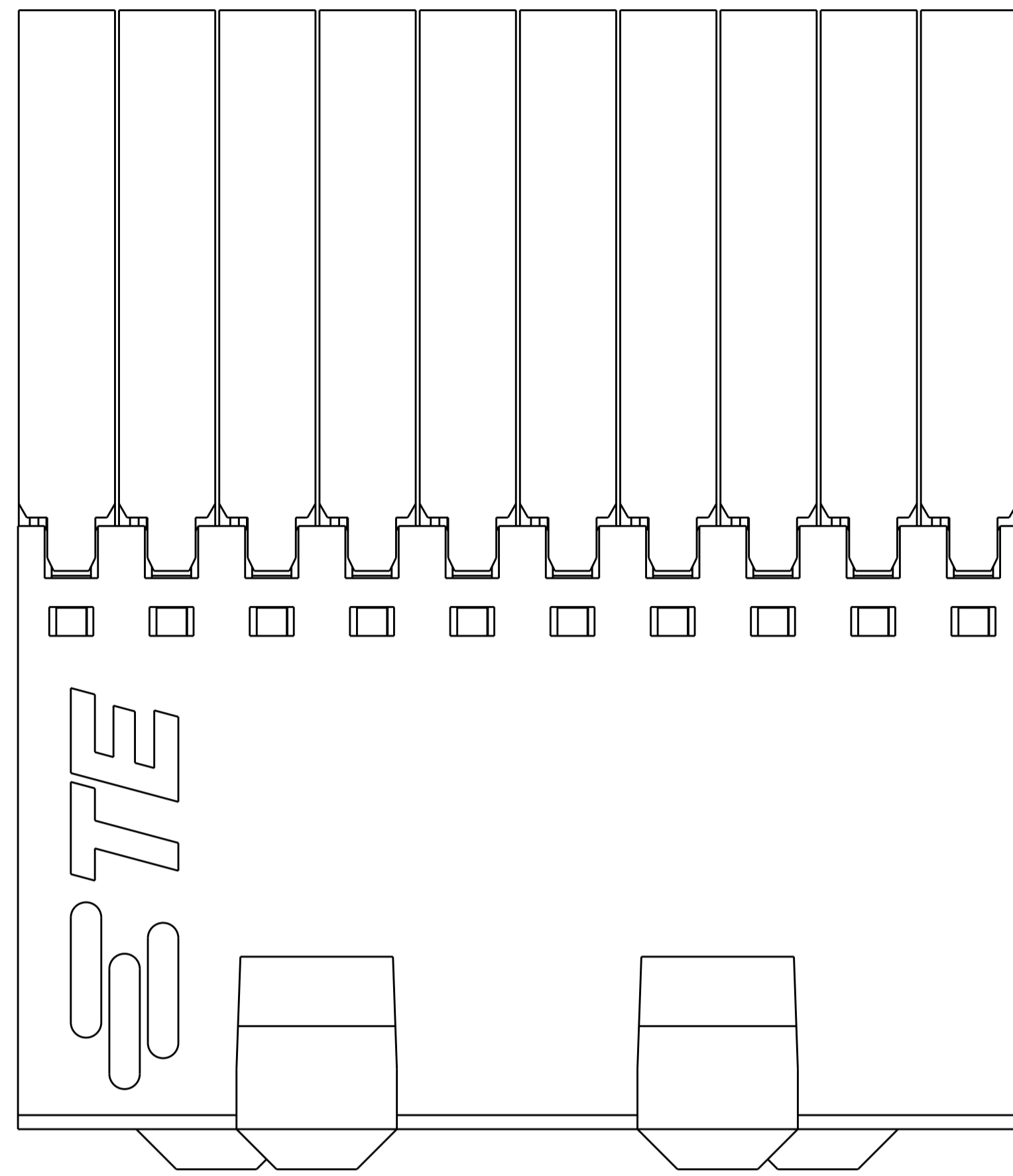
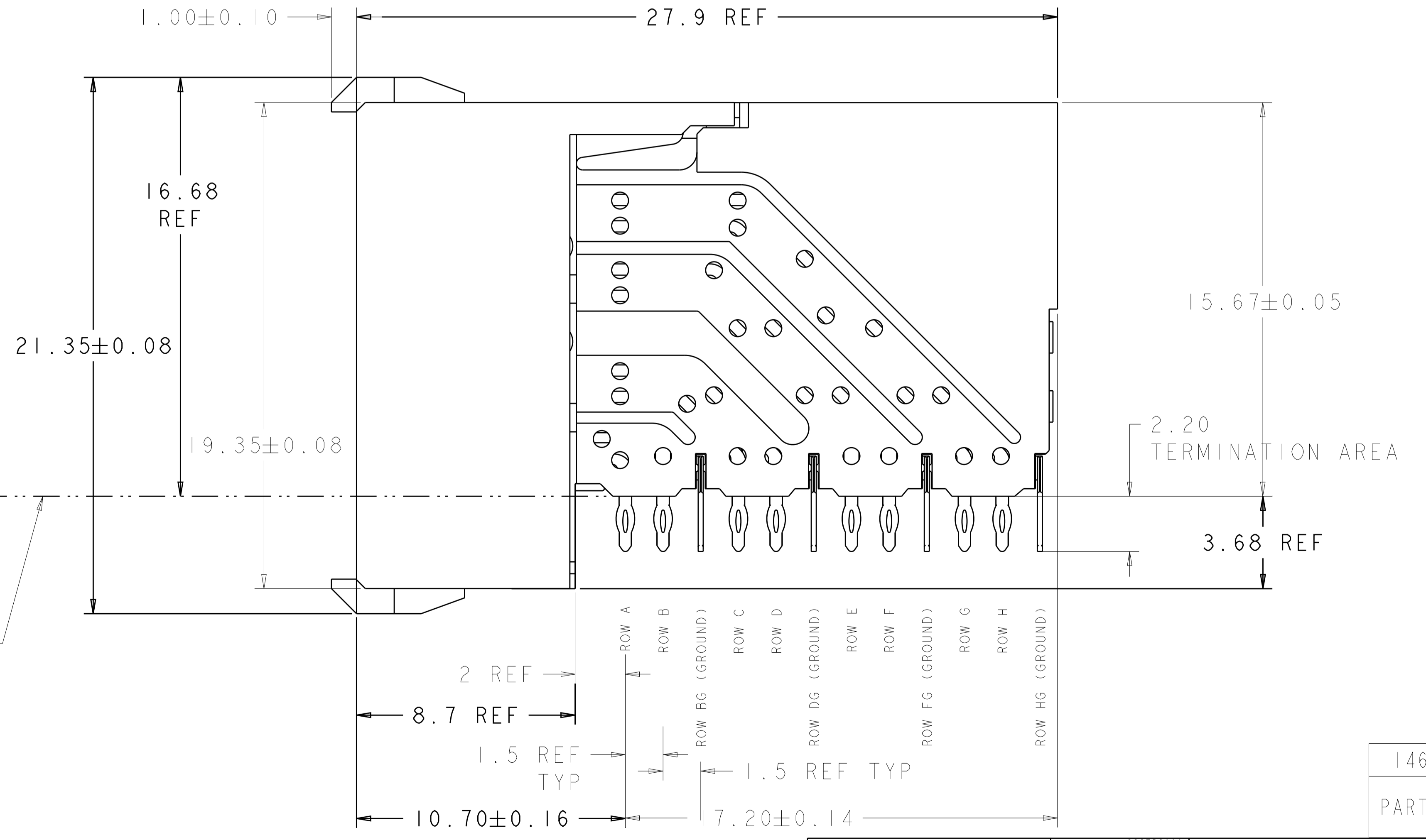
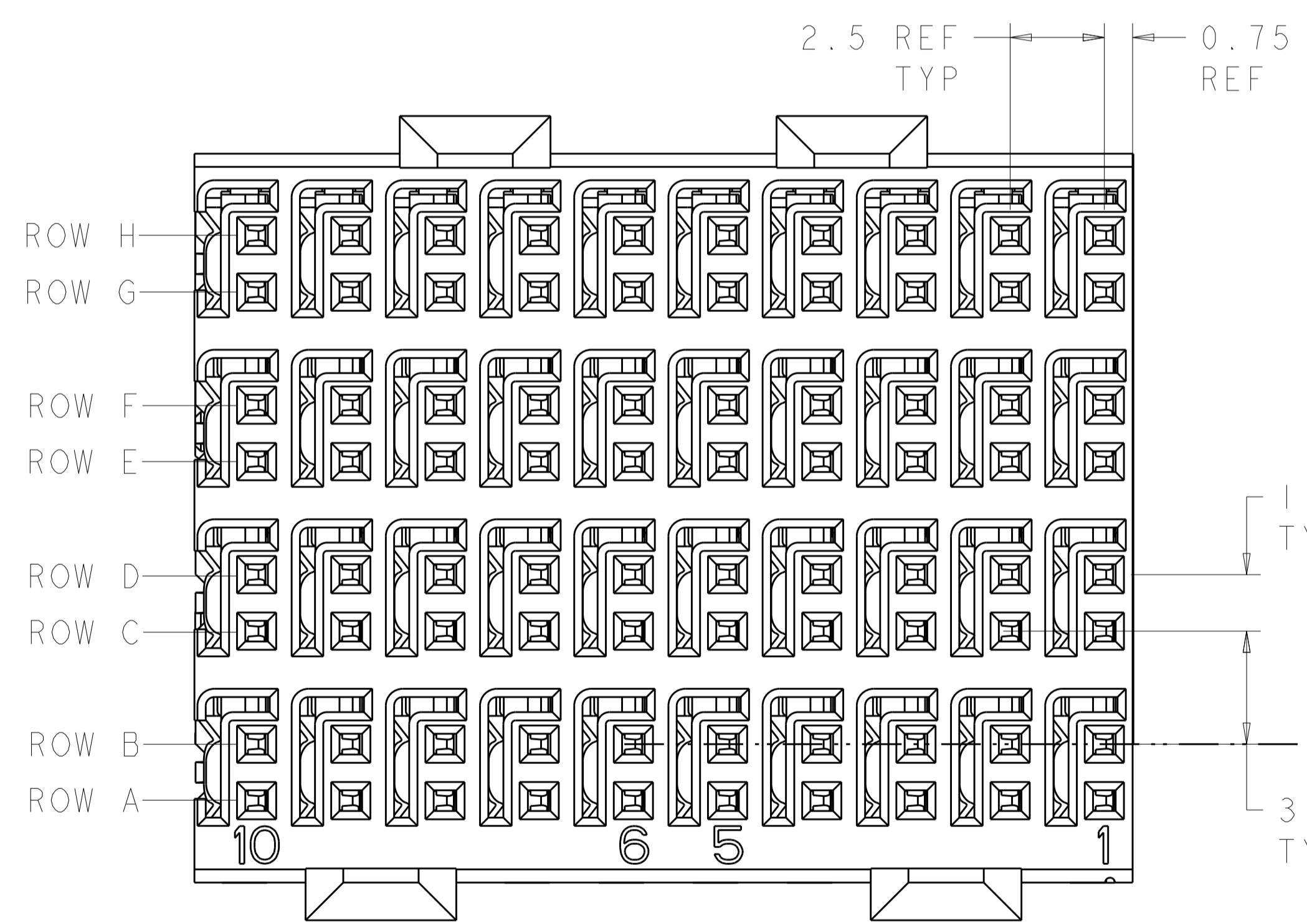


REVISIONS				
P.	LTN.	DESCRIPTION	DATE	APPROV.
G		REVISED PER ECO-14-005095	11APR2014	AP RP
H		REVISED PER ECO-16-008845	21SEP2016	AP RP

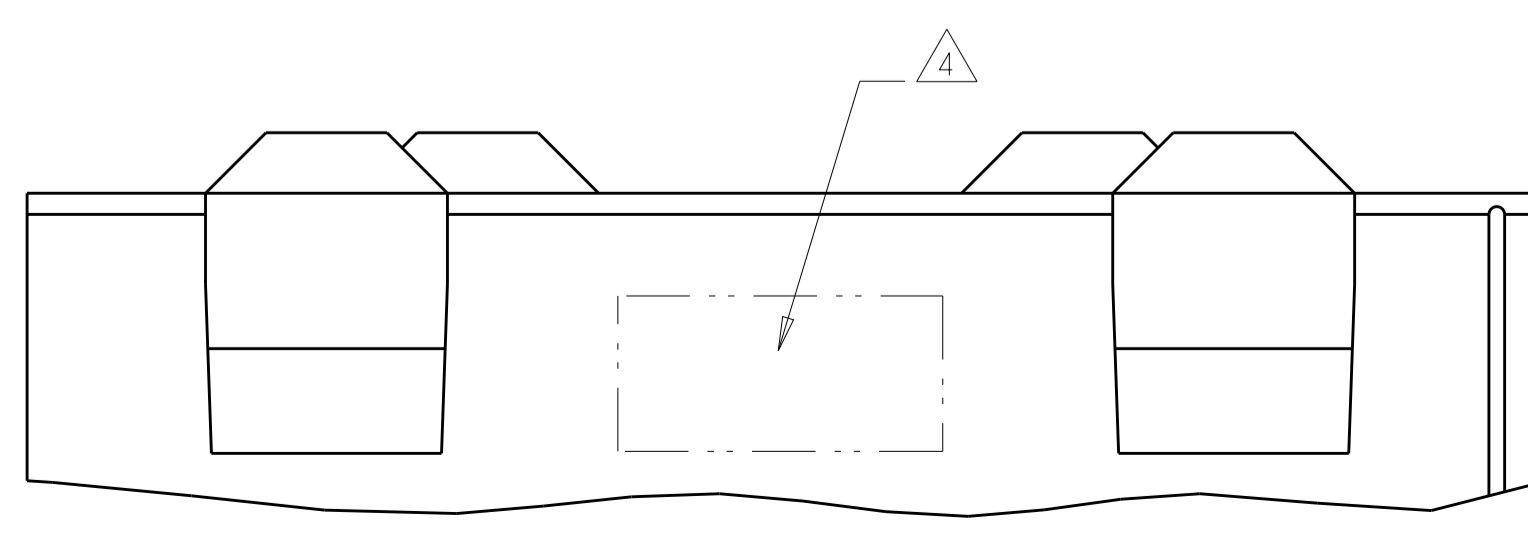


- 1. REFERENCE APPLICATION SPEC 114-13059 FOR RECOMMENDED PLATED THRU HOLE DIAMETER AND PLATING THICKNESSES.
- 2. MATERIAL:  
 SHIELD - PHOSPHOR BRONZE  
 CONTACT - COPPER-NICKEL-SILICON  
 HOUSING, CHICKLET AND CHICKLET COVER - GLASS FILLED POLYESTER, UL 94V-0 RATED.
- 3. FINISH: SIGNAL AND GROUND CONTACTS:  
 MATING AREA: MEETS THE PERFORMANCE REQUIREMENTS OF PRODUCT SPECIFICATION 108-2055; BASED ON TELCORDIA GR-1217-CORE, APPLICATIONS IN UNCONTROLLED ENVIRONMENTS  
 COMPLIANT PIN AREA: 0.5µm MIN BRIGHT TIN-LEAD OVER BASE PLATING
- 4. CONNECTOR MARKED WITH PART NUMBER AND DATE CODE IN APPROXIMATE AREA SHOWN
- 5. DIMENSION APPLIES TO CENTERLINE OF THRU HOLE.
- 6. DATUMS AND BASIC DIMENSIONS ESTABLISHED BY CUSTOMER.
- 7. CONTACT AREA LUBRICATED WITH BELLCORE APPROVED LUBRICANT. TECHNICAL REFERENCE: GR-1217-CORE, ISSUE 1, NOVEMBER 1995.

RECOMMENDED PC BOARD LAYOUT, DAUGHTER BOARD, COMPONENT SIDE SHOWN  
 SCALE 4:1



TOP SURFACE OF DAUGHTER CARD



1469001-1  
 PART NUMBER

THIS DRAWING IS A CONTROLLED DOCUMENT.		OWN: S. KLINE/LAM 28SEP2000	TE Connectivity
DIMENSIONS: mm		CHK: S. KLINE 28SEP2000	
TOLERANCES UNLESS OTHERWISE SPECIFIED:		APVD: S. KLINE 28SEP2000	NAME: RECEPTACLE ASSEMBLY, 4 PAIR, HMZd PRODUCT SPEC: - APPLICATION SPEC: -
0 PLC #+ 1 PLC #+ 2 PLC #+ 3 PLC #+ 4 PLC #+ ANGLES #+		SIZE: A100779 CAGE CODE: C=1469001 DRAWING NO: -	
MATERIAL: 2		FINISH: 3	WEIGHT: - CUSTOMER DRAWING: - SCALE: 8:1 SHEET 1 OF 1 REV H