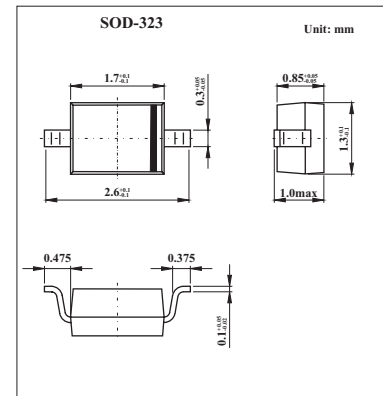


Silicon Epitaxial Planar Diode

ZDV214

■ Features

- High Capacitance Ratio : $C_{2V}/C_{25V}=6.5$ (Typ.)
- Low Series Resistance : $r_s=0.4 \Omega$ (Typ.)
- Excellent C-V Characteristics, and Small Tracking Error.
- Useful for Small Size Tuner.

■ Absolute Maximum Ratings $T_a = 25^\circ\text{C}$

| Parameter | Symbol | Value | Unit |
|---------------------------|-----------|-------------------------|------------------|
| Reverse Voltage | V_R | 32 | V |
| Peak Reverse Voltage | V_{RM} | 35 ($R_L=10K \Omega$) | V |
| Junction Temperature | T_j | 125 | $^\circ\text{C}$ |
| Storage Temperature Range | T_{stg} | -55 to +125 | $^\circ\text{C}$ |

■ Electrical Characteristics $T_a = 25^\circ\text{C}$

| Parameter | Symbol | Conditions | Min | Typ | Max | Unit |
|-------------------|------------------|--|-------|-----|-------|----------|
| Reverse Voltage | V_R | $I_R = 1 \mu\text{A}$ | 30 | | | V |
| Reverse Current | I_R | $V_R = 28 \text{V}$ | | | 10 | nA |
| Capacitance | C_{2V} | $f = 1 \text{MHz}; V_R = 2 \text{V}$ | 14.16 | | 16.25 | pF |
| | C_{25V} | $f = 1 \text{MHz}; V_R = 25 \text{V}$ | 2.11 | | 2.43 | |
| Capacitance Ratio | C_{2V}/C_{25V} | | 5.9 | 6.5 | 7.15 | |
| Series Resistance | r_s | $V_R = 5 \text{V}, f = 470 \text{MHz}$ | | 0.4 | 0.55 | Ω |

Note :

Available in matched group for capacitance to 2.5%.

$$\frac{C(\text{Max.})-C(\text{Min.})}{C(\text{Min.})} \leq 0.025$$

■ Marking

| | |
|---------|----|
| Marking | UO |
|---------|----|