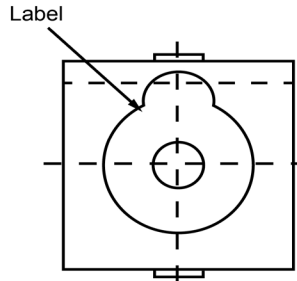
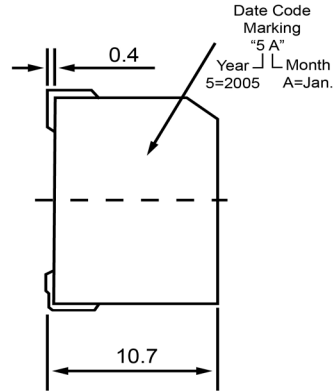


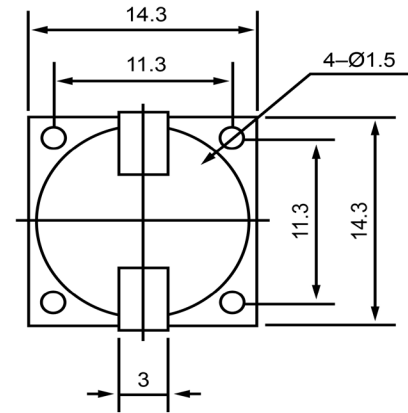
TOP VIEW




SIDE VIEW



BOTTOM VIEW



Specifications			Notes	Revision History					
Description	Value	Unit		Version	Description	Date	Approved		
Technology	Piezo		1) All dimensions are in mm unless otherwise noted 2) All parts meet RoHS 	1	Released from Engineering	10/21/2013	J.S		
Resonant Frequency	3,300	(Hz)							
Rated Voltage	5	(V)							
SPL @ 10cm	80	(dBA)							
Capacitance	15,000	(pF)							
Mount Type	Surface Mount								
Voltage Range	1 ~ 20	(V)							
Max Rated Current	5	(mA)							
Housing Material	PPS								
Operating Temperature	-20 ~ +70	°C							
Storage Temperature	-20 ~ +70	°C							
Weight	2	(g)							
				Piezo Transducer		TP143305-1			
				Drawn by	Date	Checked by	Date	Approved by	Date
				A.B.	10/21/2013	C.E.	10/21/2013	J.S	10/21/2013