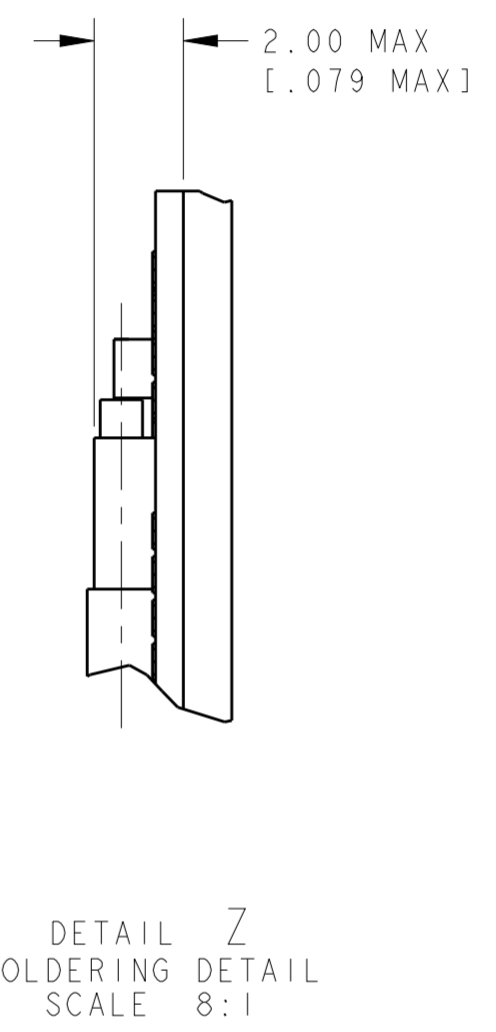
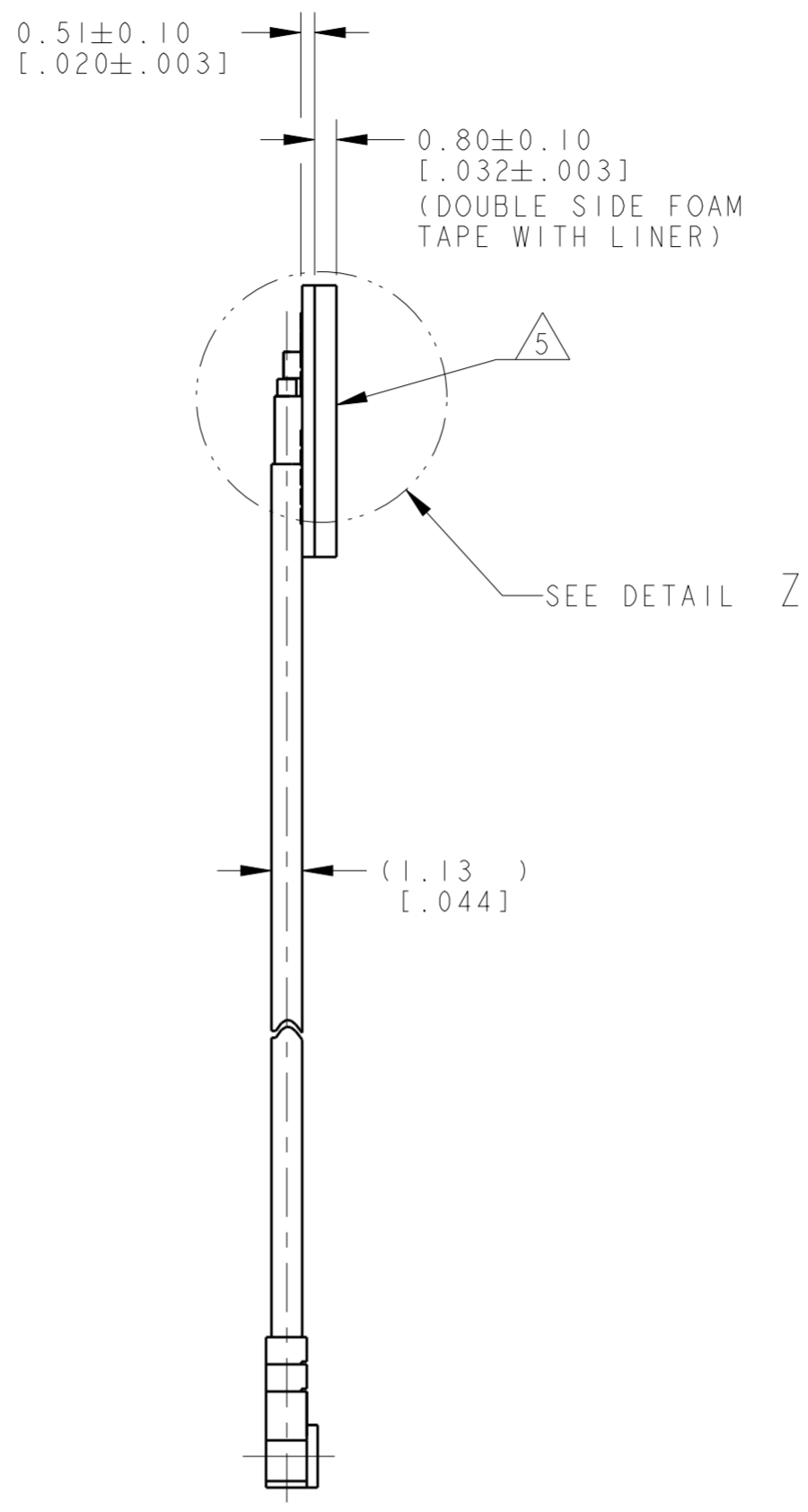
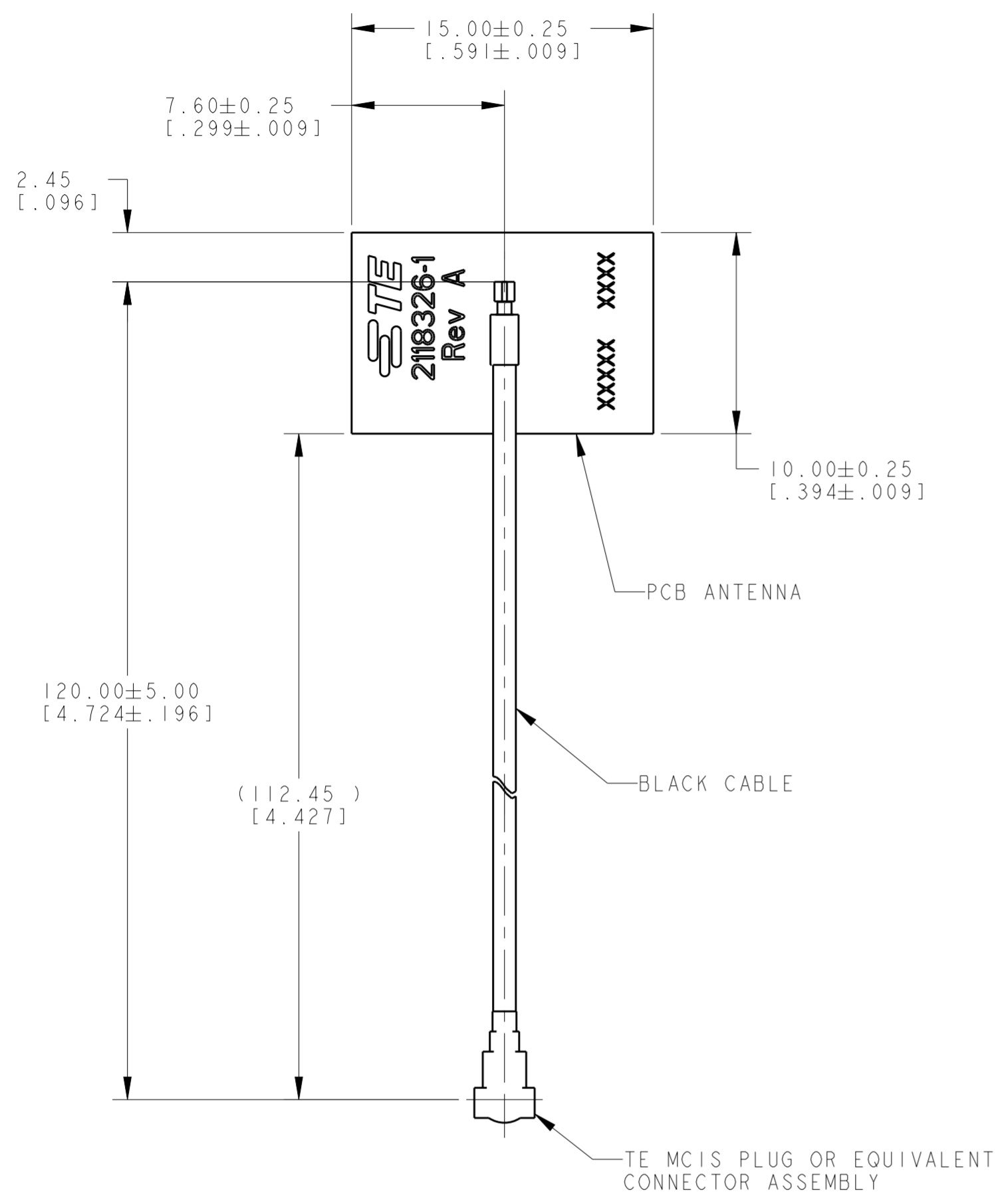


THIS DRAWING IS UNPUBLISHED. RELEASED FOR PUBLICATION 20
 © COPYRIGHT 20 BY TYCO ELECTRONICS CORPORATION ALL RIGHTS RESERVED.

LOC	DIST	REVISIONS					
		P	LTR	DESCRIPTION	DATE	DWN	APVD
AJ	00		A	RELEASED.	11DEC2013	KF	JPS
			AI	UPDATE CONNECTOR NOTE	15DEC2015	JPS	JLM



2118326-1 SHOWN

- ASSEMBLY IS RoHS COMPLIANT.
- MINIMUM IDENTIFICATION INCLUDES:
 TOP LAYER: TE LOGO, TE ASSEMBLY PART NUMBER, ASSEMBLY REVISION LETTER, AND FOUR DIGIT DATE CODE (FIRST 2 DIGITS FOR THE WEEK CODE AND THE 2ND TWO DIGITS FOR THE YEAR CODE).
- MATERIALS: PCB MATERIAL
 TOTAL THICKNESS: 0.51 [.020], SINGLE SIDE, 1/2 OUNCE COPPER.
- OVERPLATING: PLATING ON EXPOSED COPPER AREAS TO BE E.N.I.G. FINISH.
- REMOVE LINER FROM DOUBLE SIDED FOAM TAPE 3M VHB RP32 TO APPLY ANTENNA IN APPLICATION.
- CONSULT TE CONNECTIVITY DATA SHEET DS2118326.
- PRODUCT PACKAGED IN A BAG.

2118326-1
 PART NUMBER

THIS DRAWING IS A CONTROLLED DOCUMENT.		DWN K. FOLTZ 07MAR2013	TE Connectivity															
DIMENSIONS: mm [INCHES]		CHK G. GRIFFITH 07MAR2013																
TOLERANCES UNLESS OTHERWISE SPECIFIED:		APVD G. GRIFFITH 07MAR2013	NAME SINGLE BAND, 5 GHz PIFA ANTENNA															
<table border="1"> <tr><td>0 PLC</td><td>±</td></tr> <tr><td>1 PLC</td><td>±</td></tr> <tr><td>2 PLC</td><td>±</td></tr> <tr><td>3 PLC</td><td>±</td></tr> <tr><td>4 PLC</td><td>±</td></tr> <tr><td>ANGLES</td><td>±</td></tr> <tr><td>FINISH</td><td>±</td></tr> </table>		0 PLC	±	1 PLC	±	2 PLC	±	3 PLC	±	4 PLC	±	ANGLES	±	FINISH	±	PRODUCT SPEC -	SIZE A2	CAGE CODE 00779
0 PLC	±																	
1 PLC	±																	
2 PLC	±																	
3 PLC	±																	
4 PLC	±																	
ANGLES	±																	
FINISH	±																	
MATERIAL -		APPLICATION SPEC -	DRAWING NO C-2118326	RESTRICTED TO -														
-		WEIGHT -	SCALE 4:1 SHEET 1 OF 1 REV AI															
-		CUSTOMER DRAWING																