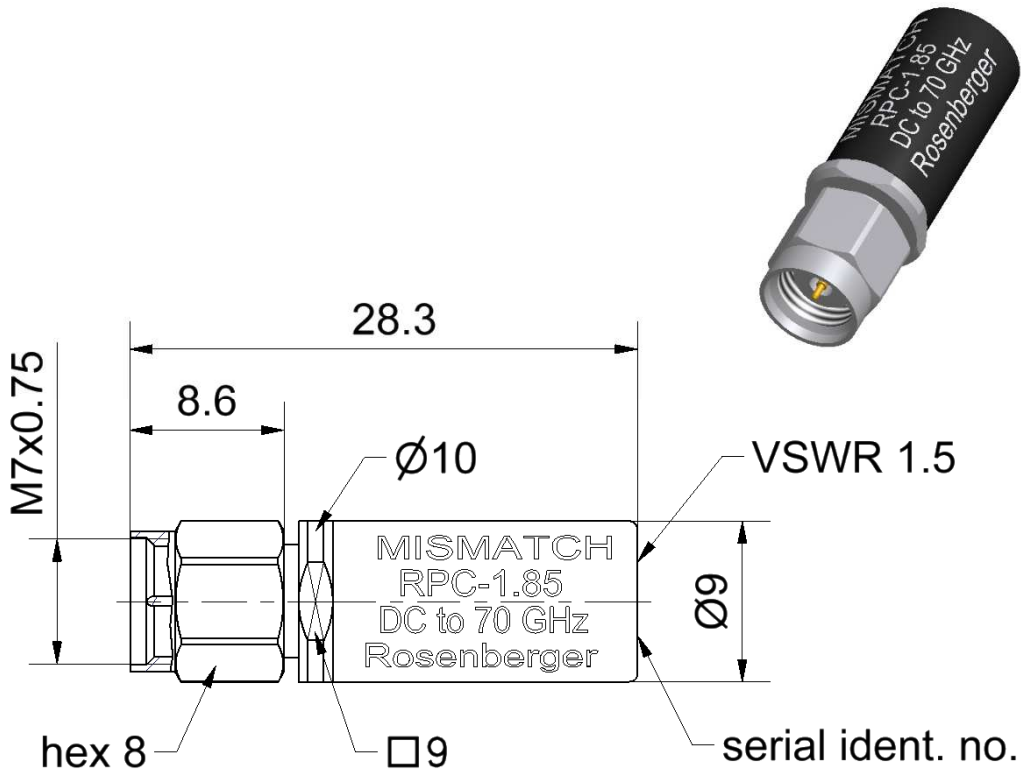


RPC-1.85

Mismatch
Plug

08S150-075S3



All dimensions are in mm; tolerances according to ISO 2768 m-H

Interface

According to
Mechanically compatible with

IEC 61169-32
RPC-2.40

Documents

Application note

AN001 "Calibration Services"

Material and plating

Connector parts

Center contact
Outer contact
Coupling nut
Dielectric
Substrate

Material

CuBe
Stainless steel
Stainless steel
PS
Al₂O₃

Plating

Gold, min. 1.27 µm, over nickel
Passivated
Passivated

RPC-1.85

Mismatch
Plug

08S150-075S3

Electrical data

Frequency range DC to 70 GHz
 VSWR 1.5 ± 0.07, DC to 26.5 GHz
 1.5 ± 0.18, 26.5 GHz to 70 GHz
 DC Resistance 75 Ω ± 0.375 Ω
 Power handling 0.5 W

Mechanical data

Mating cycles ≥ 500
 Maximum torque 1.65 Nm
 Recommended torque 0.90 Nm
 Gauge 0.00 mm to 0.03 mm

Environmental data

Operating temperature range¹ +20 °C to +26 °C
 Rated temperature range of use² 0 °C to +50 °C
 Storage temperature range - 40 °C to +85 °C

RoHS compliant

¹ Temperature range over which these specification are valid.
² This range is underneath and above the operating temperature range, within the mismatch is fully functional and could be used without damage.

Declaration of calibration options

Factory Calibration

Standard delivery for this calibration standard includes a Factory Calibration. The Calibration Certificate issued reports individual calibration results, traceable to national / international standards. Model based standard definitions are reported in an Agilent/Keysight, Rohde & Schwarz and Anritsu compatible VNA format.

Accredited Calibration

Not available.

For further, more detailed information see application note AN001 on the Rosenberger homepage.

Calibration interval

Recommendation 12 months

Packing

Standard 1 pce in box
 Weight 7.2 g/pce

While the information has been carefully compiled to the best of our knowledge, nothing is intended as representation or warranty on our part and no statement herein shall be construed as recommendation to infringe existing patents. In the effort to improve our products, we reserve the right to make changes judged to be necessary.

Draft	Date	Approved	Date	Rev.	Engineering change number	Name	Date
Marion Striegler	29.01.14	Markus Müller	12.09.16	c00	16-1390	Marion Striegler	12.09.16

Rosenberger Hochfrequenztechnik GmbH & Co. KG P.O.Box 1260 D-84526 Tittmoning Germany www.rosenberger.de				Tel. : +49 8684 18-0 Email : info@rosenberger.de		Page 2 / 2	
--	--	--	--	--	--	---------------	--