

THIS DRAWING IS UNPUBLISHED.

RELEASED FOR PUBLICATION

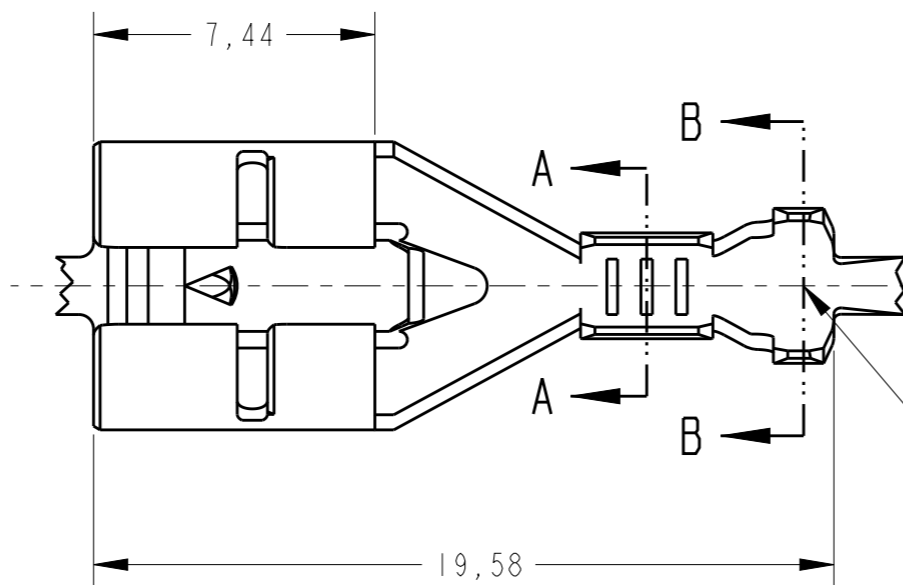
© COPYRIGHT 19 AMP

ALL RIGHTS RESERVED.

LOC AP DIST -

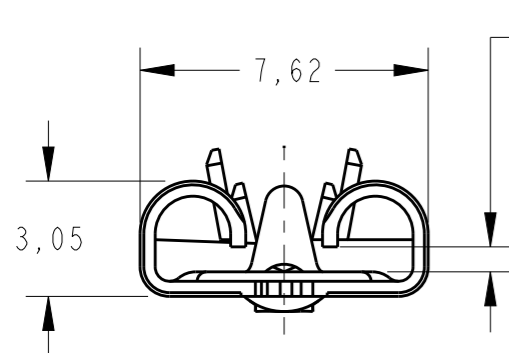
REVISIONS

| P | LTR | DESCRIPTION | DATE | DWN | APVD |
|---|-----|-----------------------|-----------|-----|------|
| | C1 | REV. BY ECO-11-009578 | 10MAY2011 | HC | WLS |
| | C2 | REV. BY ECO 16-003728 | 11MAR2016 | HC | WLS |

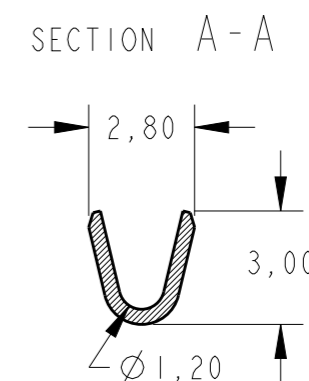
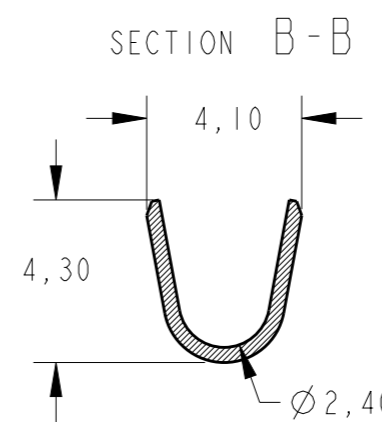
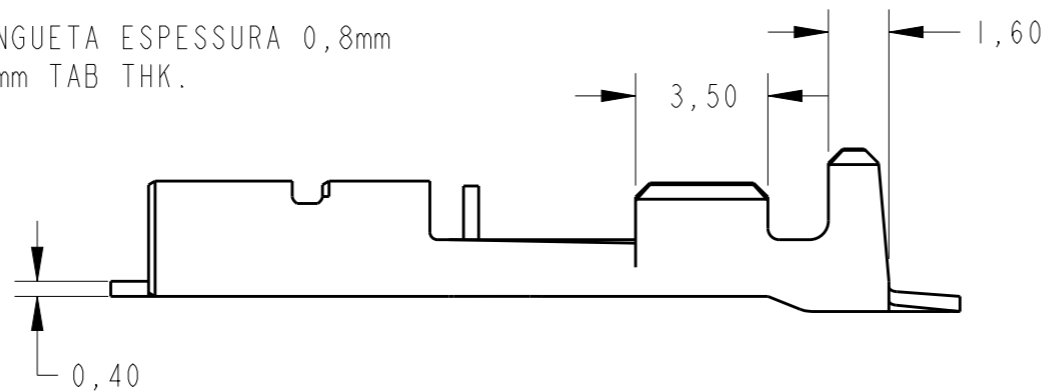


1- WIRE RANGE 0,5/1,0mm²
INSULATION DIA. RANGE Ø2,0/2,7mm.

LOGOTIPO E CODIGO DO PAÍS PRODUTOR
LOGO AND MANUFACTURING COUNTRY CODE.



PARA LINGUETA ESPESSURA 0,8mm
FOR 0,8mm TAB THK.



| | | | |
|----------|------------------|-------------|-------------|
| OBSOLETE | ESTANHADO/TINNED | LATÃO/BRASS | 1380088-2 |
| | NU/NONE | LATÃO/BRASS | 1380088-1 |
| | FINISH | MATERIAL | PART NUMBER |

| | | | | |
|--|------------------|-----------------------------|--|--|
| THIS DRAWING IS A CONTROLLED DOCUMENT. | | DWN 09AUG00 H.C. CANTERI | STE TE Connectivity | |
| DIMENSIONS: mm | | CHK 09AUG00 W.L. STEFANI | | |
| TOLERANCES UNLESS OTHERWISE SPECIFIED: | | APVD 09AUG00 | NAME POSITIVE LOCK MKIII, L.I.F. .250 SERIES RECEPT. | |
| 0 PLC ±- | 1 PLC ±- | PRODUCT SPEC | SIZE CAGE CODE DRAWING NO RESTRICTED TO | |
| 2 PLC ±0,25 | 3 PLC ±- | APPLICATION SPEC | A3 00779 C-1380088 | |
| 4 PLC ±- | ANGLES ±1° | WEIGHT | SCALE SHEET OF REV | |
| MATERIAL SEE TABLE | FINISH SEE TABLE | Customer Drawing | 5/1 1 OF 1 C2 | |