

SLIP RINGS

PLR40-1000

FEATURES

- Provided with connector terminals for easy connection
- RoHS compliant

APPLICATIONS

- Game machines
- Others



PART NUMBER DESIGNATION

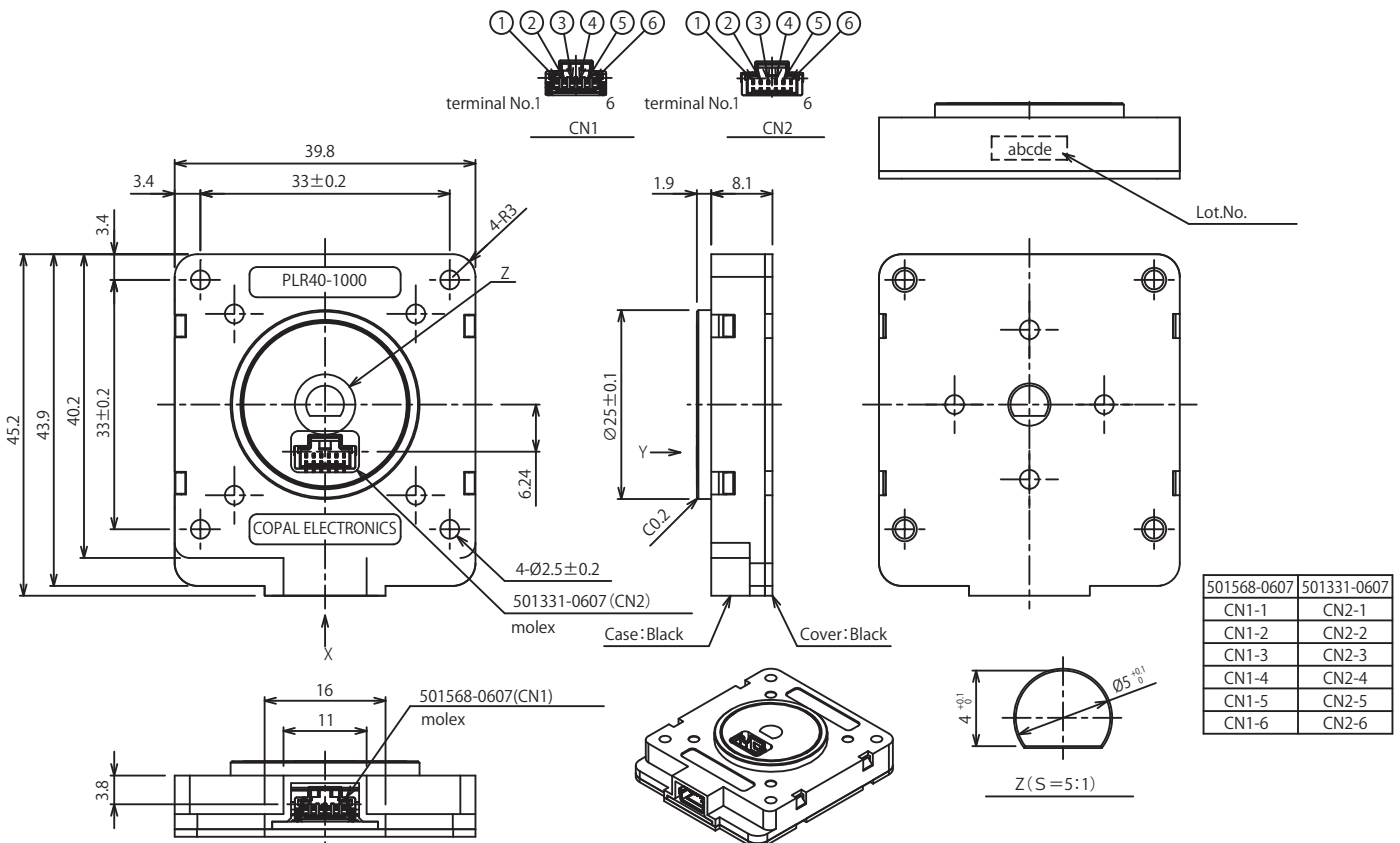
PLR40 - 1000

Series name

Dash number

OUTLINE DIMENSIONS

Unless otherwise specified tolerance: ± 0.5 (Unit: mm)



Lot production is required. Please consult us for ordering.

PLR40-1000

SLIP RINGS

STANDARD SPECIFICATIONS

Item	PLR40-1000
Number of poles	6
Contact resistance/pole	2Ω Max.
Allowable current/pole	1A Max.
Insulation resistance	DC500V、100MΩ Min.
Dielectric strength	AC500V、1 min
Rotational torque	9.8mN-m Max. (Initial value)
Mechanical angle	360°Continuous
Maximum rotational speed	300r/min
Rotational life	10 million revolutions (CW) 5 million revolutions (CCW)
Operating environment	0 ~ 50℃ 10 ~ 90% RH (No condensation)
Storage environment	-10 ~ 60℃ 5 ~ 95% RH (No condensation)
Storage period	12 months