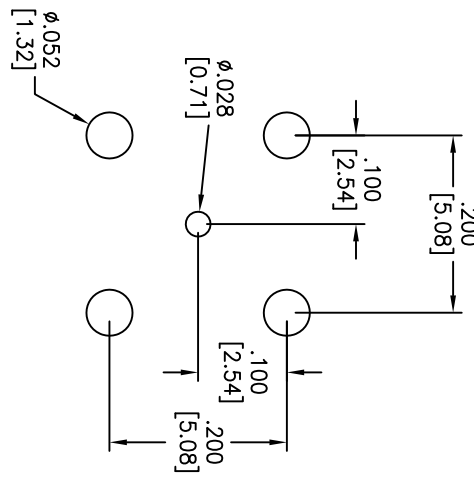
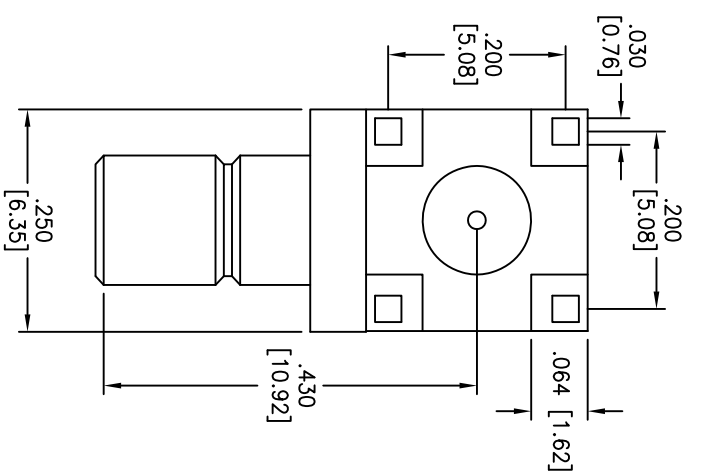
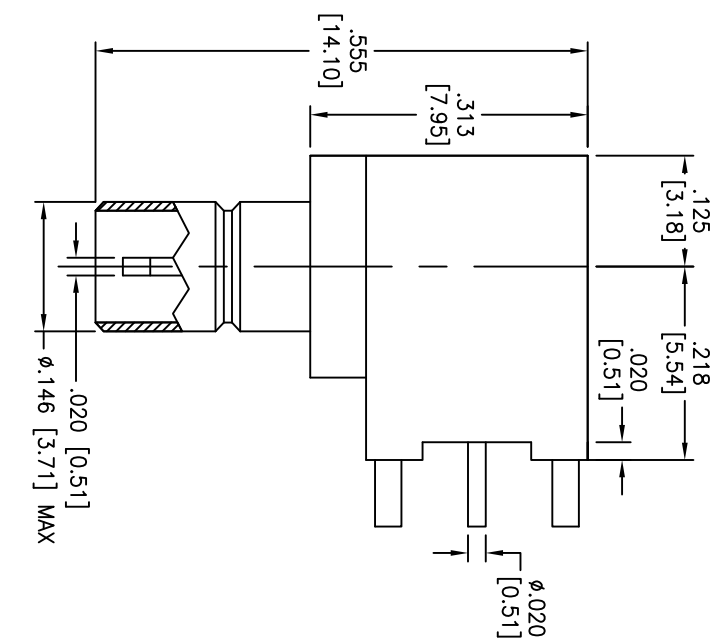


Rev	AWO #	Description	Date	Appr
-	10159	RELEASED	4/15/10	

APPROVED: _____
 DATE: _____ TITLE: _____



RECOMMENDED PCB LAYOUT

INSULATOR	TEFLON	NONE
BODY	BRASS	GOLD
BODY	BRASS	GOLD
INSULATOR	TEFLON	NONE
PIN	BRASS	GOLD
DESCRIPTION	MATERIAL	FINISH

SPECIFICATIONS:

Electrical:
 Nominal Impedance: 50 ohms
 Frequency range: 0-4 GHz
 Contact Resistance: 6 Milliohms max. (Center Contact)
 2.5 Milliohms max. (Outer Contact)
 Insulator Resistance: 1000 Megohms min.
 Environmental:
 Lead free, RoHS compliant.



UNLESS OTHERWISE SPECIFIED
 ALL DIMENSIONS ARE INCHES. [MM]
 TOLERANCES: EXCEPT AS NOTED
 INCHES HOLS
 .X ± .10 Ø.X
 .XX ± .020 Ø.XX
 .XXX ± .015 Ø.XXX
 .XXX ± .010

ADAM TECH

909 Rahway Avenue, Union, NJ 07083
 Phone: 908-687-5000 Fax: 908-687-5710

SMB CONNECTOR

DRAWN	DY	DATE	4/15/10
CHECKED			
APPROVED			

SIZE	PART NO.	REV.
X	RF26-05-00-50-T	-
REF:	S00049T	SCALE: NTS
		SHEET 1 OF 1