

Nuvoton 8051-based Microcontroller

N79E845

N79E844

N79E8432

Data Sheet

Version: A2.6

Table of Contents

1	GENERAL DESCRIPTION.....	5
2	FEATURES	6
3	PARTS INFORMATION LIST.....	8
4	BLOCK DIAGRAM.....	9
5	PIN CONFIGURATION	10
6	MEMORY ORGANIZATION	13
	6.1 APROM Flash memory.....	14
	6.2 LDROM Flash Memory	14
	6.3 CONFIG-bits.....	14
	6.4 On-chip Non-volatile Data Flash	14
	6.5 On-chip XRAM.....	16
	6.6 On-chip scratch-pad RAM and SFR	16
	6.7 Working Registers.....	17
	6.8 Bit-addressable Locations	18
	6.9 Stack.....	18
7	SPECIAL FUNCTION REGISTER (SFR)	19
8	GENERAL 80C51 SYSTEM CONTROL.....	24
9	I/O PORT STRUCTURE AND OPERATION	28
	9.1 Quasi-Bidirectional Output Configuration	28
	9.1.1 Read-Modify-Write	29
	9.2 Open Drain Output Configuration.....	30
	9.3 Push-Pull Output Configuration.....	30
	9.4 Input Only Configuration	31
10	TIMERS/COUNTERS	34
	10.1 Timers/Counters 0 and 1	34
	10.1.1 Mode 0 (13-bit Timer).....	38
	10.1.2 Mode 1 (16-bit Timer).....	39
	10.1.3 Mode 2 (8-bit Auto-Reload Timer)	39
	10.1.4 Mode 3 (Two Separate 8-bit Timers)	40
	10.2 Timer/Counter 2.....	41
	10.2.1 Input Capture Mode.....	44
	10.2.2 Auto-reload Mode	48
	10.2.3 Compare Mode	48
11	WATCHDOG TIMER (WDT).....	50
	11.1 Functional Description	50
	11.2 Applications of Watchdog Timer Reset	53
	11.3 Applications of Watchdog Timer Interrupt	54
12	SERIAL PORT (UART).....	56
	12.1 Mode 0	58
	12.2 Mode 1	60
	12.3 Mode 2	62
	12.4 Mode 3	64
	12.5 Baud Rates	66
	12.6 Framing Error Detection	67
	12.7 Multiprocessor Communication	67
	12.8 Automatic Address Recognition	68
13	SERIAL PERIPHERAL INTERFACE (SPI).....	71
	13.1 Features	71

13.2	Functional Description	71
13.3	SPI Control Registers	73
13.4	Operating Modes	76
13.4.1	Master Mode	76
13.4.2	Slave Mode	77
13.5	Clock Formats and Data Transfer	77
13.6	Slave Select Pin Configuration	80
13.7	Mode Fault Detection	80
13.8	Write Collision Error	81
13.9	Overrun Error	81
13.10	SPI Interrupts	82
14	KEYBOARD INTERRUPT (KBI)	84
15	ANALOG-TO-DIGITAL CONVERTER (ADC)	88
16	INTER-INTEGRATED CIRCUIT (I ² C)	94
16.1	Features	94
16.2	Functional Description	94
16.2.1	START and STOP Conditions	95
16.2.2	7-bit Address with Data Format	96
16.2.3	Acknowledge	97
16.2.4	Arbitration	98
16.3	Control Registers of I ² C	99
16.4	Operation Modes	102
16.4.1	Master Transmitter Mode	102
16.4.2	Master Receiver Mode	103
16.4.3	Slave Receiver Mode	104
16.4.4	Slave Transmitter Mode	105
16.4.5	General Call	106
16.4.6	Miscellaneous States	107
16.5	Typical Structure of I ² C Interrupt Service Routine	108
16.6	I ² C Time-out	111
16.7	I ² C Interrupts	112
17	PULSE WIDTH MODULATED (PWM)	113
17.1	Features	113
17.2	Functional Description	113
18	TIMED ACCESS PROTECTION(TA)	123
19	INTERRUPT SYSTEM	125
19.1	Interrupt Sources	125
19.2	Priority Level Structure	127
19.3	Interrupt Response Time	131
19.4	SFR of Interrupt	131
20	IN SYSTEM PROGRAMMING (ISP)	137
20.1	ISP Procedure	137
20.2	ISP Command Table	141
20.3	Access Table of ISP Programming	142
20.4	ISP User Guide	142
20.5	ISP Demo Code	143
21	POWER MANAGEMENT	146
21.1	Idle Mode	146
21.2	Power-down Mode	147
22	CLOCK SYSTEM	149



22.1	On-Chip RC Oscillator.....	151
22.2	Crystal/Resonator.....	151
23	POWER MONITORING.....	152
23.1	Power-on Detection.....	152
23.2	Brown-out Detection.....	152
24	RESET CONDITIONS.....	155
24.1	Power-on Reset	155
24.2	BOD Reset	156
24.3	RST Pin Reset	157
24.4	Watchdog Timer Reset.....	157
24.5	Software Reset	158
24.6	Boot Selection	159
24.7	Reset State.....	160
25	CONFIG BITS (CONFIG)	162
25.1	CONFIG0.....	162
25.2	CONFIG1 (N79E845 Only)	163
25.3	CONFIG2.....	164
25.4	CONFIG3.....	165
26	INSTRUCTION SETS	167
27	IN-CIRCUIT PROGRAM (ICP)	171
28	ELECTRICAL CHARACTERISTICS.....	173
28.1	Absolute Maximum Ratings.....	173
28.2	DC Electrical Characteristics	173
28.3	AC Electrical Characteristics	177
28.3.1	10-bits SAR-ADC Specification.....	177
28.3.2	4 ~ 24 MHz XTAL Specifications.....	178
28.3.3	Internal RC Oscillator Specifications – 22.1184 MHz/11.0592 MHz.....	178
28.3.4	Internal RC Oscillator Specifications – 10 kHz.....	179
29	APPLICATION CIRCUIT FOR EMC IMMUNITY	180
30	PACKAGE DIMENSIONS	181
30.1	20-pin TSSOP - 4.4X6.5mm.....	181
30.2	16-pin SOP - 150 mil	182
31	DOCUMENT REVISION HISTORY.....	183



1 General Description

The N79E845/844/8432 8-bit Turbo 51 (4T Mode) microcontroller is embedded with 16K^[1]/8K/4K bytes Flash EPROM which can be programmed through universal hardware writer, serial ICP (In Circuit Program) programmer, software ISP function. The instruction sets of the N79E845/844/8432 is fully compatible with the standard 8052. The N79E845/844/8432 contains 16K/8K/4K bytes Application Flash EPROM (APROM) memory, 4 Kbytes Data Flash memory, and 2 Kbytes Load Flash EPROM (LDROM) memory; 256 bytes direct and indirect RAM, 256 bytes XRAM; 17 I/O with bit-addressable I/O ports; two 16-bit timers/counters; 7-channel multiplexed 10-bit A/D converter; 4-channel 10-bit PWM; three serial ports including a SPI, I²C and an enhanced full duplex serial port; 2-level BOD voltage detection/reset, and power-on reset (POR). The N79E845/844/8432 also supports internal RC oscillator at the nominal frequency of 22.1184 MHz. The accuracy of RC oscillator (22.1184 MHz) is trimmed as $\pm 1\%$ under the condition of room temperature and $V_{DD} = 5V$ before shipping from by factory trimming mechanism, which peripherals are supported by 14 sources of four-level interrupt capability. To facilitate programming and verification, the Flash EPROM inside the N79E845/844/8432 allows the program memory to be programmed and read electronically. Once the code is confirmed, the user can protect the code for security.

The N79E845/844/8432 microcontroller, featuring wide operating voltage range, built-in rich analog and digital peripherals and non-volatile Flash memory, is widely suitable for general control and home appliances.

[1] For N79E845, Data Flash and APROM share 16 Kbytes space.



2 Features

- Core
 - Fully static design 8-bit Turbo 51 (4T) CMOS microcontroller
 - Instruction sets fully compatible with the MCS-51
- Operating voltage range
 - $V_{DD} = 4.5V$ to $5.5V$ at F_{OSC} up to 24MHz
 - $V_{DD} = 3.0V$ to $5.5V$ at Internal RC 22.1184MHz
 - $V_{DD} = 2.4V$ to $5.5V$ at $F_{OSC} = 4\sim 12MHz$ or Internal RC 11.0592MHz
- Operating temperature range
 - $-40^{\circ}C \sim 85^{\circ}C$
- Clock Source
 - High-speed external oscillator:
 - Up to 24 MHz Crystal and resonator (enabled by CONFIG-bits)
 - Internal RC oscillator: 22.1184MHz/11.0592MHz (selectable by CONFIG-bits)
 - $\pm 1\%$ at $V_{DD} = 5V$ and $25^{\circ}C$
 - $\pm 3\%$ at $V_{DD} = 2.7V \sim 5.5V$ and $25^{\circ}C$
 - $\pm 5\%$ at $V_{DD} = 2.7V \sim 5.5V$ and $-10^{\circ}C \sim +70^{\circ}C$
 - $\pm 8\%$ at $V_{DD} = 2.7V \sim 5.5V$ and $-40^{\circ}C \sim 85^{\circ}C$
 - Flexible CPU clock source configurable by CONFIG-bits and software
 - 8-bit Programmable CPU clock divider(DIVM)
- On-chip Memory
 - 100,000 erase/write cycles
 - N79E845: 16 Kbytes shared by APROM and Data Flash depending on CONFIG-bits definitions
 - N79E844: 8 Kbytes APROM, 4 Kbytes Data Flash
 - N79E8432: 4 Kbytes APROM, 4 Kbytes Data Flash
 - APROM, LDROM and Data Flash security protection
 - Flash page size as 128 bytes
 - 256 bytes of on-chip direct/indirect RAM
 - 256 bytes of XRAM, accessed by MOVX instruction
 - On-chip Flash programmed through
 - Parallel H/W Writer mode
 - Serial In-Circuit-Program mode (ICP)
 - Software Implemented ISP (In-System-Program)
- I/O Ports
 - Maximum 17 I/O pins
 - All I/O pin besides P1.2 and P1.3 support 4 software configurable output modes
 - Software selectable TTL or Schmitt trigger input type per port
 - 14 interrupt sources with four levels of priority
 - LED drive capability 38mA on P10, P11, P14, P16, P17
 - LED drive capability 20mA on port 0 and port 3
- Timer/Counter
 - Two sets 16-bit Timers/Counters

- One 16-bit Timer with two channel of input captures
- Watchdog Timer
 - Programmable Watchdog Timer
 - Clock source supported by internal 10kHz \pm 50% accuracy RC oscillator
- Serial ports (UART, SPI, I²C)
 - One set of enhanced full duplex UART port with framing error detection and automatic address recognition.
 - One set SPI with master/slave capability.
 - One set I²C with master/slave capability
- PWM
 - 4 channels 10-bit PWM outputs with one brake/fault input
- KBI
 - 8-keypad interrupt inputs(KBI) with 8 falling/rising/both-edge detection pins selected by software
- ADC
 - 10-bit A/D converter
 - Up to 150 Ksps.(sample per second)
 - 7 analog input channels
- Brown-out Detector
 - 2-level (3.8V/2.7V) BOD detector
 - Supports interrupt and reset options
- POR (Power on Reset)
 - Threshold voltage levels as 2.0V
- Built-in power management.
 - Idle mode
 - Power-down mode with optionally enabled WDT functions
- Development Tools
 - Hardware writer
 - ICP programmer
 - ISP update APROM by UART port

3 Parts Information List

Table 3-1 Lead Free (RoHS) Parts Information List

PART NO.	APROM	LDROM	RAM	DATA FLASH	PACKAGE
N79E845AWG	16KB	2KB	512B	Share APROM	TSSOP-20 Pin
N79E844AWG	8KB	2KB	512B	4KB	TSSOP-20 Pin
N79E8432ASG	4KB	2KB	512B	4KB	SOP-16 Pin

4 Block Diagram

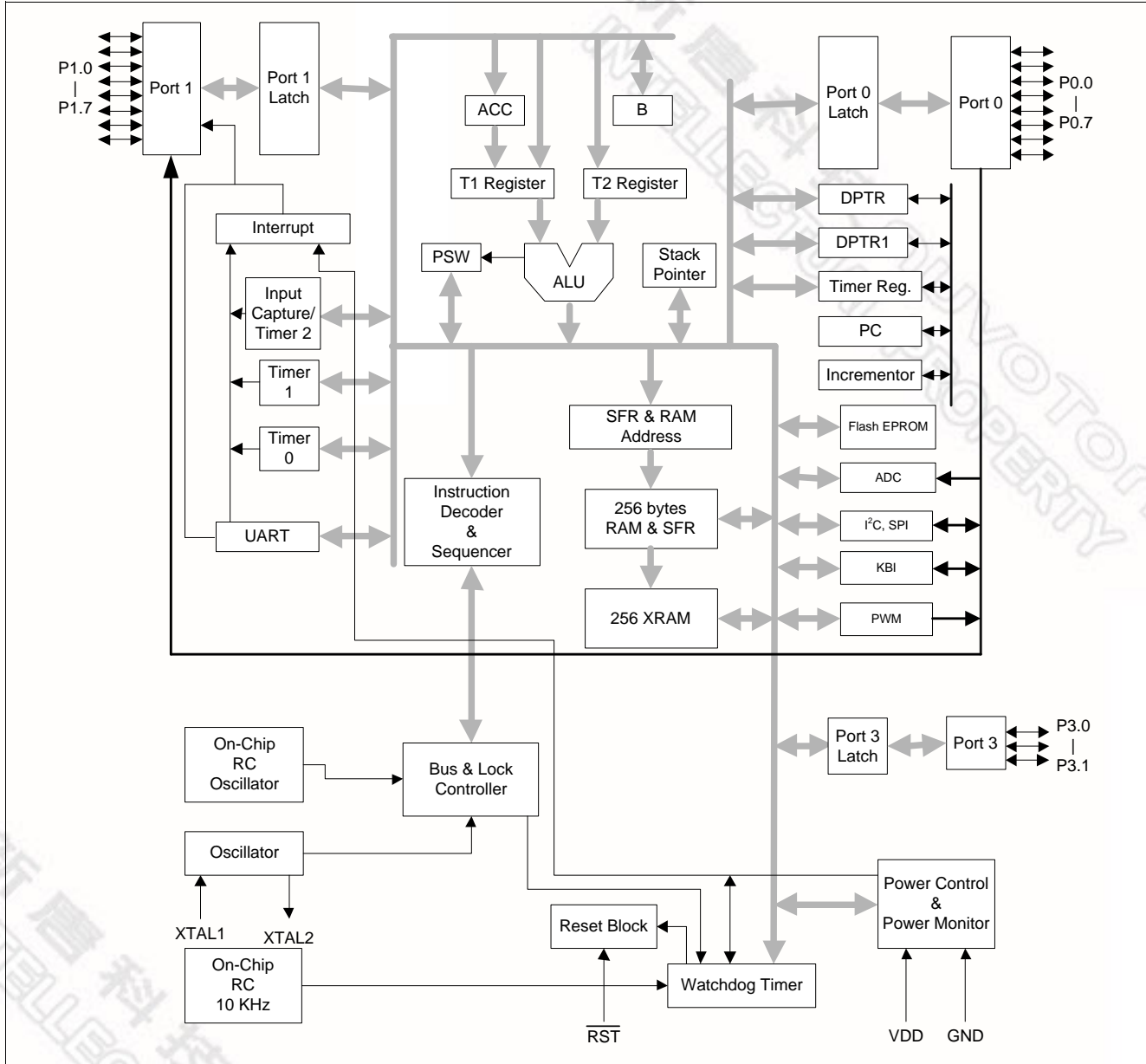


Figure 4-1 N79E845/844/8432 Function Block Diagram

5 Pin Configuration

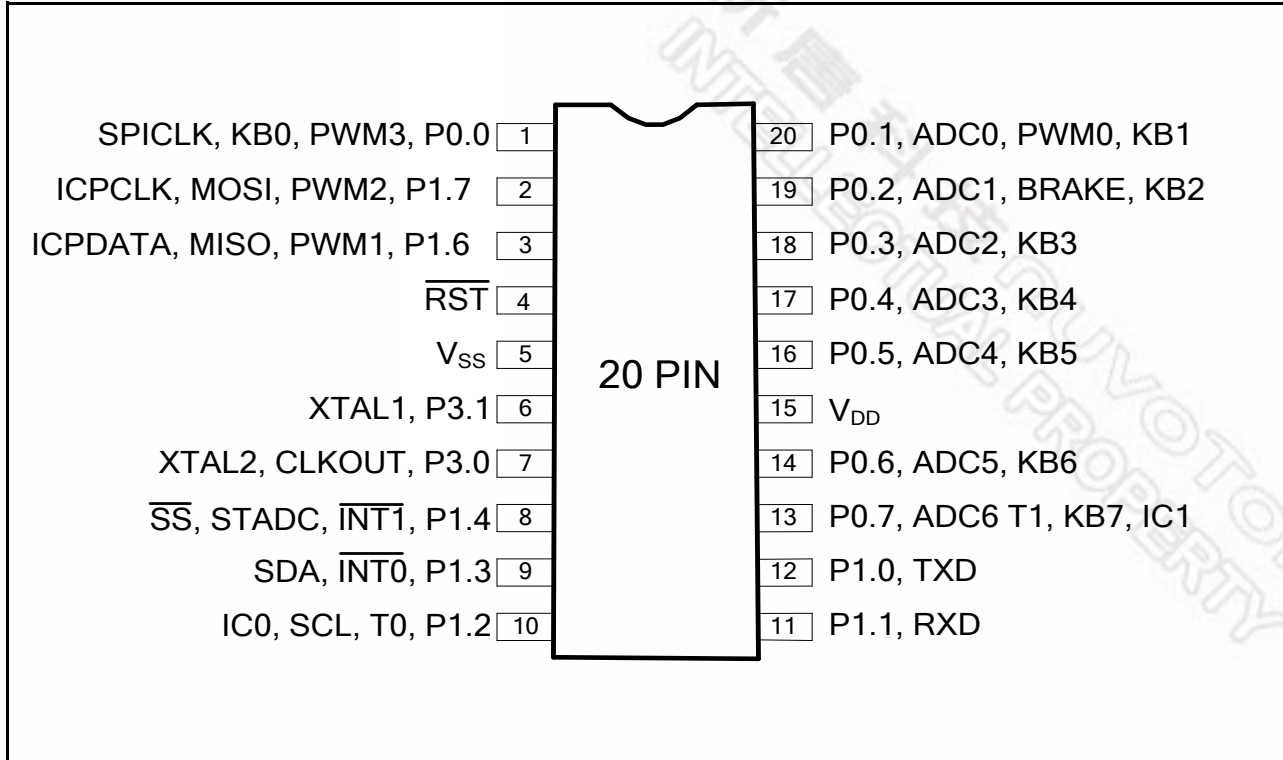


Figure 5-2 TSSOP/SOP 20- pin Assignment

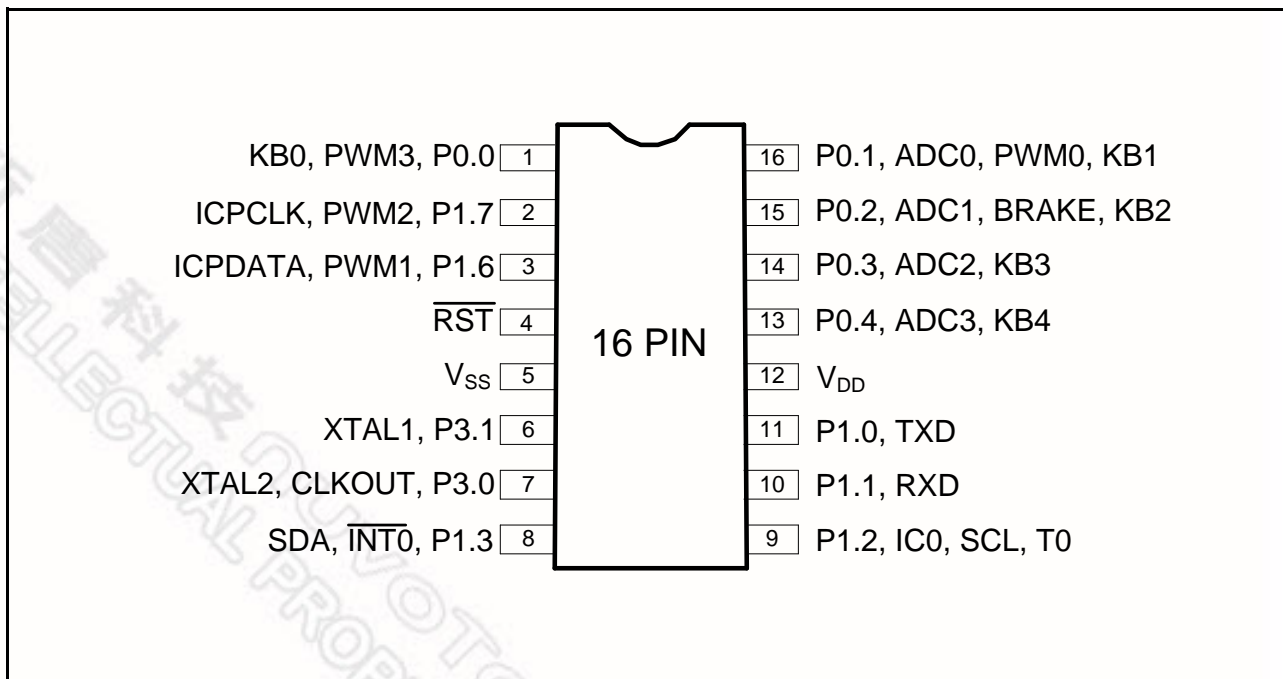


Figure 5-3 SOP 16- pin Assignment



Table 5-1 Pin Description

Pin number		Sym-	Alternate Function				Type	Description
SOP16	SOP20 TSSOP20		1	2	3			
12	15	V _{DD}					P POWER SUPPLY: Supply voltage V _{DD} for operation.	
5	5	V _{SS}					P GROUND: Ground potential	
4	4	/RST					I (ST) RESET: Chip reset pin that is low active. Because reset pin has internal pull-up resistor (about 200 KΩ at V_{DD} = 5V), this pin cannot be floating. Reset pin should be connected to 100Ω pull-up resistor and 10uF pull-low capacitor.	
1	1	P0.0	PWM3		KB0	SPICLK	I/O PORT0: Port 0 has 4-type I/O port. Its multifunction pins are for PWM0, PWM3, T1, BRAKE, SPICLK, ADC0~ADC6 and KB0~KB7. ADC0 ~ADC6: ADC channel input.	
16	20	P0.1	PWM0	ADC0	KB1		I/O KB0 ~ KB7: Key Board Input The PWM0 and PWM3 is PWM output channel.	
15	19	P0.2	BRAKE	ADC1	KB2		I/O T1: Timer 1 External Input SPICLK: SPI-1 clock pin	
14	18	P0.3		ADC2	KB3		I/O	
13	17	P0.4		ADC3	KB4		I/O	
-	16	P0.5		ADC4	KB5		I/O	
-	14	P0.6		ADC5	KB6		I/O	
-	13	P0.7	T1	ADC6	KB7	IC1	I/O	
11	12	P1.0	TXD				I/O PORT1: Port 1 has 4-type I/O port. Its multifunction pins are for TXD, RXD, T0, /INT0, /INT1, SCL, SDA, STADC, ICPDAT, ICPCLK and /SS, MISO, MOSI. The TXD and RXD are UART port	
10	11	P1.1	RXD				I/O The SCL and SDA are I ² C function with open-drain port. The ICPDAT and ICPCLK are ICP (In Circuit Programming) function pin.	
9	10	P1.2	T0		SCL	IC0	D The /SS, MISO, MOSI are SPI-1 function pins. The PWM1 and PWM2 are PWM output channel	
8	9	P1.3	/INT0		SDA		D T0: Timer 0 External Input IC0/1: Input Capture pin	

Table 5-1 Pin Description

Pin number		Sym-	Alternate Function				Type	Description
SOP16	SOP20 TSSOP20		1	2	3			
-	8	P1.4	/INT1	STADC		/SS	I/O	STADC: ADC trigger by external pin
3	3	P1.6	PWM1		ICPDAT	MISO	I/O	
2	2	P1.7	PWM2		ICPCLK	MOSI	I/O	
7	7	P3.0	XTAL2	CLKOUT			I/O	PORT3: Port 3 has 4-type I/O port. Its multifunction pins are for XTAL1, XTAL2 and CLKOUT, CLKOUT: Internal RC OSC/4 output pin.
6	6	P3.1	XTAL1				I/O	XTAL2: This is the output pin from the internal inverting amplifier. It emits the inverted signal of XTAL2. XTAL1: This is the output pin from the internal inverting amplifier. It emits the inverted signal of XTAL1.

[1] I/O type description I: input, O: output, I/O: quasi bi-direction, D: open-drain, P: power pins, ST: Schmitt trigger.



6 Memory Organization

The N79E845/844/8432 has embedded Flash EPROM including 16K/8K/4K bytes Application Program Flash memory (APROM), fixed 4K bytes Data Flash (except the device with 16K APROM), fixed 2K bytes Load ROM Flash memory (LDROM) and CONFIG-bits. The N79E845/844/8432 also provides 256 bytes of on-chip direct/indirect RAM and 256 bytes of XRAM accessed by MOVX instruction.

For the device of 16K-bytes APROM, the APROM block and Data Flash block comprise the 16K bytes embedded Flash. The block size is CONFIG-bits/software configurable.

The N79E845/844/8432 is built with a CMOS page-erase. The page-erase operation erases all bytes within a page of 128 bytes.

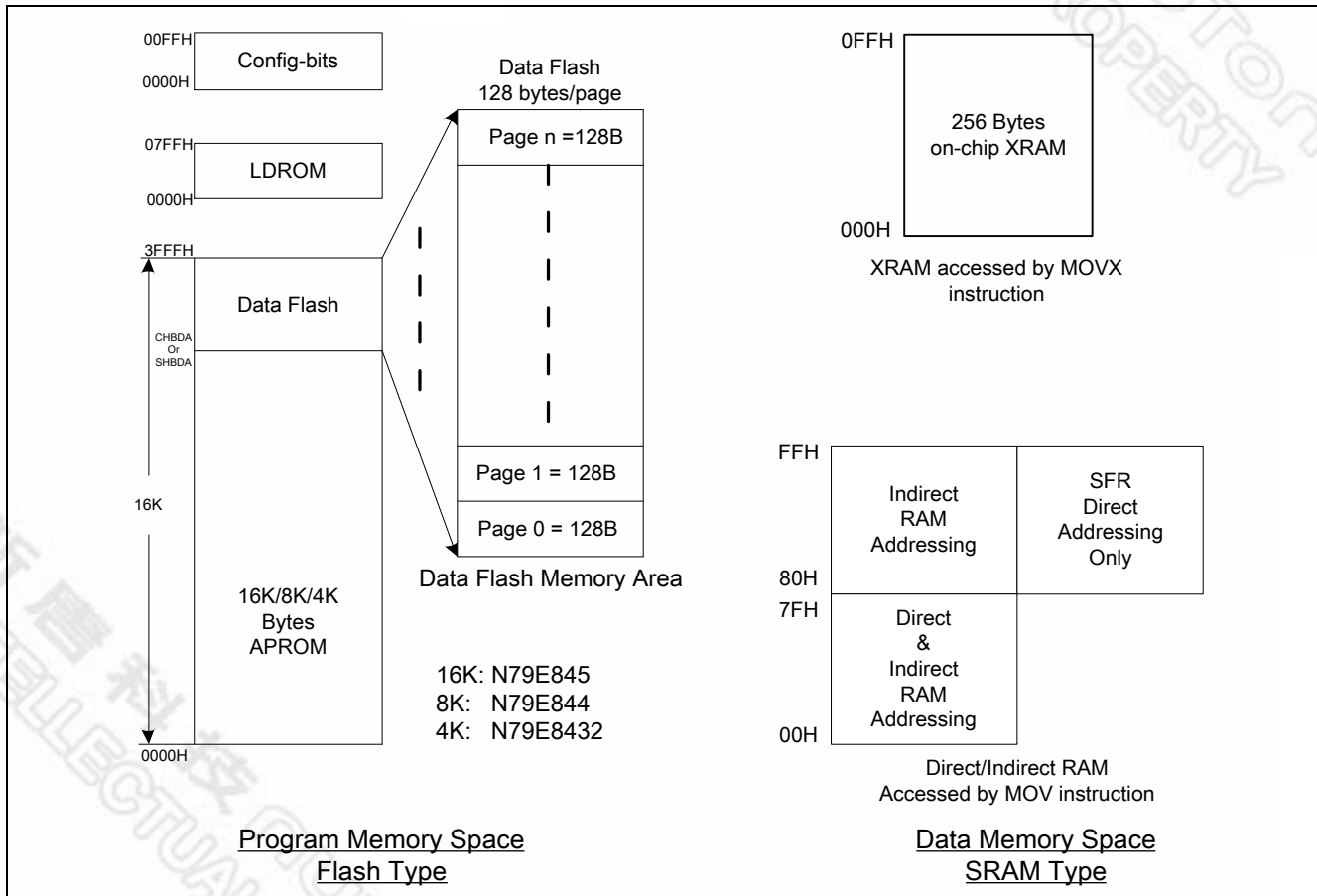


Figure 6-1 N79E845/844/8432 Memory Map



6.1 APROM Flash memory

The N79E845/844/8432 has **16K/8K/4K** Program Memory. All instructions are fetched for execution from this memory area. The MOVC instruction can also read this memory region.

The user application program is located in APROM. When CPU boots from APROM (CHPCON.BS=0), CPU starts executing the program from address 0000H. If the value of program counter (PC) is over the space of APROM, CPU will execute NOP operand and program counter increases one by one until PC reaches 3FFFH then it wraparounds to address 0000H of APROM, the CPU executes the application program again.

6.2 LDROM Flash Memory

Each device of the N79E845/844/8432 is equipped with 2 Kbytes LDROM stored the ISP application program. User may develop the ISP function in LDROM for updating application program or Data Flash. Similarly, APROM can also re-program LDROM and Data Flash. The start address of LDROM is at 0000H corresponding to the physical address of the Flash memory. However, when CPU runs in LDROM, CPU automatically re-vectors the LDROM start address to 0000H, therefore user program regards the LDROM as an independent program memory, meanwhile, with all interrupt vectors that CPU provides.

6.3 CONFIG-bits

There are several bytes of CONFIG-bits located CONFIG-bits block. The CONFIG-bits define the CPU initial setting after power up or reset. Only hardware parallel writer or hardware ICP writer can erase/program CONFIG-bits. ISP program in LDROM can also erase/program CONFIG-bits.

6.4 On-chip Non-volatile Data Flash

The N79E845/844/8432 additionally has non-volatile Data Flash, which is non-volatile so that it remains its content even after the power is off. Therefore, in general application the user can write or read data which rules as parameters or constants. By the software path, SP mode can erase, written, or read the Data Flash only. Of course, hardware with parallel Programmer/Writer or ICP programmer can also access the Data Flash.

The Data Flash size is software adjustable in N79E845 (16KB) by updating the content of SHBDA. SHBDA[7:0] represents the high byte of 16-bit Data Flash start address and the low byte is hardware set to 00H. The value of SHBDA is loaded from the content of CONFIG1 (CHBDA) after all resets. The application program can dynamically adjust the Data Flash size by resetting SHBDA value. Once the Data Flash size is changed the APROM size is changed accordingly. SHBDA has time access protection while a write to SHBDA is required. The Data Flash size will be 15.75k bytes and there will be 256 bytes APROM.

The Data Flash size is fixed as 4 Kbytes from address 3000H through 3FFFH in N79E844/8432. SHBDA affects nothing.

The CONFIG bit DFEN (CONFIG0.0) should be programmed as 0 before accessing the Data Flash block. If DFEN remains its un-programmed value 1, APROM will occupy whole 16K-bytes block in N79E845 DFEN.

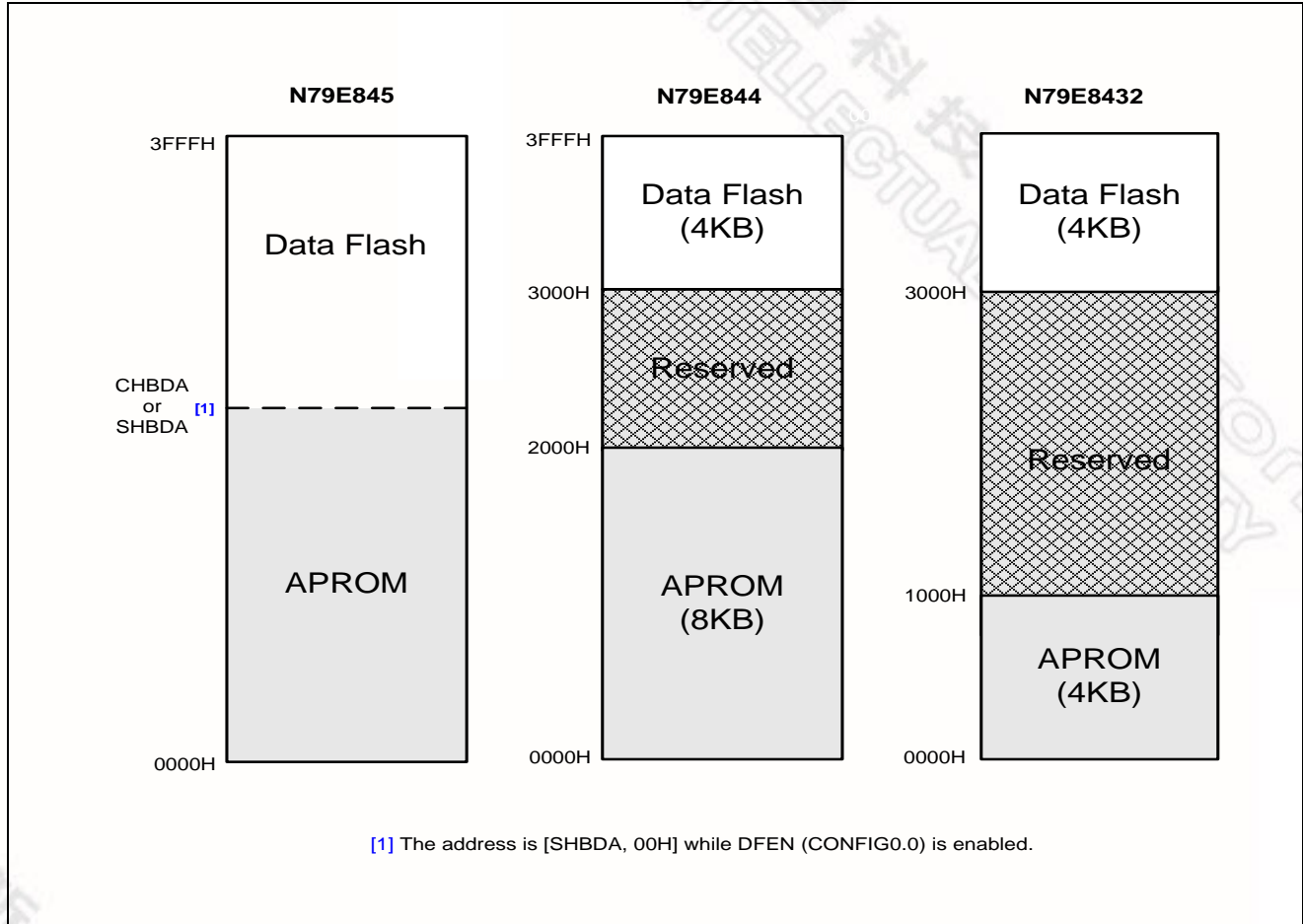


Figure 6-2 N79E845/844/8432 Data Flash

SHBDA – SFR High Byte of Data Flash Starting Address (TA protected, N79E845 Only)

7	6	5	4	3	2	1	0
SHBDA[7:0] ^[1]							
R/W							

Address: 9CH Reset value: see Table 7-2 N79E845/844/8432 SFR Description and Reset Values

Bit	Name	Description
7:0	SHBDA[7:0]	SFR high byte of Data Flash starting address This byte is valid only when DFEN (CONFIG0.0) being 0 condition. It is used to dynamic adjust the starting address of the Data Flash when the application program is executing.

[1] SHBDA is loaded from CONFIG1 after all resets.

6.5 On-chip XRAM

The N79E845/844/8432 provides additional on-chip 256 bytes auxiliary RAM called XRAM to enlarge the RAM space. It occupies the address space from 00H through FFH. The 256 bytes of XRAM are indirectly accessed by move external instruction MOVX @DPTR or MOVX @Ri. (See the demo code below.) Note that the stack pointer may not be located in any part of XRAM. Figure 6-1 shows the memory map for this product series.

XRAM demo code:

```

MOV    R0,#23H                ;write #5AH to XRAM with address @23H
MOV    A,#5AH
MOVX   @R0,A

MOV    R1,#23H                ;read from XRAM with address @23H
MOVX   A,@R1

MOV    DPTR,#0023H           ;write #5BH to XRAM with address @0023H
MOV    A,#5BH
MOVX   @DPTR,A

MOV    DPTR,#0023H           ;read from XRAM with address @0023H
MOVX   A,@DPTR

```

6.6 On-chip scratch-pad RAM and SFR

The N79E845/844/8432 provides the on-chip 256 bytes scratch pad RAM and Special Function Registers (SFRs) which be accessed by software. The SFRs be accessed only by direct addressing, while the on-chip RAM be accessed by either direct or indirect addressing.

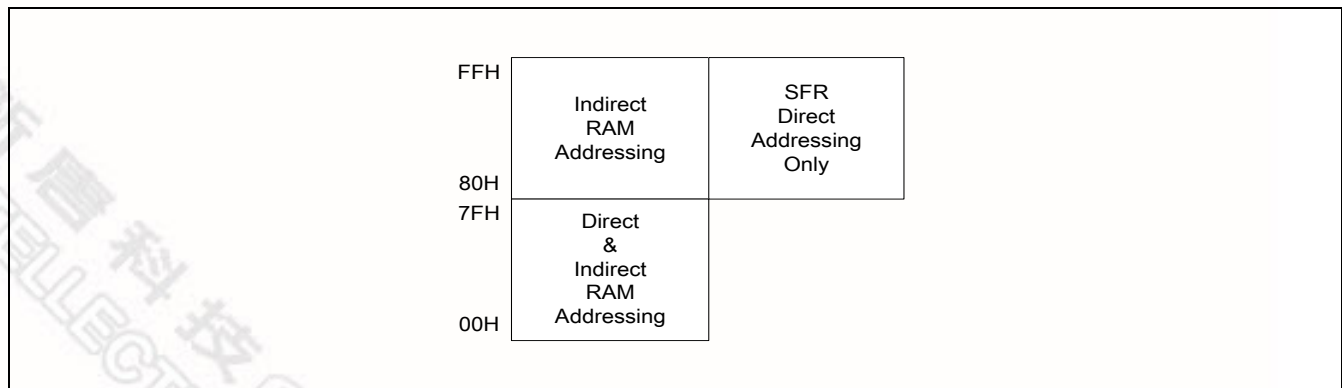


Figure 6-3 256 bytes RAM and SFR

Since the scratch-pad RAM is only 256 byte it can be used only when data contents are small. There are several other special purpose areas within the scratch-pad RAM, which are described as follows.

FFH	Indirect Accessing RAM							
80H 7FH	Direct or Indirect Accessing RAM							
30H	7F	7E	7D	7C	7B	7A	79	78
2FH	77	76	75	74	73	72	71	70
2EH	6F	6E	6D	6C	6B	6A	69	68
2DH	67	66	65	64	63	62	61	60
2CH	5F	5E	5D	5C	5B	5A	59	58
2BH	57	56	55	54	53	52	51	50
2AH	4F	4E	4D	4C	4B	4A	49	48
29H	47	46	45	44	43	42	41	40
28H	3F	3E	3D	3C	3B	3A	39	38
27H	37	36	35	34	33	32	31	30
26H	2F	2E	2D	2C	2B	2A	29	28
25H	27	26	25	24	23	22	21	20
24H	1F	1E	1D	1C	1B	1A	19	18
23H	17	16	15	14	13	12	11	10
22H	0F	0E	0D	0C	0B	0A	09	08
21H	07	06	05	04	03	02	01	00
20H	Register Bank 3							
1FH	Register Bank 2							
18H 17H	Register Bank 1							
10H 0FH	Register Bank 0							
08H 07H								
00H								

Figure 6-4 Data Memory and Bit-addressable Region

6.7 Working Registers

There are four sets of working registers, each consisting of eight 8-bit registers, which are termed as Banks 0, 1, 2, and 3. Individual registers within these banks can be directly accessed by separate instructions, which individual registers are named as R0, R1, R2, R3, R4, R5, R6 and R7. However, at one time the N79E845/844/8432 can work with only one particular bank. The bank selection is done by setting RS1-RS0 bits in the PSW. The R0 and R1 registers are used to store the address for indirect accessing.

6.8 Bit-addressable Locations

The Scratch-pad RAM area from location 20h to 2Fh is byte as well as bit-addressable. This means that a bit in this area can be individually addressed. In addition, some of the SFRs are also bit-addressable. The instruction decoder is able to distinguish a bit access from a byte access by the type of the instruction itself. In the SFR area, any existing SFR whose address ends in 0 or 8 is bit-addressable.

6.9 Stack

The scratch-pad RAM can be used for the stack. This area is selected by the Stack Pointer (SP), which stores the address of the top of the stack. Whenever a jump, call or interrupt is invoked the return address is placed on the stack. There is no restriction as to where the stack can begin in the RAM. By default however, the Stack Pointer contains 07h at reset. The user can then change this to any value desired. The SP will point to the last used value. Therefore, the SP will be incremented and then address saved onto the stack. Conversely, while popping from the stack the contents will be read first, and then the SP is decreased.

7 Special Function Register (SFR)

The N79E845/844/8432 uses Special Function Registers (SFRs) to control and monitor peripherals and their modes. The SFRs reside in the register locations 80~FFH and are accessed by direct addressing only. Some of the SFRs are bit-addressable. This is very useful in cases where user would like to modify a particular bit directly without changing other bits. Those which are bit-addressable SFRs end their addresses as 0H or 8H. The N79E845/844/8432 contains all the SFRs presenting in the standard 8051. However some additional SFRs are built in. Therefore, some of unused bytes in the original 8051 have been given new functions. The SFRs are listed as follows.

Table 7-1 N79E845/844/8432 Special Function Registers (SFR) Mapping

F8	ADCCON0	-	-	-	-	-	-	EIP	FF
F0	B	-	-	SPCR	SPSR	SPDR	P0DIDS	EIPH	F7
E8	EIE	KBIE	KBIF	KBLS0	KBLS1	C2L	C2H	-	EF
E0	ACC	ADCCON1	ADCH	-	C0L	C0H	C1L	C1H	E7
D8	WDCON0	PWMPL	PWM0L	PWM1L	PWMCON0	PWM2L	PWM3L	PWMCON1	DF
D0	PSW	PWMPH	PWM0H	PWM1H	-	PWM2H	PWM3H	PWMCON2	D7
C8	T2CON	T2MOD	RCOMP2L	RCOM2H	TL2	TH2	-	-	CF
C0	I2CON	I2ADDR	-	-	-	-	-	TA	C7
B8	IP	SADEN	-	-	I2DAT	I2STA	I2CLK	I2TOC	BF
B0	P3	P0M1	P0M2	P1M1	P1M2	-	-	IPH	B7
A8	IE	SADDR	-	WDCON1	-	-	ISPFD	ISPCN	AF
A0	-	-	AUXR1	PMCR	ISPTRG	-	ISPAL	ISPAH	A7
98	SCON	SBUF	-	-	SHBDA	-	-	CHPCON	9F
90	P1	-	CAPCON0	CAPCON1	CAPCON2	DIVM	P3M1	P3M2	97
88	TCON	TMOD	TL0	TL1	TH0	TH1	CKCON	-	8F
80	P0	SP	DPL	DPH	-	-	-	PCON	87

In Bold bit-addressable
 - reserved

Note:

1. The reserved SFR addresses should be kept in their own initial states. User should never change their values.
2. The SFRs in the column with dark borders are bit-addressable

* With TA-Protection. (Time Access Protection)



Table 7–2 N79E845/844/8432 SFR Description and Reset Values

Symbol	Definition	Address	MSB							LSB			Reset Value ^[1]
EIP	Interrupt Priority 1	FFH	PT2	PSPI	PPWM	PWDI	-	-	PKB	PI2		0000 0000B	
ADCCON0	ADC control register 0	F8H	(FF) ADC.1	(FE) ADC.0	(FD) ADCEX	(FC) ADCI	(FB) ADCS	(FA) AADR2	(F9) AADR1	(F8) AADR0		0000 0000B	
EIPH	Interrupt High Priority 1	F7H	PT2H	PSPIH	PPWMH	PWDIH	-	-	PKBH	PI2H		0000 0000B	
PODIDS	Port 0 Digital Input Disable	F6H	PODIDS[7:0]									0000 0000B	
SPDR	Serial Peripheral Data Register	F5H	SPDR[7:0]									0000 0000B	
SPSR	Serial Peripheral Status Register	F4H	SPIF	WCOL	SPIOVF	MODF	DISMODF	-	-	-		0000 0000B	
SPCR	Serial Peripheral Control Register	F3H	SSOE	SPIEN	LSBFE	MSTR	CPOL	CPHA	SPR1	SPR0		0000 0100B	
B	B register	F0H	(F7) B.7	(F6) B.6	(F5) B.5	(F4) B.4	(F3) B.3	(F2) B.2	(F1) B.1	(F0) B.0		0000 0000B	
C2H	Input Capture 2 High	EEH	C2H[7:0]									0000 0000B	
C2L	Input Capture 2 Low	EDH	C2L[7:0]									0000 0000B	
KBLS1	Keyboard level select 1	ECH	KBLS1[7:0]									0000 0000B	
KBLS0	Keyboard level select 0	EBH	KBLS0[7:0]									0000 0000B	
KBIF	KBI Interrupt Flag	EAH	KBIF[7:0]									0000 0000B	
KBIE	Keyboard Interrupt Enable	E9H	KBIE[7:0]									0000 0000B	
EIE	Interrupt enable 1	E8H	(EF) ET2	(EE) ESPI	(ED) EPWM	(EC) EWDI	(E7)	(E8) ECPTF	(E9) EKB	(E8) EI2C		0000 0000B	
C1H	Input Capture 1 High	E7H	C1H[7:0]									0000 0000B	
C1L	Input Capture 1 Low	E6H	C1L[7:0]									0000 0000B	
C0H	Input Capture 0 High	E5H	C0H[7:0]									0000 0000B	
C0L	Input Capture 0 Low	E4H	C0L[7:0]									0000 0000B	
ADCH	ADC converter result	E2H	ADC.9	ADC.8	ADC.7	ADC.6	ADC.5	ADC.4	ADC.3	ADC.2		0000 0000B	
ADCCON1	ADC control register1	E1H	ADCEN	-	-	-	-	-	RCCLK	ADC0SEL		0000 0000B	
ACC	Accumulator	E0H	(E7) ACC.7	(E6) ACC.6	(E5) ACC.5	(E4) ACC.4	(E3) ACC.3	(E2) ACC.2	(E1) ACC.1	(E0) ACC.0		0000 0000B	
PWMCON1	PWM control register 1	DFH	BKCH	BKPS	BPEN	BKEN	PWM3B	PWM2B	PWM1B	PWM0B		0000 0000B	
PWM3L	PWM 3 low bits register	DEH	PWM3.7	PWM3.6	PWM3.5	PWM3.4	PWM3.3	PWM3.2	PWM3.1	PWM3.0		0000 0000B	
PWM2L	PWM 2 low bits register	DDH	PWM2.7	PWM2.6	PWM2.5	PWM2.4	PWM2.3	PWM2.2	PWM2.1	PWM2.0		0000 0000B	
PWMCON0	PWM control register 0	DCH	PWMRUN	LOAD	CF	CLRPWM	PWM3I	PWM2I	PWM1I	PWM0I		0000 0000B	
PWM1L	PWM 1 low bits register	DBH	PWM1.7	PWM1.6	PWM1.5	PWM1.4	PWM1.3	PWM1.2	PWM1.1	PWM1.0		0000 0000B	
PWM0L	PWM 0 low bits register	DAH	PWM0.7	PWM0.6	PWM0.5	PWM0.4	PWM0.3	PWM0.2	PWM0.1	PWM0.0		0000 0000B	
PWMPH	PWM counter high register	D9H	PWMP0.7	PWMP0.6	PWMP0.5	PWMP0.4	PWMP0.3	PWMP0.2	PWMP0.1	PWMP0.0		0000 0000B	
WDCON0 ^[4] [3]	Watch-Dog control 0	D8H	(DF) WDTEN	(DE) WDCLR	(DD) WDTF	(DC) WIDPD	(DB) WDTRF	(DA) WPS2	(D9) WPS1	(D8) WPS0		Power-ON C000 0000B Watch reset COU0 1UUUB Other reset COU0 UUUUB	
PWMCON2	PWM control register 2	D7H	-	-	-	-	FP1	FP0	-	BKF		0000 0000B	
PWM3H	PWM 3 high bits register	D6H	-	-	-	-	-	-	PWM3.9	PWM3.8		0000 0000B	
PWM2H	PWM 2 high bits register	D5H	-	-	-	-	-	-	PWM2.9	PWM2.8		0000 0000B	
PWM1H	PWM 1 high bits register	D3H	-	-	-	-	-	-	PWM1.9	PWM1.8		0000 0000B	
PWM0H	PWM 0 high bits register	D2H	-	-	-	-	-	-	PWM0.9	PWM0.8		0000 0000B	
PWMPH	PWM counter high register	D1H	-	-	-	-	-	-	PWMP0.9	PWMP0.8		0000 0000B	
PSW	Program status word	D0H	(D7) CY	(D6) AC	(D5) F0	(D4) RS1	(D3) RS0	(D2) OV	(D1) F1	(D0) P		0000 0000B	
TH2	Timer 2 MSB	CDH	TH2[7:0]									0000 0000B	



Table 7–2 N79E845/844/8432 SFR Description and Reset Values

Symbol	Definition	Address	MSB								LSB		Reset Value ^[1]
TL2	Timer 2 LSB	CCH	TL2[7:0]										0000 0000B
RCOMP2H	Timer 2 Reload MSB	CBH	RCOMP2H[7:0]										0000 0000B
RCOMP2L	Timer 2 Reload LSB	CAH	RCOMPL2[7:0]										0000 0000B
T2MOD	Timer 2 Mode	C9H	LDEN	T2DIV[2:0]				CAPCR	COMPCCR	LDTS[1:0]			0000 0000B
T2CON	Timer 2 Control	C8H	(CF) TF2	-	-	-	-	(CA) TR2	-	(C8) CP/RL2		0000 0000B	
TA	Timed Access Protection	C7H											1111 1111B
I2ADDR	I2C address	C1H	ADDR[7:1]								GC		0000 0000B
I2CON	I2C Control register	C0H	(C7) -	(C6) I2CEN	(C5) STA	(C4) STO	(C3) SI	(C2) AA	(C1) -	(C0) -		0000 0000B	
I2TOC	I2C Time-out Counter register	BFH	-	-	-	-	-	I2TOCEN	DIV	I2TOF		0000 0000B	
I2CLK	I2C Clock Rate	BEH	I2CLK[7:0]										0000 0000B
I2STA	I2C Status Register	BDH	I2STA[7:3]						0	0	0		1111 1000B
I2DAT	I2C Data Register	BCH	I2DAT[7:0]										0000 0000B
SADEN	Slave address mask	B9H	SADEN[7:0]										0000 0000B
IP	Interrupt priority	B8H	(BF) PCAP	(BE) PADC	(BD) PBOD	(BC) PS	(BB) PT1	(BA) PX1	(B9) PT0	(B8) PX0		0000 0000B	
IPH	Interrupt high priority	B7H	PCAPH	PADCH	PBODH	PSH	PT1H	PX1H	PT0H	PX0H		0000 0000B	
P1M2	Port 1 output mode 2	B4H	P1M2.7	P1M2.6	-	P1M2.4	P1M2.3	P1M2.2	P1M2.1	P1M2.0		0000 0000B	
P1M1	Port 1 output mode 1	B3H	P1M1.7	P1M1.6	-	P1M1.4	P1M1.3	P1M1.2	P1M1.1	P1M1.0		0000 0000B	
P0M2	Port 0 output mode 2	B2H	P0M2[7:0]										0000 0000B
P0M1	Port 0 output mode 1	B1H	P0M1[7:0]										0000 0000b
P3	Port3	B0H	-	-	-	-	-	-	(B1) X1	(B0) X2 CLKOUT		0000 0011B	
ISPCN	ISP Control Register	AFH	ISPA17	ISPA16	FOEN	FCEN	FCTRL3	FCTRL2	FCTRL1	FCTRL0		0011 0000B	
ISPF	ISP Flash Data Register	AEH	ISPF[7:0]										0000 0000B
WDCON ^[4]	Watch-Dog control1	ABH	-	-	-	-	-	-	-	EWRST		0000 0000B	
SADDR	Slave address	A9H	SADDR[7:0]										00000000B
IE	Interrupt enable	A8H	(AF) EA	(AE) EADC	(AD) EBOD	(AC) ES	(AB) ET1	(AA) EX1	(A9) ETO	(A8) EX0		0000 0000B	
ISPAH	ISP Flash Address High-byte	A7H	ISPAH[7:0]										0000 0000B
ISPAL	ISP Flash Address Low-byte	A6H	ISPAL[7:0]										0000 0000B
ISPTRG ^[4]	ISP Trigger Register	A4H	-	-	-	-	-	-	-	ISPGO		0000 0000B	
PMCR ^{[2][4]}	Power Monitor Control Register	A3H	BODEN	BOV	-	BORST	BOF	-	-	-		Power-on CCOC 100XB BOR reset UUOU 100XB Other reset UUUU 000XB	
AUXR1	AUX function register	A2H	-	-	-	-	-	-	0	DPS		0000 0000B	
CHPCON ^[4]	Chip Control	9FH	SWRST	ISPF (Read only)	LDUE	-	-	-	BS ^[3]	ISPEN		Power-ON 0000 00C0B Other reset 0000 00C0B	
SHBDA ^[4]	High-byte Data Flash Start Address	9CH	SHBDA[7:0], SHBDA Initial by CHBDA										Power ON CCCC CCCC Other Reset UUUU UUUUB
SBUF	Serial buffer	99H	SBUF.7	SBUF.6	SBUF.5	SBUF.4	SBUF.3	SBUF.2	SBUF.1	SBUF.0		0000 0000B	

Table 7–2 N79E845/844/8432 SFR Description and Reset Values

Symbol	Definition	Address	MSB								LSB		Reset Value ^[1]
			(9F) SM0/FE	(9E) SM1	(9D) SM2	(9C) REN	(9B) TB8	(9A) RB8	(99) TI	(98) RI			
SCON	Serial control	98H										0000 0000B	
P3M2	Port 3 output mode 2	97H	-	-	-	-	-	ENCLK	P3M2.1	P3M2.0	00000000B		
P3M1	Port 3 output mode 1	96H	P3S	-	P1S	P0S	T1OE	T0OE	P3M1.1	P3M1.0	00000000B		
DIVM	CPU Clock Divide Register	95H	DIVM[7:0]								0000 0000B		
CAPCON2	Input capture control 2	94H	-	-	ENF1	ENF0	-	-	-	-	0000 0000B		
CAPCON1	Input capture control 1	93H	-	-			CAP1LS1[2:0]		CAP1LS1[2:0]		0000 0000B		
CAPCON0	Input capture control 0	92H	-	-	CAPEN1	CAPEN0	-	-	CAPF1	CAPF0	0000 0000B		
P1	Port 1	90H	(97) P17	(96) P16	-	(94) P14	(93) P13	(92) P12	(91) P11	(90) P10	1111 1111B		
CKCON	Clock control	8EH	-	-	-	T1M	T0M	-	-	-	0000 0000B		
TH1	Timer high 1	8DH	TH1[7:0]								0000 0000B		
TH0	Timer high 0	8CH	TH0[7:0]								0000 0000B		
TL1	Timer low 1	8BH	TL1[7:0]								0000 0000B		
TL0	Timer low 0	8AH	TL0[7:0]								0000 0000B		
TMOD	Timer mode	89H	GATE	C/T	M1	M0	GATE	C/T	M1	M0	0000 0000B		
TCON	Timer control	88H	(8F) TF1	(8E) TR1	(8D) TF0	(8C) TR0	(8B) IE1	(8A) IT1	(89) IE0	(88) IT0	0000 0000B		
PCON	Power control	87H	SMOD	SMOD0	-	POF	GF1	GF0	PD	IDL	Power-on 0001 0000B Other reset 000u 0000B		
DPH	Data pointer high	83H	DPH[7:0]								0000 0000B		
DPL	Data pointer low	82H	DPL[7:0]								0000 0000B		
SP	Stack pointer	81H	SP[7:0]								0000 0111B		
P0	Port 0	80H	(87) P07	(86) P06	(85) P05	(84) P04	(83) P03	(82) P02	(81) P01	(80) P00	1111 1111B		

Note: Bits marked in "-" should be kept in their own initial states. User should never change their values.

Note:

- [1.] () item means the bit address in bit-addressable SFRs.
- [2.] BODEN, BOV and BORST are initialized by CONFIG2 at power-on reset, and keep unchanged at any other resets. If BODEN=1, BOF will be automatically set by hardware at power-on reset, and keeps unchanged at any other resets.
- [3.] Initialized by power-on reset. WDTEN=/CWDTEN; BS=/CBS;
- [4.] With TA-Protection. (Time Access Protection)
- [5.] Notation "C" means the bit is defined by CONFIG-bits; "U" means the bit is unchanged after any reset except power-on reset.
- [6.] Reset value symbol description. 0: logic 0, 1: logic 1, U: unchanged, X:, C: initial by CONFIG.



8 General 80C51 System Control

A or ACC – Accumulator (Bit-addressable)

7	6	5	4	3	2	1	0
ACC.7	ACC.6	ACC.5	ACC.4	ACC.3	ACC.2	ACC.1	ACC.0
R/W	R/W	R/W	R/W	R/W	R/W	R/W	R/W

Address: E0H

Reset value: 0000 0000B

Bit	Name	Description
7:0	ACC[7:0]	Accumulator. The A or ACC register is the standard 8051 accumulator for arithmetic operation.

B – B Register (Bit-addressable)

7	6	5	4	3	2	1	0
B.7	B.6	B.5	B.4	B.3	B.2	B.1	B.0
R/W	R/W	R/W	R/W	R/W	R/W	R/W	R/W

Address: F0H

Reset value: 0000 0000B

Bit	Name	Description
7:0	B[7:0]	B Register The B register is the other accumulator of the standard 8051. It is used mainly for MUL and DIV operations.

SP – Stack Pointer

7	6	5	4	3	2	1	0
SP[7:0]							
R/W							

Address: 81H

Reset value: 0000 0111B

Bit	Name	Description
7:0	SP[7:0]	Stack Pointer The Stack Pointer stores the scratch-pad RAM address where the stack begins. It is incremented before data is stored during PUSH or CALL instructions. Note that the default value of SP is 07H. It causes the stack to begin at location 08H.

**DPL – Data Pointer Low Byte**

7	6	5	4	3	2	1	0
DPL[7:0]							
R/W							

Address: 82H

Reset value: 0000 0000B

Bit	Name	Description
7:0	DPL[7:0]	<p>Data Pointer Low Byte</p> <p>This is the low byte of the standard 8051 16-bit data pointer. DPL combined with DPH serve as 16-bit data pointer DPTR to address non-scratch-pad memory or Program Memory.</p>

DPH – Data Pointer High Byte

7	6	5	4	3	2	1	0
DPH[7:0]							
R/W							

Address: 83H

Reset value: 0000 0000B

Bit	Name	Description
7:0	DPH[7:0]	<p>Data pointer high byte</p> <p>This is the high byte of the standard 8051 16-bit data pointer. DPH combined with DPL serve as 16-bit data pointer DPTR to address non-scratch-pad memory or Program Memory.</p>

PSW – Program Status Word (Bit-addressable)

7	6	5	4	3	2	1	0
CY	AC	F0	RS1	RS0	OV	F1	P
R/W	R/W	R/W	R/W	R/W	R/W	R/W	R

Address: D0H

Reset value: 0000 0000B

Bit	Name	Description
7	CY	<p>Carry Flag</p> <p>For a adding or subtracting operation, CY will be set when the previous operation resulted in a carry-out from or a borrow-in to the Most Significant bit, otherwise cleared. If the previous operation is MUL or DIV, CY is always 0.</p> <p>CY is affected by DA A instruction which indicates that if the original BCD sum is greater than 100. For a CJNE branch, CY will be set if the first unsigned integer value is less than the second one. Otherwise, CY will be cleared.</p>
6	AC	<p>Auxiliary Carry</p> <p>Set when the previous operation resulted in a carry-out from or a borrow-in to the 4th bit of the low order nibble, otherwise cleared.</p>



Bit	Name	Description																				
5	F0	<p>User Flag 0</p> <p>The general-purpose flag that can be set or cleared by the user.</p>																				
4	RS1	<p>Register Bank Selecting Bits</p> <p>The two bits select one of four banks in which R0~R7 locate.</p> <table border="1"> <thead> <tr> <th>RS1</th> <th>RS0</th> <th>Register Bank</th> <th>RAM Address</th> </tr> </thead> <tbody> <tr> <td>0</td> <td>0</td> <td>0</td> <td>00~07H</td> </tr> <tr> <td>0</td> <td>1</td> <td>1</td> <td>08~0FH</td> </tr> <tr> <td>1</td> <td>0</td> <td>2</td> <td>10~17H</td> </tr> <tr> <td>1</td> <td>1</td> <td>3</td> <td>18~1FH</td> </tr> </tbody> </table>	RS1	RS0	Register Bank	RAM Address	0	0	0	00~07H	0	1	1	08~0FH	1	0	2	10~17H	1	1	3	18~1FH
RS1	RS0		Register Bank	RAM Address																		
0	0		0	00~07H																		
0	1	1	08~0FH																			
1	0	2	10~17H																			
1	1	3	18~1FH																			
3	RS0																					
2	OV	<p>Overflow Flag</p> <p>OV is used for a signed character operands. For an ADD or ADDC instruction, OV will be set if there is a carry out of bit 6 but not out of bit 7, or a carry out of bit 7 but not bit 6. Otherwise, OV is cleared. OV indicates a negative number produced as the sum of two positive operands or a positive sum from two negative operands. For a SUBB, OV is set if a borrow is needed into bit6 but not into bit 7, or into bit7 but not bit 6. Otherwise, OV is cleared. OV indicates a negative number produced when a negative value is subtracted from a positive value or a positive result when a positive number is subtracted from a negative number.</p> <p>For a MUL, if the product is greater than 255 (00FFH), OV will be set. Otherwise, it is cleared.</p> <p>For a DIV, it is normally 0. However, if B had originally contained 00H, the values returned in A and B will be undefined. Meanwhile, the OV will be set.</p>																				
1	F1	<p>User Flag 1</p> <p>The general purpose flag that can be set or cleared by the user via software.</p>																				
0	P	<p>Parity Flag</p> <p>Set to 1 to indicate an odd number of ones in the accumulator. Cleared for an even number of ones. It performs even parity check.</p>																				

Table 8-1 Instructions that Affect Flag Settings

Instruction	CY	OV	AC	Instruction	CY	OV	AC
ADD	X ^[1]	X	X	CLR C	0		
ADDC	X	X	X	CPL C	X		
SUBB	X	X	X	ANL C, bit	X		
MUL	0	X		ANL C, /bit	X		
DIV	0	X		ORL C, bit	X		
DA A	X			ORL C, /bit	X		
RRC A	X			MOV C, bit	X		



Instruction	CY	OV	AC	Instruction	CY	OV	AC
RLC A	X			CJNE	X		
SETB C	1						

[1] X indicates the modification is dependent on the result of the instruction

PCON – Power Control

7	6	5	4	3	2	1	0
SMOD	SMOD0	-	POF	GF1	GF0	PD	IDL
R/W	R/W	-	R/W	R/W	R/W	R/W	R/W

Address: 87H

Reset value: see Table 7-2 N79E845/844/8432 SFR Description and Reset Values

Bit	Name	Description
3	GF1	General Purpose Flag 1 The general purpose flag that can be set or cleared by the user.
2	GF0	General Purpose Flag 0 The general purpose flag that can be set or cleared by the user.

General 80C51 support one DPTR but the N79E845/844/8432 support two DPTRs by switching AUXR1.DPS. The setting is as follows:

AUXR1 – AUX Function Resgister-1

7	6	5	4	3	2	1	0
-	-	-	-	-	-	0	DPS
-	-	-	-	-	-	R	R/W

Address: A2H

Reset value: 0000 0000B

Bit	Name	Description
0	DPS	Dual Data Pointer Selection 0 = Select DPTR of standard 8051. 1 = Select DPTR1



9 I/O Port Structure and Operation

For N79E845/844/8432, there are **four** I/O ports — port 0, port 1, port2 and port 3. If using on-chip RC oscillator and reset pin configurations, the N79E845/844/8432 can support up to **17** pins. All I/O pins besides P1.2 and P1.3 can be configured to one of four types by software as shown in the following table.

Table 9–1 Setting Table for I/O Ports Structure

PxM1.y	PxM2.y	Port I/O Mode
0	0	Quasi-bidirectional
0	1	Push-Pull
1	0	Input Only (High Impedance)
1	1	Open Drain

Note: P1.2 and P1.3 are not effective in this table.

After reset, these pins are in quasi-bidirectional mode except P1.2 and P1.3 pins.

The P1.2 and P1.3 are dedicating open-drain pin for I2C interface after reset.

Each I/O port of the N79E845/844/8432 may be selected to use TTL level inputs or Schmitt inputs by P(n)S bit on P3M1 register; where n is 0, 1 or 3. When P(n)S is set to 1, Ports are selected Schmitt trigger inputs on Port(n).

The P3.0 (XTAL2) can be configured as clock output when used on-chip RC is clock source, and the frequency of clock output is divided by 4 on on-chip RC clock.

9.1 Quasi-Bidirectional Output Configuration

The default port configuration for standard the N79E845/844/8432 I/O ports are the “Quasi-bidirectional” mode that is common on the 80C51 and most of its derivatives. This type rules as both input and output. When the port outputs logic high, it is weakly driven, allowing an external device to pull the pin low. When the pin is pulled low, it is driven strongly and able to sink a large current. In the quasi bidirectional I/O structure, there are three pull-up transistors. Each of them serves different purposes. One of these pull-ups, called the “very weak” pull-up, is turned on whenever the port latch contains logic 1. The “very weak” pull-up sources a very small current that will pull the pin high if it is left floating.

A second pull-up, called the “weak” pull-up, is turned on when the outside port pin itself is at logic 1 level. This pull-up provides the primary source current for a quasi-bidirectional pin that is outputting 1. If a pin that has logic 1 on it is pulled low by an external device, the “weak” pull-up turns off, and only the “very weak” pull-up remains on. To pull the pin low under these conditions, the external device has to sink enough current (larger than I_{TL}) to overcome the “weak” pull-up and make the voltage on the port pin below its input threshold (lower than V_{IL}).

The third pull-up is the “strong” pull-up. This pull-up is used to speed up low-to-high transitions on a quasi-bidirectional port pin when the port latch changes from a logic 0 to logic 1. When this occurs, the strong pull-up turns on for two-

peripheral-clock time to pull the port pin high quickly. Then it turns off and “weak: pull-up continues remaining the port pin high. The quasi bidirectional port structure is shown below.

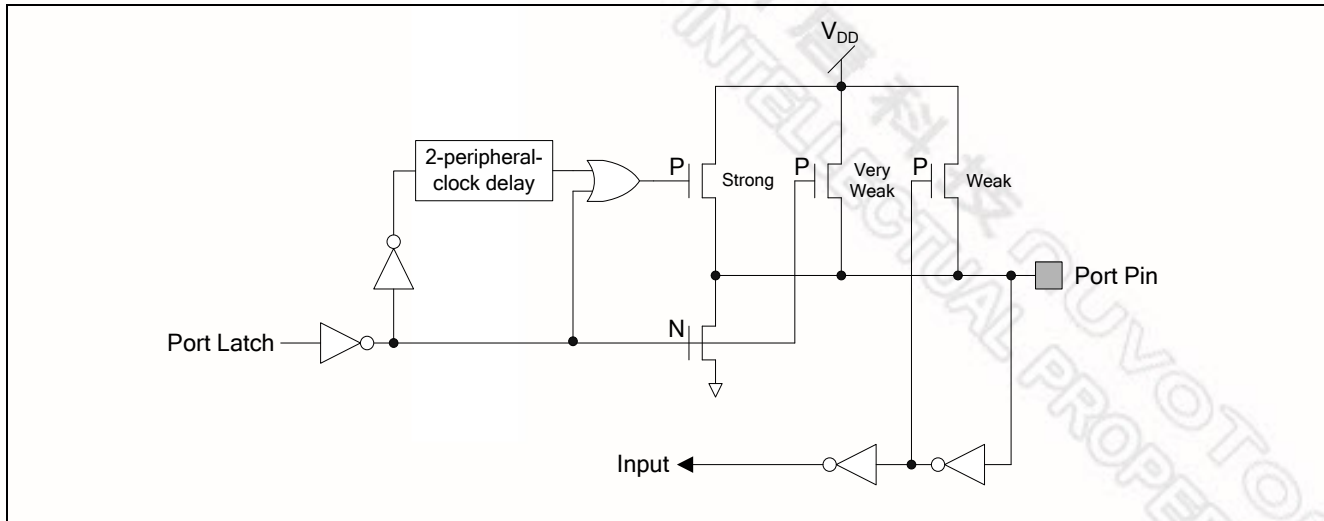


Figure 9-1 Quasi Bi-direction I/O Structure

9.1.1 Read-Modify-Write

In the standard 8051 instruction set, user should watch out for one kind of instructions, read-modify-write instructions. Instead of the normal instructions, the read-modify-write instructions read the internal port latch (Px in SFRs) rather than the external port pin state. This kind of instructions read the port SFR value, modify it and write back to the port SFR. Read-modify-write instructions are listed as follows.

Instruction	Description
ANL	Logical AND. (ANL Px,A and ANL Px,direct)
ORL	Logical OR. (ORL Px,A and ORL Px,direct)
XRL	Logical exclusive OR. (XRL Px,A and XRL Px,direct)
JBC	Jump if bit = 1 and clear it. (JBC Px.y,LABEL)
CPL	Complement bit. (CPL Px.y)
INC	Increment. (INC Px)
DEC	Decrement. (DEC Px)
DJNZ	Decrement and jump if not zero. (DJNZ Px,LABEL)
MOV	Px.y,C Move carry bit to Px.y.
CLR	Px.y Clear bit Px.y.
SETB	Px.y Set bit Px.y.

The last three seems not obviously read-modify-write instructions but actually they are. They read the entire port latch value, modify the changed bit, and then write the new value back to the port latch.

9.2 Open Drain Output Configuration

The open drain output configuration turns off all pull-ups and only drives the pull-down transistor of the port driver when the port latch contains logic 0. To be used as a logic output, a port configured in this manner should have an external pull-up, typically a resistor tied to V_{DD} . The pull-down for this mode is the same as for the quasi-bidirectional mode. The open drain port configuration is shown below.

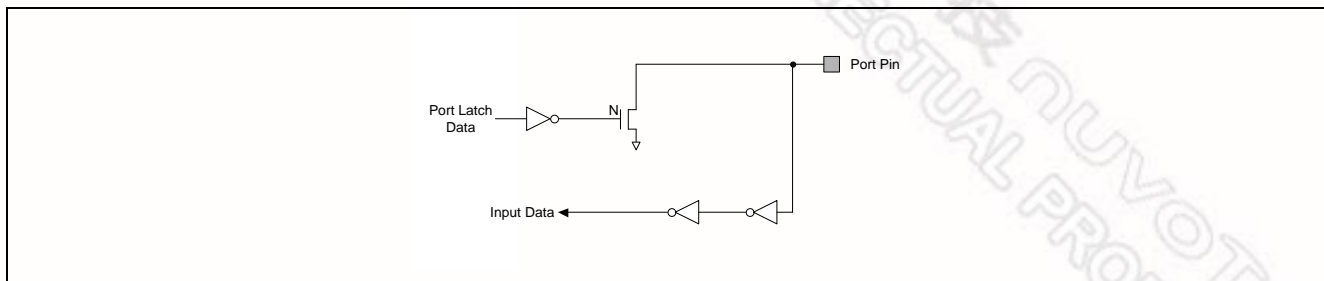


Figure 9-2 Open Drain Output

9.3 Push-Pull Output Configuration

The push-pull output configuration has the same pull-down structure as both the open drain and the quasi-bidirectional output modes, but provides a continuous strong pull-up when the port latch contains logic 1. The push-pull mode may be used when more source current is needed from a port output. The push-pull port configuration is shown in Figure 9-2. The two port pins that cannot be configured are P1.2 (SCL) and P1.3 (SDA). The port pins P1.2 and P1.3 are permanently configured as open drain outputs. They may be used as inputs by writing ones to their respective port latches. Additionally, port pins P3.0 and P3.1 are disabled for both input and output if one of the crystal oscillator options is chosen. Those options are described in the Oscillator section.

When port pins are driven high at reset, they are in quasi-bidirectional mode and therefore do not source large amounts of current. Every output on the N79E845/844/8432 may potentially be used as a 38 mA sink LED drive output. However, there is a maximum total output current for all ports which should not be exceeded.

All ports pins of the N79E845/844/8432 have slew rate controlled outputs. This is to limit noise generated by quickly switching output signals. The slew rate is factory set to approximately 10 ns rise and fall times. The bits in the P3M1 register that are not used to control configuration of P3.1 and P3.0 are used for other purposes, which bits can enable Schmitt trigger inputs on each I/O port, enable toggle outputs from Timer 0 and Timer 1, and enable a clock output if either the internal RC oscillator or external clock input is being used. The last two functions are described in the Timers/Counters and Oscillator sections respectively. Each I/O port of the N79E845/844/8432 may be selected to use TTL level inputs or Schmitt inputs with hysteresis. A single configuration bit determines this selection for the entire port.

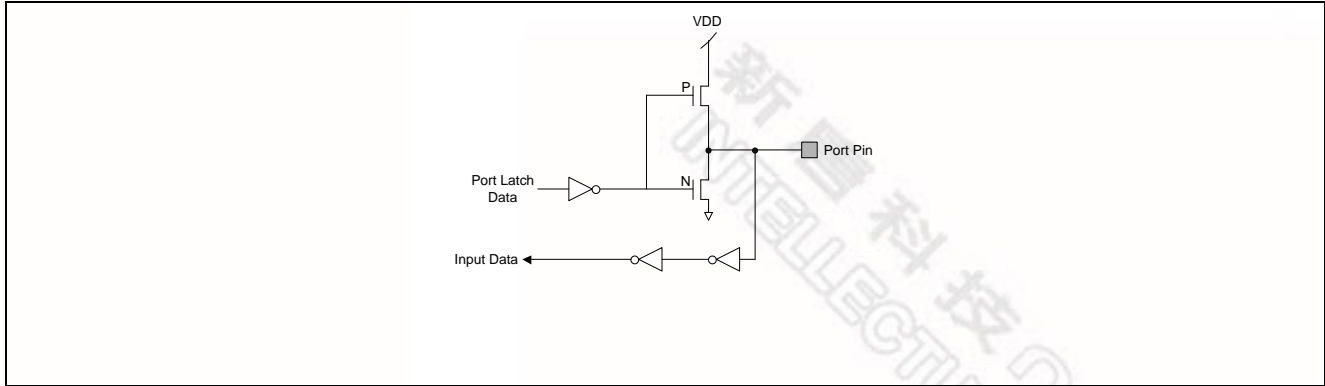


Figure 9-3 Push-Pull Output

9.4 Input Only Configuration

By setting this mode; the ports are only input mode. After setting this mode, the pin will be Hi-Impedence.

P0 – Port 0 (Bit-addressable)

7	6	5	4	3	2	1	0
P07	P06	P05	P04	P03	P02	P01	P00
R/W	R/W	R/W	R/W	R/W	R/W	R/W	R/W

Address: 80H

Reset value: 1111 1111B

Bit	Name	Description
7:0	P0[7:0]	Port 0. Port 0 is an 8-bit quasi bidirectional I/O port.

P1 – Port 1 (Bit-addressable)

7	6	5	4	3	2	1	0
P17	P16	-	P14	P13	P12	P11	P10
R/W	R/W	-	R/W	R/W	R/W	R/W	R/W

Address: 90H

Reset value: 1111 1111B

Bit	Name	Description
7:0	P1[7:0]	Port 1 These pins are in quasi-bidirectional mode except P1.2 and P1.3 pins. The P1.2 and P1.3 are dedicating open-drain pins for I ² C interface after reset.

**P3 – Port 3 (Bit-addressable)**

7	6	5	4	3	2	1	0
-	-	-	-	-	-	P31	P30
-	-	-	-	-	-	R/W	R/W

Address: B0H

Reset value: 0000 0011B

Bit	Name	Description
7:2	-	Reserved
1	P3.1	X1 or I/O pin by alternative.
0	P3.0	X2 or CLKOUT or I/O pin by alternative.

P0M1 – Port 0 Output Mode1

7	6	5	4	3	2	1	0
P0M1.7	P0M1.6	P0M1.5	P0M1.4	P0M1.3	P0M1.2	P0M1.1	P0M1.0
R/W	R/W	R/W	R/W	R/W	R/W	R/W	R/W

Address: B1H

Reset value: 0000 0000B

P0M2 – Port 0 Output Mode2

7	6	5	4	3	2	1	0
P0M2.7	P0M2.6	P0M2.5	P0M2.4	P0M2.3	P0M2.2	P0M2.1	P0M2.0
R/W	R/W	R/W	R/W	R/W	R/W	R/W	R/W

Address: B2H

Reset value: 0000 0000B

P1M1 – Port 1 Output Mode1

7	6	5	4	3	2	1	0
P1M1.7	P1M1.6	-	P1M1.4	P1M1.3	P1M1.2	P1M1.1	P1M1.0
R/W	R/W	-	R/W	R/W	R/W	R/W	R/W

Address: B3H

Reset value: 0000 0000B

P1M2 – Port 1 Output Mode2

7	6	5	4	3	2	1	0
P1M2.7	P1M2.6	-	P1M2.4	P1M2.3	P1M2.2	P1M2.1	P1M2.0
R/W	R/W	-	R/W	R/W	R/W	R/W	R/W

Address: B4H

Reset value: 0000 0000B

P3M1 – Port3 Output Mode1

7	6	5	4	3	2	1	0
P3S	-	P1S	P0S	T1OE	T0OE	P3M1.1	P3M1.0
R/W	-	R/W	R/W	R/W	R/W	R/W	R/W

Address: 96H

Reset value: 0000 0000B

Bit	Name	Description
7	P3S	Enable Schmitt trigger inputs on Port 3.
6	-	Reserved



Bit	Name	Description
5	P1S	Enable Schmitt trigger inputs on Port 1.
4	P0S	Enable Schmitt trigger inputs on Port 0.
1	P3M1.1	Control the output configuration of P3.1.
0	P3M1.0	Control the output configuration of P3.0.

P3M2 – Port3 Output Mode2

7	6	5	4	3	2	1	0
-	-	-	-	-	ENCLK	P3M2.1	P3M2.0
-	-	-	-	-	R/W	R/W	R/W

Address: 97H

Reset value: 0000 0000B

Bit	Name	Description
7:3	-	Reserved
0	ENCLK	Clock Output to XTAL2 Pin (P3.0) Enable If the clock is from internal RC, the frequency of P3.0 is internal RC/4 (22.1184MHz/4).
1	P3M2.1	Refer to <u>Table 9-1 Setting Table for I/O Port Structure</u>
0	P3M2.0	



10 Timers/Counters

The N79E845/844/8432 has three 16-bit programmable timers/counters.

10.1 Timers/Counters 0 and 1

Timer/Counter 0 and 1 in the N79E845/844/8432 is two 16-bit Timers/Counters. Each of them has two 8-bit registers that form the 16 bit counting register. For Timer/Counter 0 they are TH0, the upper 8-bit register, and TL0, the lower 8-bit register. Similar Timer/Counter 1 has two 8-bit registers, TH1 and TL1. TCON and TMOD can configure modes of Timer/Counter 0 and 1.

They have additional timer 0 or timer 1 overflow toggle output enable feature as compare to conventional timers/counters. This timer overflow toggle output can be configured to automatically toggle T0 or T1 pin output whenever a timer overflow occurs.

When configured as a “Timer”, the timer counts clock cycles. The timer clock can be programmed to be thought of as 1/12 of the clock system or 1/4 of the clock system. In the “Counter” mode, the register is incremented on the falling edge of the external input pin, T0 in case of Timer 0, and T1 for Timer 1. The T0 and T1 inputs are sampled in every machine-cycle at C4. If the sampled value is high in one machine-cycle and low in the next, then a valid high to low transition on the pin is recognized and the count register is incremented. Since it takes two machine-cycles to recognize a negative transition on the pin, the maximum rate at which counting will take place is 1/24 of the master clock frequency. In either the “Timer” or “Counter” mode, the count register will be updated at C3. Therefore, in the “Timer” mode, the recognized negative transition on pin T0 and T1 can cause the count register value to be updated only in the machine-cycle following the one in which the negative edge was detected.

The “Timer” or “Counter” function is selected by the “ $\overline{C/T}$ ” bit in the TMOD Special Function Register. Each Timer/Counter has one selection bit for its own; bit 2 of TMOD selects the function for Timer/Counter 0 and bit 6 of TMOD selects the function for Timer/Counter 1. In addition each Timer/Counter can be set to operate in any one of four possible modes. The mode selection is done by bits M0 and M1 in the TMOD SFR.

The N79E845/844/8432 can operate like the standard 8051/52 family, counting at the rate of 1/12 of the clock speed, or in turbo mode, counting at the rate of 1/4 clock speed. The speed is controlled by the T0M and T1M bits in CKCON, and the default value is zero, which uses the standard 8051/52 speed.

CKCON – Clock Control

7	6	5	4	3	2	1	0
-	-	-	T1M	T0M	-	-	-
-	-	-	R/W	R/W	-	-	-



Address: 8EH

Reset value: 0000 0000B

Bit	Name	Description
7:5	-	Reserved
4	T1M	Timer 1 Clock Select: 0 = Timer 1 uses a divide by 12 clocks. 1 = Timer 1 uses a divide by 4 clocks.
3	T0M	Timer 0 Clock Select: 0 = Timer 0 uses a divide by 12 clocks. 1 = Timer 0 uses a divide by 4 clocks.
2:0	-	Reserved

TMOD – Timer 0 and 1 Mode

7	6	5	4	3	2	1	0
GATE	C/ \bar{T}	M1	M0	GATE	C/ \bar{T}	M1	M0
R/W	R/W	R/W	R/W	R/W	R/W	R/W	R/W

Address: 89H

Reset value: 0000 0000B

Bit	Name	Description															
7	GATE	Timer 1 Gate Control 0 = Timer 1 will clock when TR1 = 1 regardless of $\overline{INT1}$ logic level. 1 = Timer 1 will clock only when TR1 = 1 and $\overline{INT1}$ is logic 1.															
6	C/ \bar{T}	Timer 1 Counter/Timer Selection 0 = Timer 1 is incremented by internal peripheral clocks. 1 = Timer 1 is incremented by the falling edge of the external pin T1.															
5	M1	Timer 1 Mode Select. <table border="1"> <thead> <tr> <th>M1</th> <th>M0</th> <th>Timer 1 Mode</th> </tr> </thead> <tbody> <tr> <td>0</td> <td>0</td> <td>Mode 0: 8-bit Timer/Counter with 5-bit pre-scalar (TL1[4:0])</td> </tr> <tr> <td>0</td> <td>1</td> <td>Mode 1: 16-bit Timer/Counter</td> </tr> <tr> <td>1</td> <td>0</td> <td>Mode 2: 8-bit Timer/Counter with auto-reload from TH1</td> </tr> <tr> <td>1</td> <td>1</td> <td>Mode 3: Timer 1 halted</td> </tr> </tbody> </table>	M1	M0	Timer 1 Mode	0	0	Mode 0: 8-bit Timer/Counter with 5-bit pre-scalar (TL1[4:0])	0	1	Mode 1: 16-bit Timer/Counter	1	0	Mode 2: 8-bit Timer/Counter with auto-reload from TH1	1	1	Mode 3: Timer 1 halted
M1	M0		Timer 1 Mode														
0	0		Mode 0: 8-bit Timer/Counter with 5-bit pre-scalar (TL1[4:0])														
0	1		Mode 1: 16-bit Timer/Counter														
1	0	Mode 2: 8-bit Timer/Counter with auto-reload from TH1															
1	1	Mode 3: Timer 1 halted															
4	M0																
3	GATE	Timer 0 Gate Control 0 = Timer 0 will clock when TR0 = 1 regardless of $\overline{INT0}$ logic level. 1 = Timer 0 will clock only when TR0 = 0 and $\overline{INT0}$ is logic 1.															
2	C/ \bar{T}	Timer 0 Counter/Timer Selection 0 = Timer 0 is incremented by internal peripheral clocks. 1 = Timer 0 is incremented by the falling edge of the external pin T0.															
1	M1	Timer 0 mode select															



Bit	Name	Description		
0	M0	M1	M0	Timer 0 Mode
		0	0	Mode 0: 8-bit Timer/Counter with 5-bit pre-scalar (TL0[4:0])
		0	1	Mode 1: 16-bit Timer/Counter
		1	0	Mode 2: 8-bit Timer/Counter with auto-reload from TH0
		1	1	Mode 3: TL0 as a 8-bit Timer/Counter and TH0 as a 8-bit Timer

TCON – Timer 0 and 1 Control (Bit-addressable)

7	6	5	4	3	2	1	0
TF1	TR1	TF0	TR0	IE1	IT1	IE0	IT0
R/W	R/W	R/W	R/W	R/W	R/W	R/W	R/W

Address: 88H

Reset value: 0000 0000B

Bit	Name	Description
7	TF1	Timer 1 Overflow Flag This bit is set when Timer 1 overflows. It is automatically cleared by hardware when the program executes the Timer 1 interrupt service routine. Software can also set or clear this bit.
6	TR1	Timer 1 Run Control 0 = Timer 1 is halted. Clearing this bit will halt Timer 1 and the current count will be preserved in TH1 and TL1. 1 = Timer 1 is enabled.
5	TF0	Timer 0 Overflow Flag This bit is set when Timer 0 overflows. It is automatically cleared via hardware when the program executes the Timer 0 interrupt service routine. Software can also set or clear this bit.
4	TR0	Timer 0 Run Control 0 = Timer 0 is halted. Clearing this bit will halt Timer 0 and the current count will be preserved in TH0 and TL0. 1 = Timer 0 is enabled.

**TL0 – Timer 0 Low Byte**

7	6	5	4	3	2	1	0
TL0[7:0]							
R/W							

Address: 8AH

Reset value: 0000 0000B

Bit	Name	Description
7:0	TL0[7:0]	Timer 0 Low Byte The TL0 register is the low byte of the 16-bit Timer 0.

TH0 – Timer 0 High Byte

7	6	5	4	3	2	1	0
TH0[7:0]							
R/W							

Address: 8CH

Reset value: 0000 0000B

Bit	Name	Description
7:0	TH0[7:0]	Timer 0 High Byte The TH0 register is the high byte of the 16-bit Timer 0.

TL1 – Timer 1 Low Byte

7	6	5	4	3	2	1	0
TL1[7:0]							
R/W							

Address: 8BH

Reset value: 0000 0000B

Bit	Name	Description
7:0	TL1[7:0]	Timer 1 Low Byte The TL1 register is the low byte of the 16-bit Timer 1.

TH1 – Timer 1 High Byte

7	6	5	4	3	2	1	0
TH1[7:0]							
R/W							

Address: 8DH

Reset value: 0000 0000B

Bit	Name	Description
7:0	TH1[7:0]	Timer 1 High Byte The TH1 register is the high byte of the 16-bit Timer 1.

P3M1 – Port3 Output Mode1

7	6	5	4	3	2	1	0
P3S	-	P1S	P0S	T1OE	T0OE	P3M1.1	P3M1.0
R/W	-	R/W	R/W	R/W	R/W	R/W	R/W

Address: 96H

Reset value: 0000 0000B

Bit	Name	Description
3	T1OE	P0.7 pin is toggled whenever Timer 1 overflows. The output frequency is therefore one half of the Timer 1 overflow rate.
2	T0OE	P1.2 pin is toggled whenever Timer 0 overflows. The output frequency is therefore one-half of the Timer 0 overflow rate.

10.1.1 Mode 0 (13-bit Timer)

In Mode 0, the timers/counters act as a 8-bit counter with a 5-bit, divide by 32 pre-scale. In this mode we have 13-bit timer/counter. The 13-bit counter consists of 8 bits of THx and 5 lower bits of TLx. The upper 3 bits of TLx are ignored.

The negative edge of the clock increments count in the TLx register. When the fifth bit in TLx moves from 1 to 0, then the count in the THx register is incremented. When the count in THx moves from FFh to 00h, then the overflow flag TFX in TCON SFR is set. The counted input is enabled only if TRx is set and either GATE = 0 or $\overline{INTx} = 1$. When $\overline{C/T}$ is set to 0, then it will count clock cycles, and if $\overline{C/T}$ is set to 1, then it will count 1 to 0 transitions on T0 (P1.2) for timer 0 and T1 (P0.7) for timer 1. When the 13-bit count reaches 1FFFh, the next count will cause it to rollover to 0000h. The timer overflow flag TFX of the relevant timer is set and if enabled an interrupts will occur.

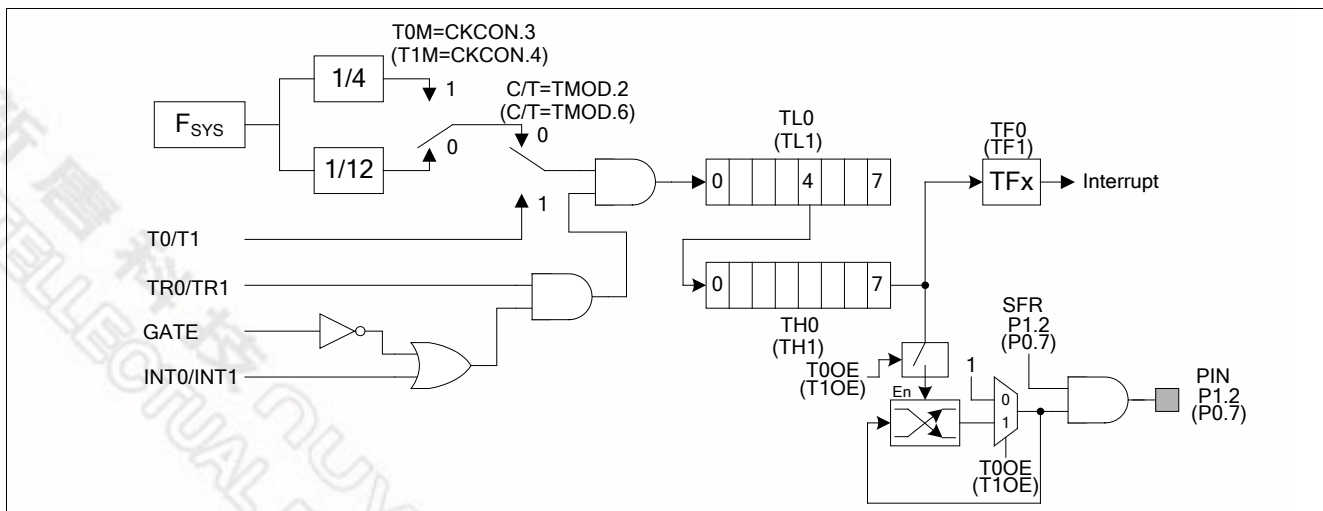


Figure 10-1 Timers/Counters 0 and 1 in Mode 0

10.1.2 Mode 1 (16-bit Timer)

Mode 1 is similar to Mode 0 except that the counting registers are fully used as 16-bit counter. Rollover occurs when a count moves FFFFH to 0000H. The Timer overflow flag TFX of the relevant Timer/Counter is set and an interrupt will occur if enabled.

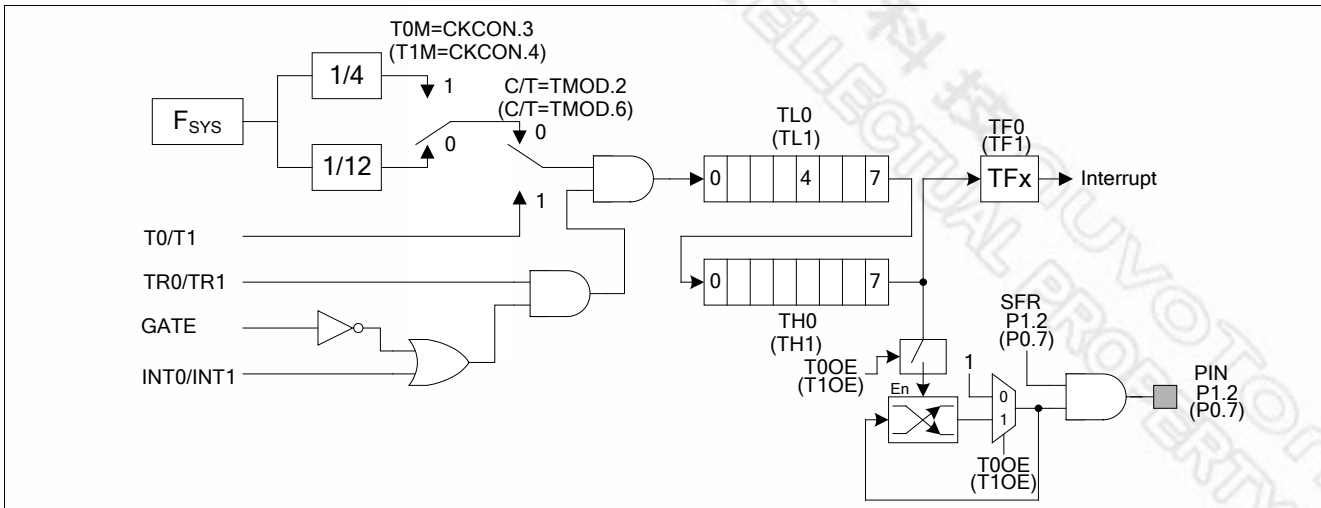


Figure 10-2 Timers/Counters 0 and 1 in Mode 1

10.1.3 Mode 2 (8-bit Auto-Reload Timer)

In Mode 2, the Timer/Counter is in auto-reload mode. In this mode, TLx acts as an 8-bit count register whereas THx holds the reload value. When the TLx register overflows from FFH to 00H, the TFX bit in TCON is set and TLx is reloaded with the contents of THx and the counting process continues from here. The reload operation leaves the contents of the THx register unchanged. This feature is best suitable for UART baud rate generator for it runs without continuous software intervention. Note that only Timer1 can be the baud rate source for UART. Counting is enabled by the TRx bit and proper setting of GATE and $\overline{\text{INTX}}$ pins. The functions of GATE and $\overline{\text{INTX}}$ pins are just the same as Mode 0 and 1.

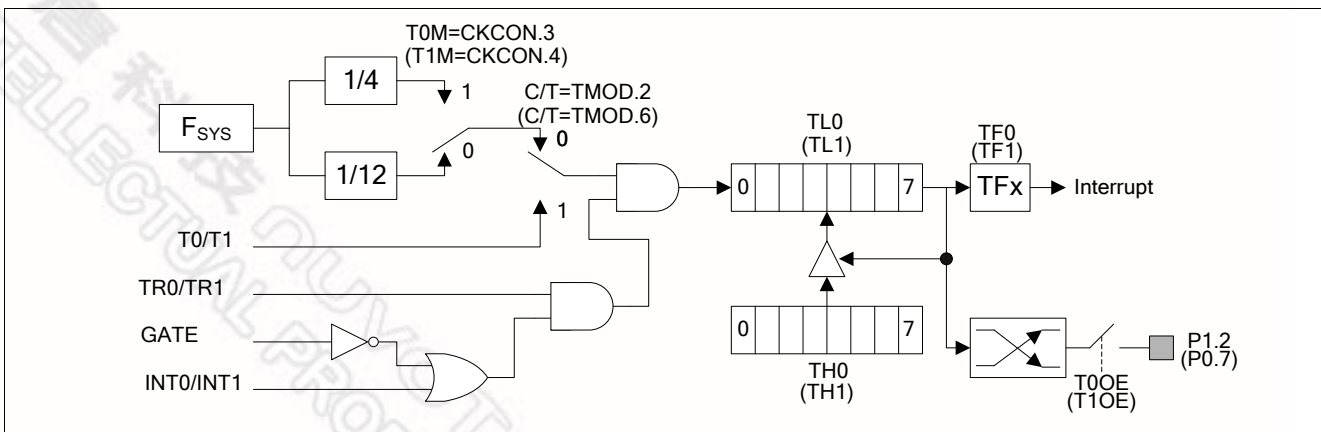


Figure 10-3 Timer/Counter 0 and 1 in Mode 2

10.1.4 Mode 3 (Two Separate 8-bit Timers)

Mode 3 has different operating methods for the two timers/counters. For timer/counter 1, mode 3 simply freezes the counter. Timer/Counter 0, however, configures TL0 and TH0 as two separate 8 bit count registers in this mode. The logic for this mode is shown in the following figure. TL0 uses the Timer/Counter 0 control bits $\overline{C/T}$, GATE, TR0, $\overline{INT0}$ and TF0. The TL0 can be used to count clock cycles (clock/12 or clock/4) or 1-to-0 transitions on pin T0 as determined by C/T (TMOD.2). TH0 is forced as a clock cycle counter (clock/12 or clock/4) and takes over the use of TR1 and TF1 from Timer/Counter 1. Mode 3 is used in cases where an extra 8 bit timer is needed. With Timer 0 in Mode 3, Timer 1 can still be used in Modes 0, 1 and 2, but its flexibility is somewhat limited. While its basic functionality is maintained, it no longer has control over its overflow flag TF1 and the enable bit TR1. Timer 1 can still be used as a timer/counter and retains the use of GATE and INT1 pin. In this condition it can be turned on and off by switching it out of and into its own Mode 3. It can be also used as a baud rate generator for the serial port.

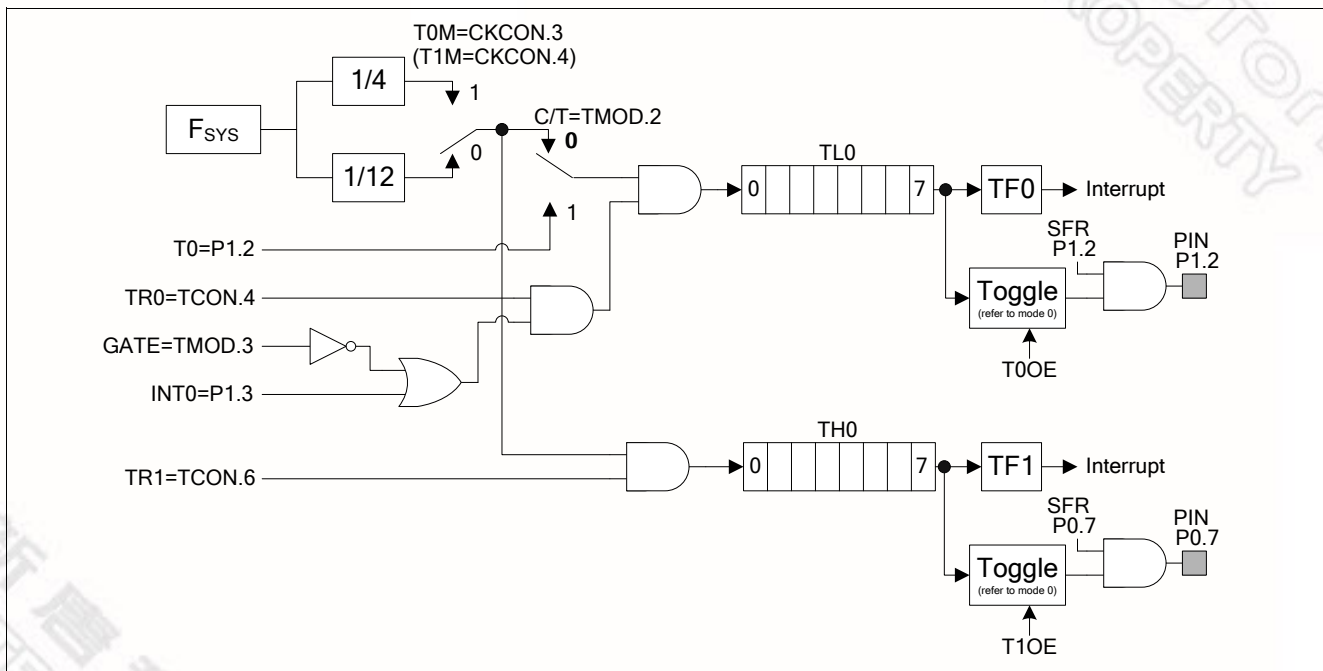


Figure 10-4 Timer/Counter 0 in Mode 3

10.2 Timer/Counter 2

Timer 2 is 16-bit up counter cascaded with TH2, the upper 8 bits register, and TL2, the lower 8-bit register. Equipped with RCOMP2H and RCOMP2L, Timer 2 can operate under compare mode and auto-reload mode. The additional 3-channel input capture module makes Timer 2 detect and measure the width or period of input pulses. The results of 3 input captures are stores in C0H and C0L, C1H and C1L, C2H and C2L individually. The clock source of Timer 2 is from the clock system pre-scaled by a clock divider with 8 different scales for wide field application. The clock is enabled when TR2 (T2CON.2) is 1, and disabled when TR2 is 0. The following registers are related to Timer 2 function.

T2CON – Timer 2 Control (Bit-addressable)

7	6	5	4	3	2	1	0
TF2	-	-	-	-	TR2	-	CP/RL2
R/W	-	-	-	-	R/W	-	R/W

Address: C8H

Reset value: 0000 0000B

Bit	Name	Description
7	TF2	Timer 2 Overflow Flag This bit is set when Timer 2 overflows or a compare match occurs. If the Timer 2 interrupt and the global interrupt are enable, setting this bit will make CPU execute Timer 2 interrupt service routine. This bit is not automatically cleared via hardware and should be cleared via software.
6:3	-	Reserved
2	TR2	Timer 2 Run Control 0 = Timer 2 is halted. Clearing this bit will halt Timer 2 and the current count will be preserved in TH2 and TL2. 1 = Timer 2 is enabled.
1	-	Reserved
0	CP/RL2	Timer 2 Capture or Reload Selection This bit selects whether Timer 2 functions in compare or auto-reload mode. 0 = Auto-reload on Timer 2 overflow or any input capture event. 1 = Compare mode of Timer 2.

T2MOD – Timer 2 Mode

7	6	5	4	3	2	1	0
LDEN	T2DIV[2:0]			CAPCR	COMPCR	LDTs[1:0]	
R/W	R/W	R/W	R/W	R/W	R/W	R/W	R/W

Address: C9H

Reset value: 0000 0000B

Bit	Name	Description
7	LDEN	Auto-reload Enable. 0 = Disable reloading RCOMP2H and RCOMP2L to TH2 and TL2 on Timer 2 overflow or any input capture event. 1 = Enable reloading RCOMP2H and RCOMP2L to TH2 and TL2 on Timer 2 overflow or any input capture event.



Bit	Name	Description
6:4	T2DIV[2:0]	Timer 2 Clock Divider 000 = Timer 2 clock divider is 1/4. 001 = Timer 2 clock divider is 1/8. 010 = Timer 2 clock divider is 1/16. 011 = Timer 2 clock divider is 1/32. 100 = Timer 2 clock divider is 1/64. 101 = Timer 2 clock divider is 1/128. 110 = Timer 2 clock divider is 1/256. 111 = Timer 2 clock divider is 1/512.
3	CAPCR	Capture Auto-clear This bit enables auto-clear Timer 2 value in TH2 and TL2 when a determined input capture event occurs. 0 = Timer 2 continues counting when a capture event occurs. 1 = Timer 2 value is auto-cleared as 0000H when a capture event occurs.
2	COMPCR	Compare Match Auto-clear. This bit enables auto-clear Timer 2 value in TH2 and TL2 when a compare match occurs. 0 = Timer 2 continues counting when a compare match occurs. 1 = Timer 2 value is auto-cleared as 0000H when a compare match occurs.
1:0	LDTs[1:0]	Auto-reload Trigger Selection These bits select the reload trigger event. 00 = Reload when Timer 2 overflows. 01 = Reload when input capture 0 event occurs. 10 = Reload when input capture 1 event occurs. 11 = Reload when input capture 2 event occurs.

RCOMP2L – Timer 2 Reload/Compare Low Byte

7	6	5	4	3	2	1	0
RCOMP2L[7:0]							
R/W							

Address: CAH

Reset value: 0000 0000B

Bit	Name	Description
7:0	RCOMP2L[7:0]	Timer 2 Reload/Compare Low Byte This register stores the low byte of compare value when Timer 2 is configured in compare mode. It holds the low byte of the reload value when auto-reload mode.

RCOMP2H – Timer 2 Reload/Compare High Byte

7	6	5	4	3	2	1	0
RCOMP2H[7:0]							
R/W							

Address: CBH

Reset value: 0000 0000B

Bit	Name	Description
7:0	RCOMP2H[7:0]	Timer 2 Reload/Compare High Byte This register stores the high byte of compare value when Timer 2 is configured in compare mode. And it holds the high byte of the reload value when auto-reload mode.

**TL2 – Timer 2 Low Byte**

7	6	5	4	3	2	1	0
TL2[7:0]							
R/W							

Address: CCH

Reset value: 0000 0000B

Bit	Name	Description
7:0	TL2[7:0]	Timer 2 Low Byte The TL2 register is the low byte of the 16-bit Timer 2.

TH2 – Timer 2 High Byte

7	6	5	4	3	2	1	0
TH2[7:0]							
R/W							

Address: CDH

Reset value: 0000 0000B

Bit	Name	Description
7:0	TH2[7:0]	Timer 2 high byte The TH2 register is the high byte of the 16-bit Timer 2.

Timer/Counter 2 provides three operating mode which can be selected by control bits in T2CON and T2MOD as shown in the table below. Note that the TH2 and TL2 are accessed separately. It is strongly recommended that user stop Timer 2 temporarily for a reading from or writing to TH2 and TL2. The free-running reading or writing may cause unpredictable situation.

Table 10–1 Timer 2 Operating Modes

Timer 2 Mode	CP/RL2 (T2CON.0)	LDEN (T2MOD.7)
Input capture	0	0
Auto-reload	0	1
Compare	1	X

10.2.1 Input Capture Mode

The input capture module with Timer 2 implements the input capture mode. Timer 2 should be configured by clearing CP/RL2 and LDEN bit to enter into input capture mode. The input capture module is configured through CAPCON0~2 registers. The input capture module supports 3-channel inputs (IC0 and IC1 pins) that share I/O pin P1.2 and P0.7. Each input channel consists its own Schmitt trigger input. The noise filter for each channel is enabled via setting ENF0~1 (CAPCON2[5:4]). It filters input glitches smaller than 4 CPU clocks. Input capture 0~1 have independent edge detector but share with unique Timer 2. The trigger edge is also configured individually by setting CAPCON1. It supports positive edge capture, negative edge capture, or both edge captures. Each input capture channel has its own enabling bit CAPEN0~1 (CAPCON0[5:4]).

While any input capture channel is enabled and the selected edge trigger occurs, the content of the free running Timer 2 counter, TH2 and TL2, will be captured, transferred, and stores into the capture registers CnH and CnL. The edge triggering also causes CAPFn (CAPCON0.n) is set by hardware. The interrupt will be also generated if ECPTF (EIE.2) and EA bit are both set. For three input capture flags shares the same interrupt vector, the user should check CAPFn to confirm which channel comes the input capture edge, which flags should be cleared by software.

The bit CAPCR (T2MOD.3) benefits the implement of period calculation. Setting CAPCR makes the hardware clear Timer 2 as 0000H automatically after the value of TH2 and TL2 have been captured after an input capture edge event occurs. It eliminates the routine software overhead of writing 16-bit counter or an arithmetic subtraction.

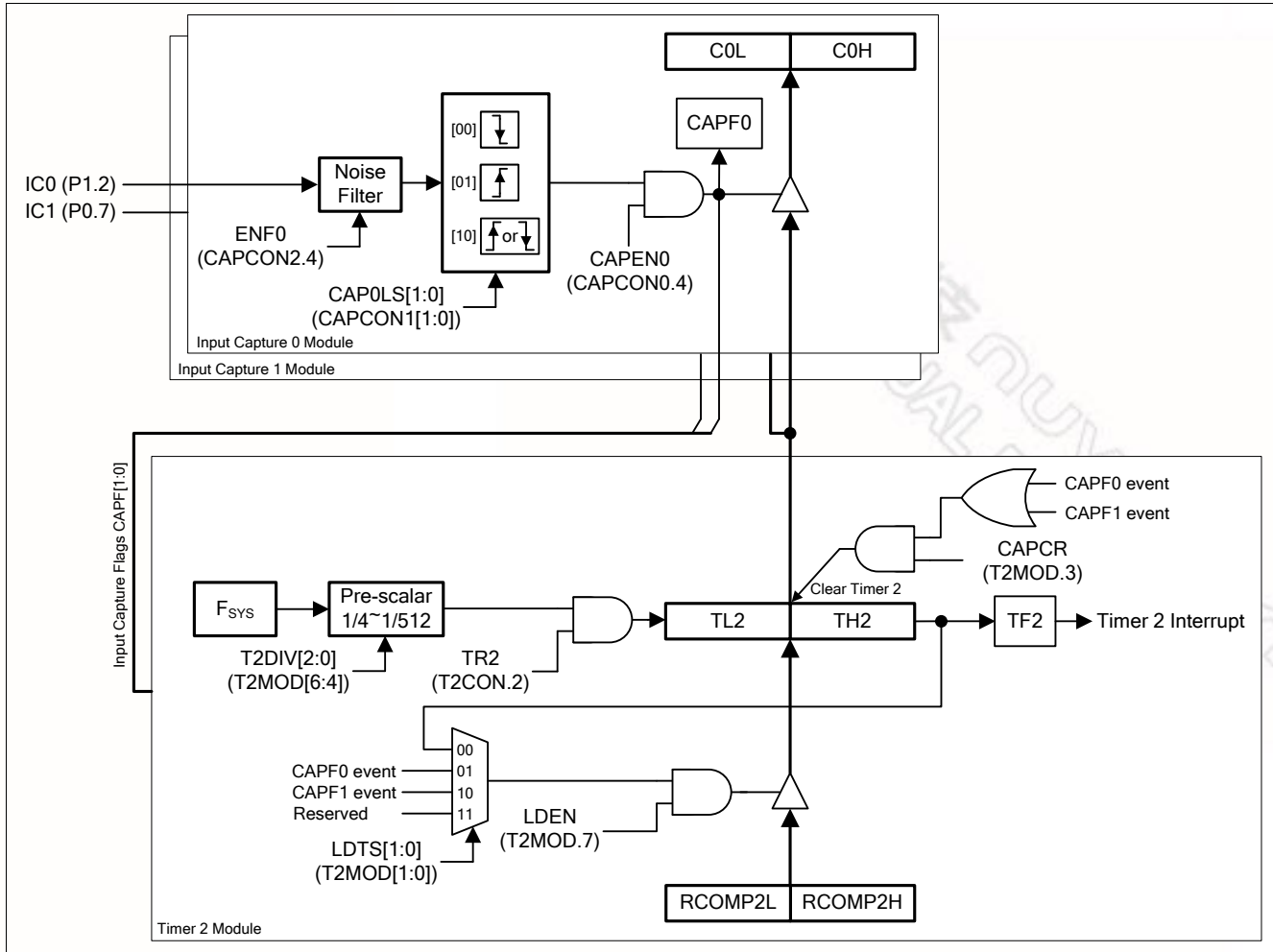


Figure 10-5 Timer 2 Input Capture and Auto-reload Mode Function Block

CAPCON0 – Input Capture Control 0

7	6	5	4	3	2	1	0
-	-	CAPEN1	CAPEN0	-	-	CAPF1	CAPF0
-	-	R/W	R/W	-	-	R/W	R/W

Address: 92H

Reset value: 0000 0000B

Bit	Name	Description
7:6	-	Reserved
5	CAPEN1	Input Capture 1 Enable 0 = Disable input capture channel 1. 1 = Enable input capture channel 1.
4	CAPEN0	Input Capture 0 Enable 0 = Disable input capture channel 0. 1 = Enable input capture channel 0.
3:2	-	Reserved
1	CAPF1	Input Capture 1 Flag This bit is set by hardware if the determined edge of input capture 1 occurs. This bit



Bit	Name	Description
		should cleared by software.
0	CAPF0	Input Capture 0 Flag. This bit is set by hardware if the determined edge of input capture 0 occurs. This bit should cleared by software.

CAPCON1 – Input Capture Control 1

7	6	5	4	3	2	1	0
-	-	-	-	CAPILS[1:0]		CAPOLS[1:0]	
-	-	-	-	R/W	R/W	R/W	R/W

Address: 93H

Reset value: 0000 0000B

Bit	Name	Description
7:4	-	Reserved
3:2	CAPILS[1:0]	Input capture 1 Level Selection 00 = Falling edge. 01 = Rising edge. 10 = Either Rising or falling edge. 11 = Reserved
1:0	CAPOLS[1:0]	Input Capture 0 Level Selection 00 = Falling edge. 01 = Rising edge. 10 = Either rising or falling edge. 11 = Reserved

CAPCON2 – Input Capture Control 2

7	6	5	4	3	2	1	0
-	-	ENF1	ENF0	-	-	-	-
-	-	R/W	R/W	-	-	-	-

Address: 94H

Reset value: 0000 0000B

Bit	Name	Description
7:6	-	Reserved
5	ENF1	Noise Filer on Input Capture 1 Enable 0 = Disable noise filter on input capture channel 1. 1 = Enable noise filter on input capture channel 1.
4	ENF0	Noise Filer on Input Capture 0 Enable 0 = Disable noise filter on input capture channel 0. 1 = Enable noise filter on input capture channel 0.
3:0	-	Reserved

**C0L – Capture 0 Low Byte**

7	6	5	4	3	2	1	0
C0L[7:0]							
R/W							

Address: E4H

Reset value: 0000 0000B

Bit	Name	Description
7:0	C0L[7:0]	Input Capture 0 Result Low Byte The C0L register is the low byte of the 16-bit result captured by input capture 0.

C0H – Capture 0 High Byte

7	6	5	4	3	2	1	0
C0H[7:0]							
R/W							

Address: E5H

Reset value: 0000 0000B

Bit	Name	Description
7:0	C0H[7:0]	Input Capture 0 Result High Byte The C0H register is the high byte of the 16-bit result captured by input capture 0.

C1L – Capture 1 Low Byte

7	6	5	4	3	2	1	0
C1L[7:0]							
R/W							

Address: E6H

Reset value: 0000 0000B

Bit	Name	Description
7:0	C1L[7:0]	Input Capture 1 Result Low Byte The C1L register is the low byte of the 16-bit result captured by input capture 1.

C1H – Capture 1 High Byte

7	6	5	4	3	2	1	0
C1H[7:0]							
R/W							

Address: E7H

Reset value: 0000 0000B

Bit	Name	Description
7:0	C1H[7:0]	Input Capture 1 Result High Byte The C1H register is the high byte of the 16-bit result captured by input capture 1.

**C2L – Capture 2 Low Byte**

7	6	5	4	3	2	1	0
C2L[7:0]							
R/W							

Address: EDH

Reset value: 0000 0000B

Bit	Name	Description
7:0	C2L[7:0]	Input Capture 2 Result Low Byte The C2L register is the low byte of the 16-bit result captured by input capture 2.

C2H – Capture 2 High Byte

7	6	5	4	3	2	1	0
C2H[7:0]							
R/W							

Address: EEH

Reset value: 0000 0000B

Bit	Name	Description
7:0	C2H[7:0]	Input Capture 2 Result High Byte The C2H register is the high byte of the 16-bit result captured by input capture 2.

10.2.2 Auto-reload Mode

Timer 2 can be configured as auto-reload mode by clearing $\overline{CP/RL2}$ and setting LDEN bit. In this mode RCOMP2H and RCOMP2L registers stores the reload value. The contents in RCOMP2H and RCOMP2L transfer into TH2 and TL2 once the auto-reload event occurs. The event can be the Timer 2 overflow or one of the triggering event on any of enabled input capture channel depending on the LDTS[1:0] (T2MOD[1:0]) selection.

Note that once CAPCR (T2MOD.3) is set, an input capture event only clears TH2 and TL2 without reloading RCOMP2H and RCOMP2L contents.

10.2.3 Compare Mode

Timer 2 can be also configured simply as the compare mode by setting $\overline{CP/RL2}$. In this mode RCOMP2H and RCOMP2L registers serve as the compare value registers. As Timer 2 up counting, TH2 and TL2 match RCOMP2H and RCOMP2L, TF3 (T2CON.7) will be set by hardware to indicate a compare match event.

Setting COMPCR (T2MOD.2) makes the hardware to clear Timer 2 counter as 0000H automatically after a compare match has occurred.

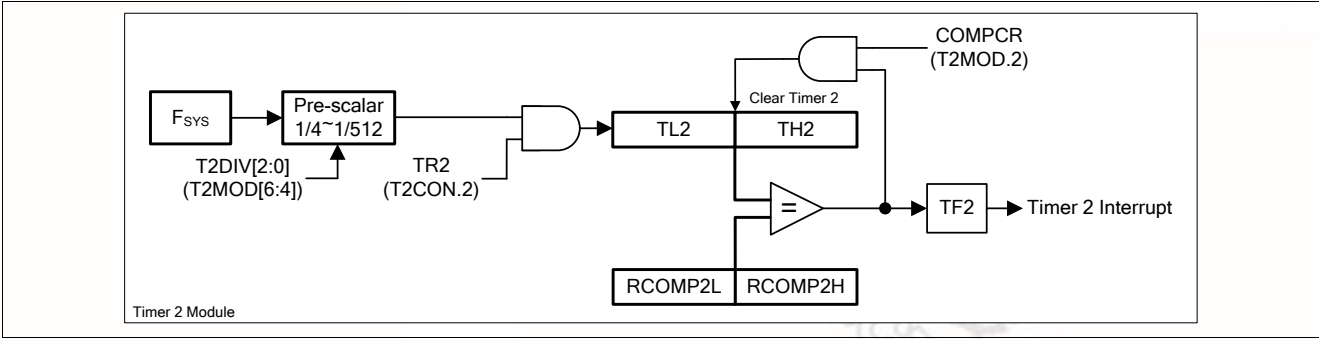


Figure 10-6 Timer 2 Compare Mode Function Block

11 Watchdog Timer (WDT)

The N79E845/844/8432 provides one Watchdog Counter to serve as a system monitor, which improve the reliability of the system. Watchdog Timer is useful for systems that are susceptible to noise, power glitches, or electrostatic discharge. The periodic interrupt of Watchdog Timer can also serve as an event timer or a durational system supervisor in a monitoring system which generally operates in Idle or Power-Down mode. The Watchdog Timer is basic a setting of divider that divides an internal low speed clock source. The divider output is selectable and determines the time-out interval. When the time-out interval is fulfilled, it will wake the system up from Idle or Power-Down mode and an interrupt event will occur. If Watchdog Timer reset is enabled, a system reset will occur after a period of delay if without any software response.

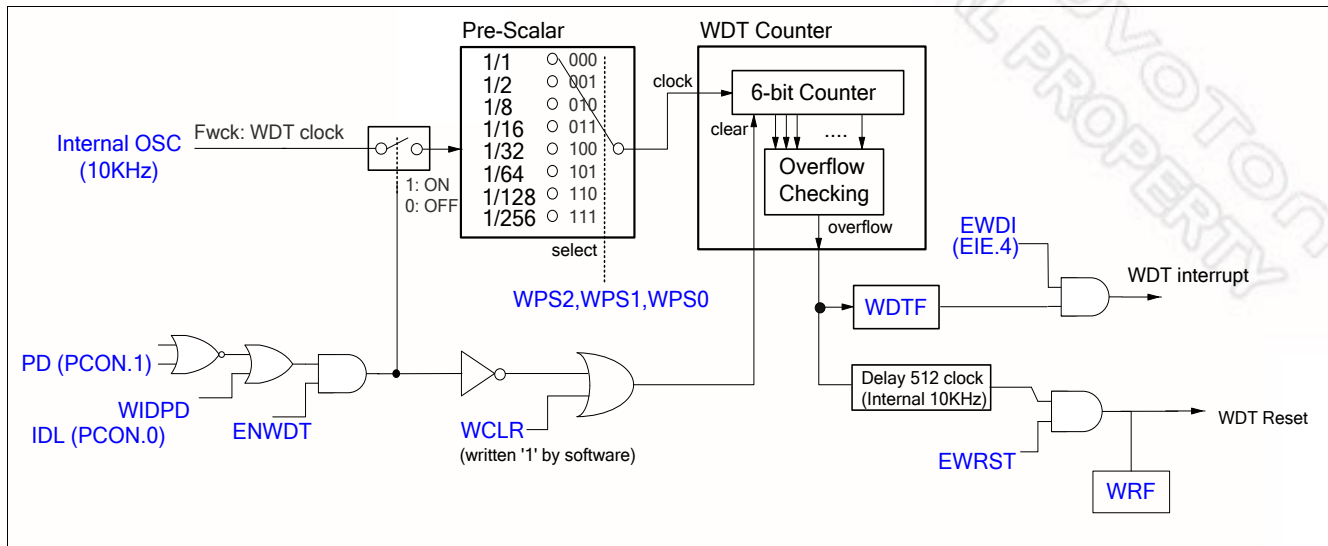


Figure 11-1 Watchdog Timer

11.1 Functional Description

The Watchdog Timer should first be reset 00H by using WDCLR(WDCON0.6) to ensure that the timer starts from a known state. After disable Watchdog Timer through clearing WDTEN (WDCON0.7) will also clear this counter. The WDCLR bit is used to reset the Watchdog Timer. This bit is self-cleared thus the user doesn't need to clear it. After writing 1 to WDCLR, the hardware will automatically clear it. After WDTEN set as 1, the Watchdog Timer starts counting. The time-out interval is selected by the three bits WPS2, WPS1, and WPS0 (WDCON0[2:0]). When the selected time-out occurs, the Watchdog Timer will set the interrupt flag WDTF (WDCON0.5). The Watchdog Timer interrupt enable bit locates at EIE.4 register. If Watchdog Timer reset is enabled by writing logic 1 to EWRST (WDCON1.0) bit. An additional 512 clocks of the low speed internal RC delays to expect a counter clearing by setting WDCLR. If there is no WDCLR setting during this 512-clock period, a reset will happen. Once a reset due to Watchdog Timer occurs, the Watchdog Timer reset flag WDTRF (WDCON0.3) will be set. This bit keeps unchanged after any reset other than a power-on reset. The user may clear WDTRF via software. In general, software should restart the counter to put it into a known



state by setting WDCLR. The Watchdog Timer also provides a WIDPD bit (WDCON0.4) to allow the Watchdog Timer continuing running after the system enters into Idle or Power Down operating mode.

The hardware automatically clears WDT counter after entering into or being woken-up from Idle or Power-down mode. It prevents unconscious system reset.

WDCON0 – Watchdog Timer Control (TA Protected)

7	6	5	4	3	2	1	0
WDTEN	WDCLR	WDTF	WIDPD	WDTRF	WPS2	WPS1	WPS0
R/W	w	R/W	R/W	R/W	R/W	R/W	R/W

Address: D8H Reset value: see [Table 7-2 N79E845/844/8432 SFR Description and Reset Values](#)

Bit	Name	Description
7	WDTEN	<p>WDT Enable</p> <p>WDTEN is initialized by inverted CWDTEN (CONFIG3, bit-7) at any other resets.</p> <p>0 = Disable WDT at power-on reset.</p> <p>1 = Enable WDT at power-on reset.</p>
6	WDCLR	<p>WDT Counter Clear</p> <p>Writing “1” to clear the WDT counter to 0000H. Note that this bit is written-only and has no need to be cleared by being written “0”.</p>
5	WDTF	<p>WDT Interrupt Flag</p> <p>This bit will be set by hardware when WDT counter overflows.</p>
4	WIDPD	<p>WDT Running in Idle and Power-down Mode</p> <p>This bit decides whether Watchdog Timer runs in Idle or Power-Down mode.</p> <p>0 = WDT counter is halted while CPU is in Idle or Power-Down mode.</p> <p>1 = WDT keeps running while CPU is in Idle or Power-Down mode.</p>

Bit	Name	Description
3	WDTRF	<p>WDT Reset Flag</p> <p>When the MCU resets itself, this bit is set by hardware. The bit should be cleared by software.</p> <p>If EWRST = 0, the interrupt flag WDTF won't be set by hardware, and the MCU will reset itself right away.</p> <p>If EWRST = 1, the interrupt flag WDTF will be set by hardware and the MCU will jump into WDT's interrupt service routine if WDT interrupt is enabled, and the MCU won't reset itself until 512 CPU clocks elapse. In other words, in this condition, the user also needs to clear the WDT counter (by writing '1' to WDCLR bit) during this period of 512 CPU clocks, or the MCU will also reset itself when 512 CPU clocks elapse.</p>
2:0	WPS[2:0]	<p>WDT Pre-scalar Selection</p> <p>Use these bits to select WDT time-out period.</p> <p>The WDT time-out period is determined by the formula = $\frac{64}{(F_{wck} \times PreScalar)}$, where</p> <p>Fwck is the frequency of the WDT clock source. The following table shows an example of WDT timeout period for different Fwck.</p>

[1] WDTEN is initialized by reloading the inversed value of CWDTEN (CONFIG3.7) after all resets.

[2] WIDPD and WPS[2:0] are cleared after power-on reset and keep unchanged after any other resets.

[3] WDTRF will be cleared after power-on reset, be set after Watchdog Timer reset, and remains unchanged after any other resets.

WDCON1 – Watchdog Timer Control (TA Protected)

7	6	5	4	3	2	1	0
-	-	-	-	-	-	-	EWRST
-	-	-	-	-	-	-	R/W

Address: ABH

Reset value: 0000 0000B

Bit	Name	Description
0	EWRST	<p>0 = Disable WDT Reset function.</p> <p>1 = Enable WDT Reset function.</p>

[1] EWRST is cleared after power-on reset and keeps unchanged after any other resets.

The Watchdog time-out interval is determined by the formula = $\frac{64}{(F_{wck} \times PreScalar)}$. where F_{wck} is the frequency of internal 10 kHz RC. The following table shows an example of the Watchdog time-out interval under different F_{WCK} and pre-scalars.

**EIE – Extensive Interrupt Enable**

7	6	5	4	3	2	1	0
ET2	ESPI	EPWM	EWDI	-	ECPTF	EKB	EI2C
R/W	R/W	R/W	R/W	-	R/W	R/W	R/W

Address: E8H

Reset value: 0000 0000B

Bit	Name	Description
4	EWDI	0 = Disable Watchdog Timer Interrupt. 1 = Enable Watchdog Timer Interrupt.

The Watchdog Timer time-out selection will result in different time-out values depending on the clock speed. The reset, when enabled, will occur when 512 clocks after time-out has occurred.

Table 11-1 Time-out Values for the Watchdog Timer

(WPS2,WPS1,WPS0)	Pre-Scalar	WDT Interrupt time-out		Reset time-out	
		Number of Clocks	Time	Number of Clocks	Time
(0,0,0)	1/1	2^6	6.4ms	2^6+512	57.6ms
(0,0,1)	1/2	2×2^6	12.8ms	$2 \times 2^6+512$	64ms
(0,1,0)	1/8	8×2^6	51.2ms	$8 \times 2^6+512$	102.4ms
(0,1,1)	1/16	16×2^6	102.40ms	$16 \times 2^6+512$	153.6ms
(1,0,0)	1/32	32×2^6	204.80ms	$32 \times 2^6+512$	256ms
(1,0,1)	1/64	64×2^6	409.60ms	$64 \times 2^6+512$	460.8ms
(1,1,0)	1/128	128×2^6	819.20ms	$128 \times 2^6+512$	870.4ms
(1,1,1)	1/256	256×2^6	1.638s	$256 \times 2^6+512$	1.6892s

11.2 Applications of Watchdog Timer Reset

The main application of the Watchdog Timer with time-out reset enabling is for the system monitor. This is important in real-time control applications. In case of some power glitches or electro-magnetic interference, the processor may begin to execute erroneous codes and operate in an unpredictable state. If this is left unchecked the entire system may crash. Using the Watchdog Timer during software development will require the user to select ideal Watchdog reset locations for inserting instructions to reset the Watchdog Timer. By inserting the instruction setting WDCLR, it will allow the code to run without any Watchdog Timer reset. However If any erroneous code executes by any power of other interference, the in-



structions to clear the Watchdog Timer counter will not be executed at the required instants. Thus the Watchdog Timer reset will occur to reset the system start from an erroneously executing condition. The user should remember that WDCON0 requires a timed access writing.

11.3 Applications of Watchdog Timer Interrupt

There is another application of the Watchdog Timer, which is used as a simple timer. The WDTF flag will be set while the Watchdog Timer completes the selected time interval. The software polls the WDTF flag to detect a time-out and the WDCLR allows software to restart the timer. The Watchdog Timer can be also used as a very long timer. Every time the time-out occurs, an interrupt will occur if the individual interrupt EWDI (EIE.4) and global interrupt enable EA is set.

In some application of low power consumption, the CPU usually stays in Idle mode when nothing needs to be served to save power consumption. After a while the CPU will be woken up to check if anything needs to be served at an interval of programmed period implemented by Timer 0, 1 or 2. However, the current consumption of Idle mode still keeps at a “mA” level. To further reducing the current consumption to “ μ A” level, the CPU should stay in Power-Down mode when nothing needs to be served, and has the ability of waking up at a programmable interval. The N79E845/844/8432 is equipped with this useful function. It provides a very low power internal RC 10 kHz. Along with the low power consumption application, the Watchdog Timer needs to count under Idle and Power-Down mode and wake CPU up from Idle or Power-Down mode. The demo code to accomplish this feature is shown below.

The demo code of Watchdog Timer waking CPU up from Power Down.

```

ORG      0000H
LJMP     START

ORG      0053H
LJMP     WDT_ISR

ORG      0100H
WDT_ISR:
CLR      EA
MOV      TA, #0AAH
MOV      TA, #55H
ORL      WDCON0, #01000000B      ;clear Watchdog Timer counter
INC      ACC
MOV      P0, ACC
SETB     EA

CLR      EA
MOV      TA, #0AAH
MOV      TA, #55H
ANL      WDCON0, #11011111B      ;clear Watchdog Timer interrupt flag
SETB     EA
RETI

START:
MOV      TA, #0AAH
MOV      TA, #55H
ORL      WDCON0, #01000000B      ;clear Watchdog Timer counter

```



```

MOV     TA, #0AAH
MOV     TA, #55H
ORL     WDCON0, #10000000B      ;enable Watchdog Timer to run

Check_clear:
MOV     A, WDCON0
JB      ACC.6, Check_clear

MOV     TA, #0AAH
MOV     TA, #55H
ORL     WDCON0, #00000111B      ;choose interval length
MOV     TA, #0AAH
MOV     TA, #55H
ANL     WDCON1, #11111110B      ;disable Watchdog Timer reset
SETB    EWDI                     ;enable Watchdog Timer interrupt
MOV     TA, #0AAH
MOV     TA, #55H
SETB    WIDPD

SETB    EA

;*****
;Enter into Power-Down mode
;*****
LOOP:
ORL     PCON, #02H
LJMP    LOOP

END

```



12 Serial Port (UART)

The N79E845/844/8432 includes one enhanced full duplex serial port with automatic address recognition and framing error detection. The serial port supports three modes of full duplex UART (Universal Asynchronous Receiver and Transmitter) in Mode 1, 2, and 3. This means it can transmit and receive simultaneously. The serial port is also receiving-buffered, meaning it can commence reception of a second byte before a previously received byte has been read from the register. The receiving and transmitting registers are both accessed at SBUF. Writing to SBUF loads the transmitting register, and reading SBUF accesses a physically separate receiving register. There are four operation modes in serial port. In all four modes, transmission initiates by any instruction that uses SBUF as a destination register. Note that before serial port function works, the port latch bits of RXD and TXD pins have to be set to 1.

SCON – Serial Port Control (Bit-addressable)

7	6	5	4	3	2	1	0
SM0/FE	SM1	SM2	REN	TB8	RB8	TI	RI
R/W	R/W	R/W	R/W	R/W	R/W	R/W	R/W

Address: 98H

Reset value: 0000 0000B

Bit	Name	Description
7	SM0/FE	Serial Port Mode Selection
6	SM1	<p>SMOD0 (PCON.6) = 0: See Table 12-1 Serial Port Mode Description for details.</p> <p>SMOD0 (PCON.6) = 1: SM0/FE bit is used as frame error (FE) status flag. 0 = Frame error (FE) does not occur. 1 = Frame error (FE) occurs and is detected.</p>
5	SM2	<p>Multiprocessor Communication Mode Enable The function of this bit is dependent on the serial port mode.</p> <p>Mode 0: This bit select the baud rate between $F_{SYS}/12$ and $F_{SYS}/4$. 0 = The clock runs at $F_{SYS}/12$ baud rate. It maintains standard 8051 compatibility. 1 = The clock runs at $F_{SYS}/4$ baud rate for faster serial communication.</p> <p>Mode 1: This bit checks valid stop bit. 0 = Reception is always valid no matter the logic level of stop bit. 1 = Reception is valid only when the received stop bit is logic 1 and the received data matches GIVEN or BROADCAST address.</p> <p>Mode 2 or 3: For multiprocessor communication. 0 = Reception is always valid no matter the logic level of the 9th bit. 1 = Reception is valid only when the received 9th bit is logic 1 and the received data matches GIVEN or BROADCAST address.</p>



Bit	Name	Description
4	REN	Receiving Enable 0 = Serial port reception is disabled. 1 = Serial port reception is enabled in Mode 1,2, and 3. In Mode 0, clearing and then setting REN initiates one-byte reception. After reception is complete, this bit will not be cleared via hardware. The user should clear and set REN again via software to triggering the next byte reception.
3	TB8	9th Transmitted Bit This bit defines the state of the 9 th transmission bit in serial port Mode 2 and 3. It is not used in Mode0 and 1.
2	RB8	9th Received Bit The bit identifies the logic level of the 9 th received bit in Modes 2 and 3. In Mode 1, if SM2 0, RB8 is the logic level of the received stop bit. RB8 is not used in Mode 0.
1	TI	Transmission Interrupt Flag This flag is set via hardware when a byte of data has been transmitted by the UART after the 8 th bit in Mode 0 or the last bit of data in other modes. When the UART interrupt is enabled, setting this bit causes the CPU to execute the UART interrupt service routine. This bit should be cleared manually via software.
0	RI	Receiving Interrupt Flag This flag is set via hardware when a 8-bit or 9-bit data has been received by the UART after the 8 th bit in Mode 0, after sampling the stop bit in Mode 1, or after sampling the 9 th bit in Mode 2 and 3. SM2 bit has restriction for exception. When the UART interrupt is enabled, setting this bit causes the CPU to execute to the UART interrupt service routine. This bit should be cleared manually via software.

Table 12–1 Serial Port Mode Description

Mode	SM0	SM1	Description	Frame Bits	Baud Rate
0	0	0	Synchronous	8	F _{sys} divided by 12 or by 4 ^[1]
1	0	1	Asynchronous	10	Timer 1 overflow rate divided by 32 or divided by 16 ^[2]
2	1	0	Asynchronous	11	F _{sys} divided by 64 or 32 ^[2]
3	1	1	Asynchronous	11	Timer 1 overflow rate divided by 32 or divided by 16 ^[2]

[1] While SM2 (SCON.5) is logic 1.

[2] While SMOD (PCON.7) is logic 1.

PCON – Power Control

7	6	5	4	3	2	1	0
SMOD	SMOD0	-	POF	GF1	GF0	PD	IDL
R/W	R/W	-	R/W	R/W	R/W	R/W	R/W

Address: 87H

Reset value: see Table 7–2 N79E845/844/8432 SFR Description and Reset Values

Bit	Name	Description
7	SMOD	Serial Port Double Baud Rate Enable Setting this bit doubles the serial port baud rate in UART mode 2 and mode 1 or 3 only if Timer 1 overflow is used as the baud rate source. See Table 12–1 Serial Port Mode Description for details.

Bit	Name	Description
6	SMOD0	Framing Error Detection Enable 0 = Framing error detection is disabled. SM0/FE (SCON.7) bit is used as SM0 as standard 80C51 function. 1 = Framing error detection is enabled. SM0/FE bit is used as frame error (FE) status flag.

SBUF – Serial Data Buffer

7	6	5	4	3	2	1	0
SBUF[7:0]							
R/W							

Address: 99H

Reset value: 0000 0000B

Bit	Name	Description
7:0	SBUF[7:0]	Serial Data Buffer This byte actually consists two separate registers. One is the receiving register, and the other is the transmitting buffer. When data is moved to SBUF, it goes to the transmitting buffer and is shifted for serial transmission. When data is moved from SBUF, it comes from the receiving buffer. The transmission is initiated through moving a byte to SBUF.

12.1 Mode 0

Mode 0 provides synchronous communication with external devices. Serial data enters and exits through RXD pin. TXD outputs the shift clock. 8 bits are transmitted or received. Mode 0 therefore provides half-duplex communication because the transmitting or receiving data is via the same data line RXD. The baud rate is enhanced to be selected as $F_{SYS}/12$ if SM2 (SCON.5) is 0 or as $F_{SYS}/4$ if SM2 is 1. Note that whenever transmitting or receiving, the serial clock is always generated by the microcontroller. Thus any device on the serial port in Mode 0 should accept the microcontroller as the Master. [Figure 12-1](#) shows a simplified functional diagram of the serial port in Mode 0 and associated timing.

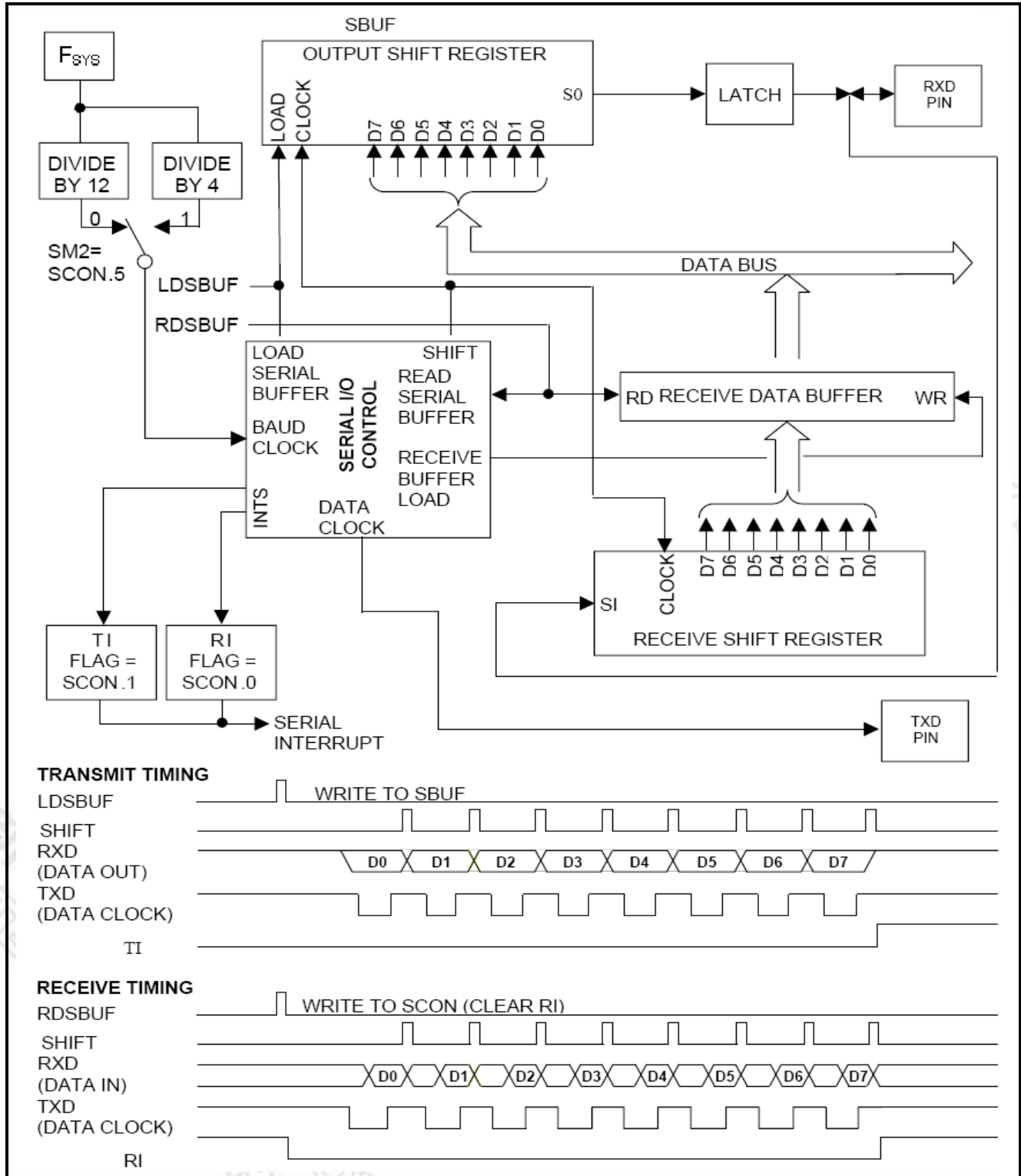


Figure 12-1 Serial Port Mode 0 Function Block

As shown there is one bidirectional data line (RXD) and one shift clock line (TXD). The shift clock is used to shift data in or out of the serial port controller bit by bit for a serial communication. Data bits enter or exit LSB first. The baud rate is equal to the shift clock frequency.

Transmission is initiated by any instruction writes to SBUF. The control block will then shift out the clock and begin to transfer data until all 8 bits are complete. Then the transmitted flag TI (SCON.1) will be set 1 to indicate one byte transmitting complete.

Reception is initiated by clearing and then setting REN (SCON.4) while RI (SCON..0) is 0. This condition tells the serial port controller that there is data to be shifted in. This process will continue until 8 bits have been received. Then the received flag RI will be set as 1. Note that REN will not be cleared via hardware. The user should first clear RI, clear REN and then set REN again via software to triggering the next byte reception.

12.2 Mode 1

Mode 1 supports asynchronous, full duplex serial communication. The asynchronous mode is commonly used for communication with PCs, modems or other similar interfaces. In Mode 1, 10 bits are transmitted (through TXD) or received (through RXD) including a start bit (logic 0), 8 data bits (LSB first) and a stop bit (logic 1). The baud rate is determined by the Timer 1. SMOD (PCON.7) setting 1 makes the baud rate double while Timer 1 is selected as the clock source. [Figure 12-2](#) shows a simplified functional diagram of the serial port in Mode 1 and associated timings for transmitting and receiving.

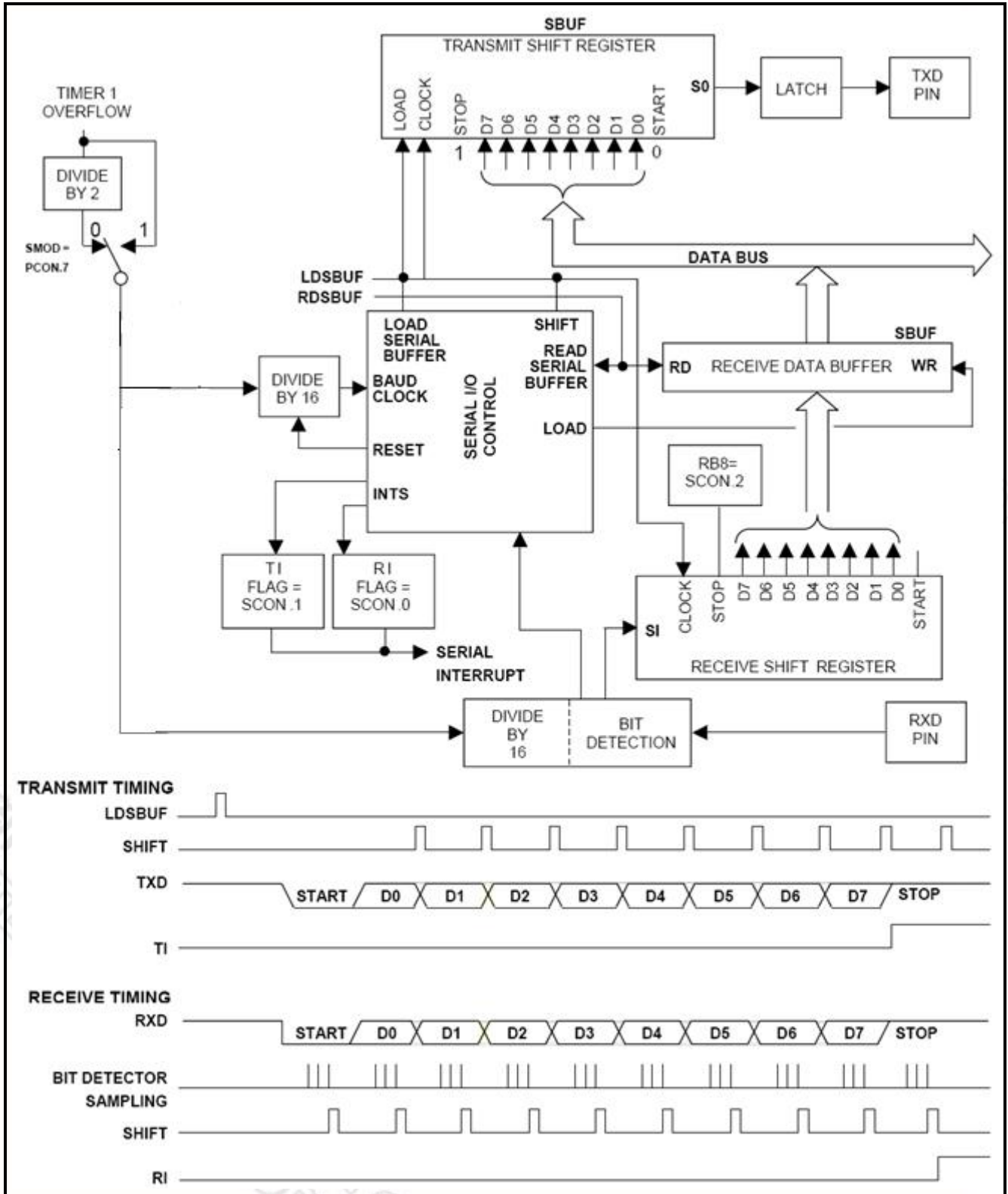


Figure 12-3 Serial Port Mode 1 Function Block and Timing Diagram

Transmission is initiated by any writing instructions to SBUF. Transmission takes place on TXD pin. First the start bit comes out, the 8-bit data follows to be shifted out and then ends with a stop bit. After the stop bit appears, TI (SCON.1) will be set to indicate one byte transmission complete. All bits are shifted out depending on the rate determined by the baud rate generator.

Once the baud rate generator is activated and REN (SCON.4) is 1, the reception can begin at any time. Reception is initiated by a detected 1-to-0 transition at RXD. Data will be sampled and shifted in at the selected baud rate. In the midst of the stop bit, certain conditions should be met to LOAD SBUF with the received data:

1. RI (SCON.0) = 0, and
2. Either SM2 (SCON.5) = 0, or the received stop bit = 1 while SM2 = 1.

If these conditions are met, the SBUF will be loaded with the received data, the RB8 (SCON.2) with stop bit, and RI will be set. If these conditions fail, there will be no data loaded and RI will remain 0. After above receiving progress, the serial control will look forward another 1-0 transition on RXD pin to start next data reception.

12.3 Mode 2

Mode 2 supports asynchronous, full duplex serial communication. Different from Mode1, there are 11 bits to be transmitted or received. They are a start bit (logic 0), 8 data bits (LSB first), a programmable 9th bit TB8 or RB8 bit and a stop bit (logic 1). The most common use of 9th bit is to put the parity bit in it. The baud rate is fixed as 1/32 or 1/64 the clock system frequency depending on SMOD bit. [Figure 12-4](#) shows a simplified functional diagram of the serial port in Mode 2 and associated timings for transmitting and receiving.

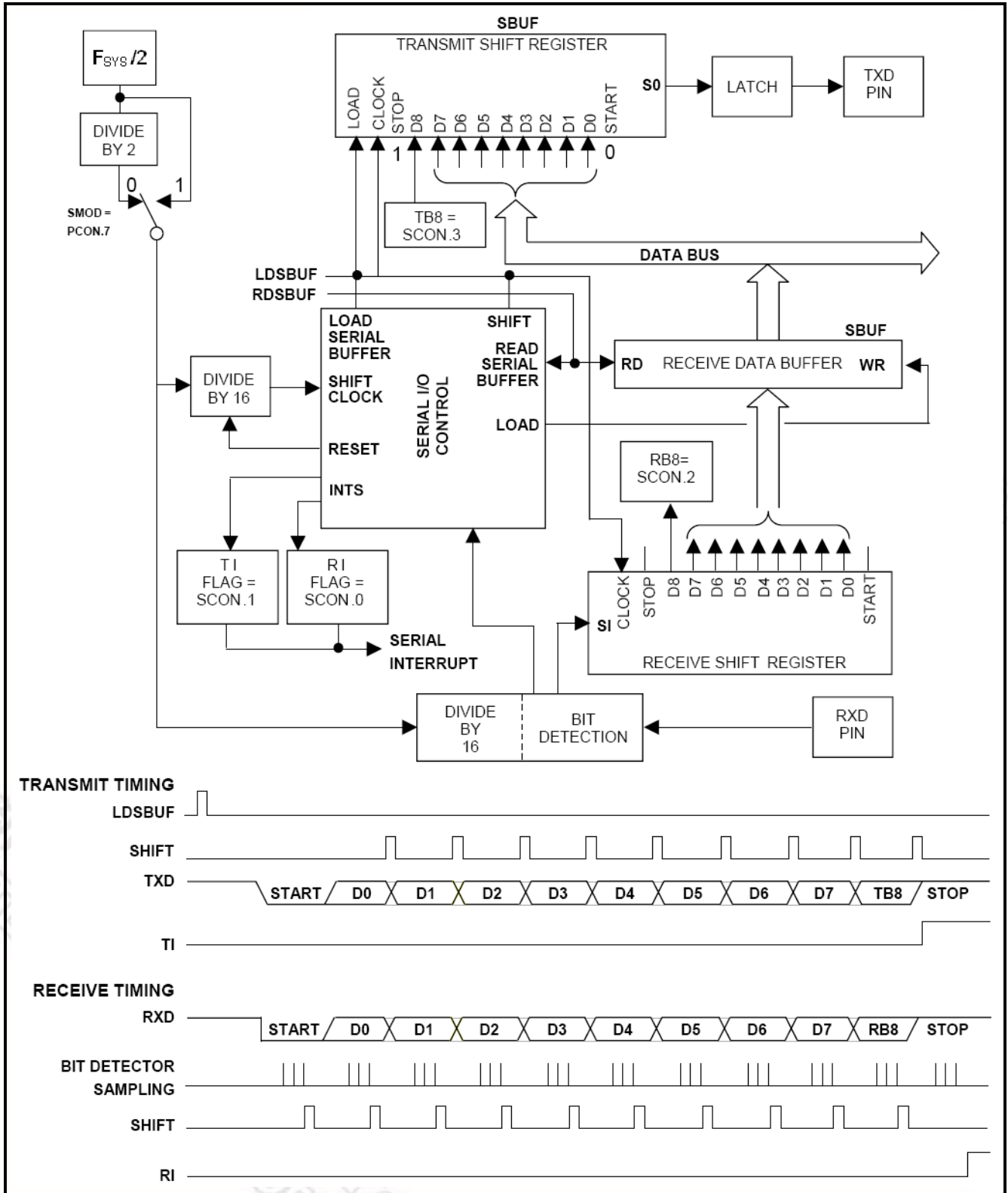


Figure 12-4 Serial Port Mode 2 Function Block and Timing Diagram

Transmission is initiated by any writing instructions to SBUF. Transmission takes place on TXD pin. First the start bit comes out, the 8-bit data and bit TB8 (SCON.3) follows to be shifted out and then ends with a stop bit. After the stop bit appears, TI will be set to indicate the transmission complete.

While REN is set, the reception is allowed at any time. A falling edge of a start bit on RXD will initiate the reception process. Data will be sampled and shifted in at the selected baud rate. In the midst of the 9th bit, certain conditions should be met to LOAD SBUF with the received data:

1. RI (SCON.0) = 0, and
2. Either SM2(SCON.5) = 0, or the received 9th bit = 1 while SM2 = 1.

If these conditions are met, the SBUF will be loaded with the received data, the RB8(SCON.2) with TB8 bit and RI will be set. If these conditions fail, there will be no data loaded and RI will remain 0. After above receiving progress, the serial control will look forward another 1-0 transition on RXD pin to start next data reception.

12.4 Mode 3

Mode 3 has the same operation as Mode 2, except its baud rate clock source. As shown is [Figure 12-5](#), Mode 3 uses Timer 1 overflow as its baud rate clock.

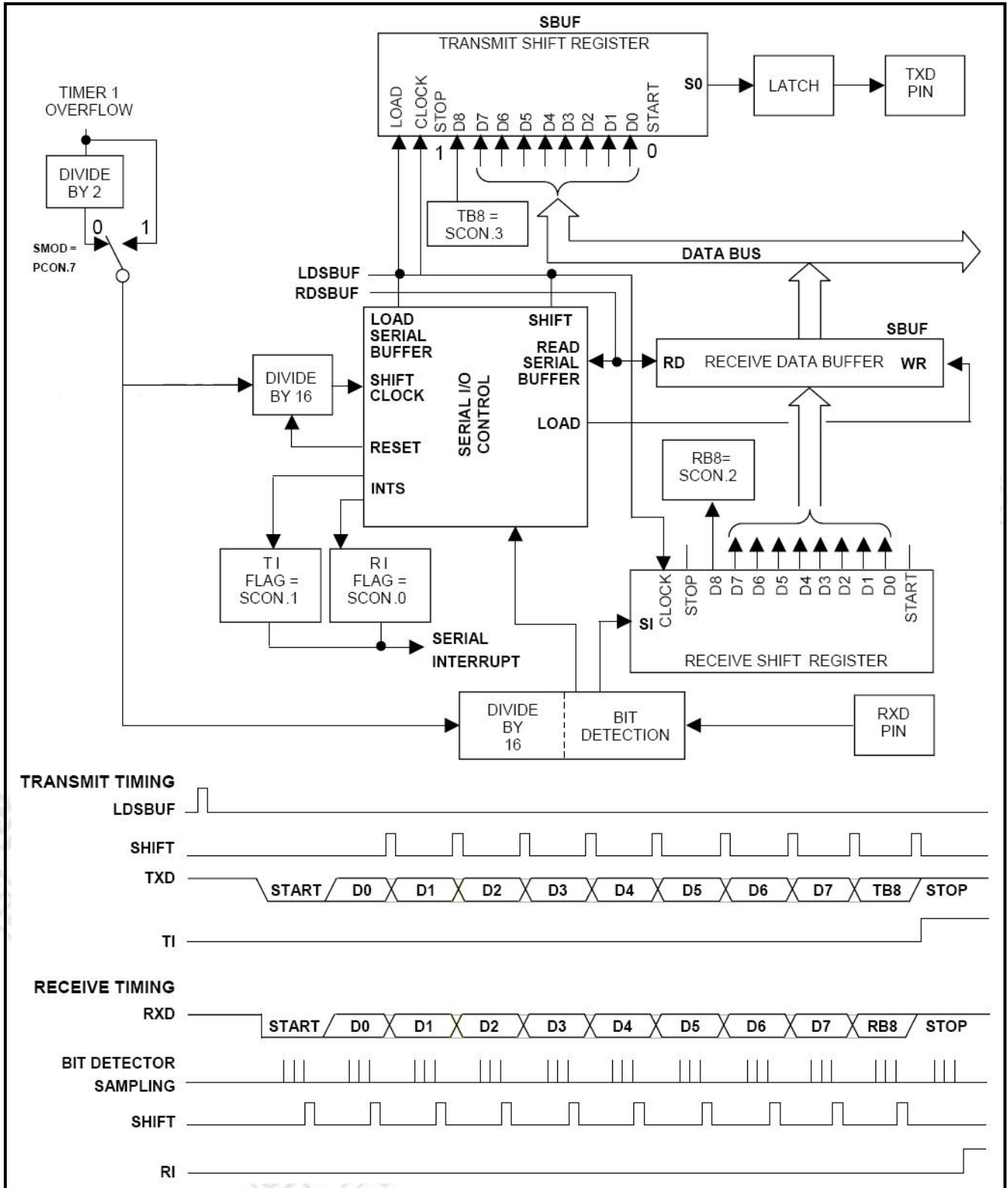


Figure 12-5 Serial Port Mode 3 Function Block



12.5 Baud Rates

Table 12–2 UART Baud Rate Formulas

UART Mode	Baud Rate Clock Source	Baud Rate
0	Oscillator	$F_{SYS} / 12$ or $F_{SYS} / 4$ ^[1]
2	Oscillator	$\frac{2^{SMOD}}{64} \times F_{SYS}$
1 or 3	Timer/Counter 1 overflow ^[2]	$\frac{2^{SMOD}}{32} \times \frac{F_{SYS}}{12 \times (256 - TH1)}$ or $\frac{2^{SMOD}}{32} \times \frac{F_{SYS}}{4 \times (256 - TH1)}$ ^[3]

[1] While SM2 (SCON.5) is set as logic 1.

[2] Timer 1 is configured as a timer in auto-reload mode (Mode 2).

[3] While T1M (CKCON.4) is set as logic 1.

Note that in using Timer 1 as the baud rate generator, the interrupt should be disabled. The Timer itself can be configured for either “Timer” or “Counter” operation. And Timer 1 can be in any of its 3 running modes. In the most typical applications, it is configured for “Timer” operation, in the auto-reload mode (Mode2). If Timer 1 is used as the baud rate generator, the reloaded value is stored in TH1. Therefore the baud rate is determined by TH1 value.

Table 12–3 lists various commonly used baud rates and how they can be obtained from Timer 1. In this mode, Timer 1 operates with divided-by-12 pre-scale, as an auto-reload Timer with SMOD (PCON.7) is 0. If SMOD is 1, the baud rate will be doubled.

Table 12–3 Timer 1 Generated Commonly Used Baud Rates

TH1 reload value	Oscillator Frequency (MHz)			
	11.0592	14.7456	18.432	22.1184
Baud Rate				
57600				FFh
38400		FFh		
19200		FEh		FDh
9600	FDh	FCh	FBh	FAh
4800	FAh	F8h	F6h	F4h
2400	F4h	F0h	ECh	E8h
1200	E8h	E0h	D8h	D0h
300	A0h	80h	60h	40h

12.6 Framing Error Detection

Framing error detection is provided for asynchronous modes. (Mode 1, 2 and 3.) The framing error occurs when a valid stop bit is not detected due to the bus noise or contention. The UART can detect a framing error and notify the software.

The framing error bit, FE, is located in SCON.7. This bit normally serves as SM0. While the framing error detection enable bit SMOD0 (PCON.6) is set 1, it serves as FE flag. Actually SM0 and FE locate in different registers.

The FE bit will be set 1 via hardware while a framing error occurs. It should be cleared via software. Note that SMOD0 should be 1 while reading or writing to FE. If FE is set, any of the following frames received without any error will not clear the FE flag. The clearing has to be done via software.

12.7 Multiprocessor Communication

The communication feature of the N79E845/844/8432 enables a Master device send a multiple frame serial message to a Slave device in a multi-slave configuration. It does this without interrupting other slave devices that may be on the same serial line. UART mode 2 or 3 mode can use this feature only. After 9 data bits are received. The 9th bit value is written to RB8 (SCON.2). The user can enable this function by setting SM2 (SCON.5) as logic 1 so that when the stop bit is received, the serial interrupt will be generated only if RB8 is 1. When the SM2 bit is 1, serial data frames that are received with the 9th bit as 0 do not generate an interrupt. In this case, the 9th bit simply separates the address from the serial data.

When the Master device wants to transmit a block of data to one of several slaves on a serial line, it first sends out an address byte to identify the target slave. Note that in this case, an address byte differs from a data byte: In an address byte, the 9th bit is 1 and in a data byte, it is 0. The address byte interrupts all slaves so that each slave can examine the received byte and see if it is being addressed. The addressed slave then clears its SM2 bit and prepares to receive incoming data bytes. The SM2 bits of slaves that were not addressed remain set, and they continue operating normally while ignoring the incoming data bytes.

Follow the steps below to configure multiprocessor communications:

1. Set all devices (Masters and Slaves) to UART mode 2 or 3.
2. Write the SM2 bit of all the Slave devices to 1.
3. The Master device's transmission protocol is:
 - First byte: the address, identifying the target slave device, (9th bit = 1).
 - Next bytes: data, (9th bit = 0).



4. When the target Slave receives the first byte, all of the Slaves are interrupted because the 9th data bit is 1. The targeted Slave compares the address byte to its own address and then clears its SM2 bit to receiving incoming data. The other slaves continue operating normally.

5. After all data bytes have been received, set SM2 back to 1 to wait for next address.

SM2 has no effect in Mode 0, and in Mode 1 can be used to check the validity of the stop bit. For mode 1 reception, if SM2 is 1, the receiving interrupt will not be issue unless a valid stop bit is received.

12.8 Automatic Address Recognition

The automatic address recognition is a feature which enhances the multiprocessor communication feature by allowing the UART to recognize certain addresses in the serial bit stream by using hardware to make the comparisons. This feature saves a great deal of software overhead by eliminating the need for the software to examine every serial address which passes by the serial port. Only when the serial port recognizes its own address, the receiver sets RI bit to request an interrupt. The automatic address recognition feature is enabled when the multiprocessor communication feature is enabled. (SM2 is set.)

If desired, the user may enable the automatic address recognition feature in Mode 1. In this configuration, the stop bit takes the place of the ninth data bit. RI is set only when the received command frame address matches the device's address and is terminated by a valid stop bit.

Using the automatic address recognition feature allows a master to selectively communicate with one or more slaves by invoking the "Given" slave address or addresses. All of the slaves may be contacted by using the "Broadcast" address. Two SFRs are used to define the slave address, SADDR, and the slave address mask, SADEN. SADEN is used to define which bits in the SADDR are to be used and which bits are "don't care". The SADEN mask can be logically ANDed with the SADDR to create the "Given" address which the master will use for addressing each of the slaves. Use of the "Given" address allows multiple slaves to be recognized while excluding others.

SADDR – Slave Address

7	6	5	4	3	2	1	0
SADDR[7:0]							
R/W							

Address: A9H

Reset value: 0000 0000B

Bit	Name	Description
7:0	SADDR[7:0]	Slave Address. This byte specifies the microcontroller's own slave address for UART multiprocessor communication.

**SADEN – Slave Address Mask**

7	6	5	4	3	2	1	0
SADEN[7:0]							
R/W							

Address: B9H

Reset value: 0000 0000B

Bit	Name	Description
7:0	SADEN[7:0]	Slave Address Mask. This byte is a mask byte that contains “don’t-care” bits (defined by zeros) to form the device’s given address. The don’t-care bits provide the flexibility to address one or more Slaves at a time.

The following examples will help to show the versatility of this scheme.

Example 1, slave 0:

```
SADDR = 11000000b
SADEN = 11111101b
Given = 110000X0b
```

Example 2, slave 1:

```
SADDR = 11000000b
SADEN = 11111110b
Given = 1100000Xb
```

In the above example SADDR is the same and the SADEN data is used to differentiate between the two slaves. Slave 0 requires 0 in bit 0 and it ignores bit 1. Slave 1 requires 0 in bit 1 and bit 0 is ignored. A unique address for Slave 0 would be 1100 0010B since slave 1 requires 0 in bit 1. A unique address for slave 1 would be 11000001b since 1 in bit 0 will exclude slave 0. Both slaves can be selected at the same time by an address which has bit 0 = 0 (for slave 0) and bit 1 = 0 (for slave 1). Thus, both could be addressed with 11000000b.

In a more complex system the following could be used to select slaves 1 and 2 while excluding slave 0:

Example 1, slave 0:

```
SADDR = 11000000b
SADEN = 11111001b
Given = 11000XX0b
```

Example 2, slave 1:

```
SADDR = 11100000b
SADEN = 11111010b
Given = 11100X0Xb
```

Example 3, slave 2:

```
SADDR = 11000000b
SADEN = 11111100b
```



Given = 110000XXb

In the above example the differentiation among the 3 slaves is in the lower 3 address bits. Slave 0 requires that bit 0 = 0 and it can be uniquely addressed by 11100110b. Slave 1 requires that bit 1 = 0 and it can be uniquely addressed by 11100101b. Slave 2 requires that bit 2 = 0 and its unique address is 11100011b. To select Slaves 0 and 1 and exclude Slave 2 use address 11100100b, since it is necessary to make bit 2 = 1 to exclude slave 2. The “Broadcast” address for each slave is created by taking the logical OR of SADDR and SADEN. Zeros in this result are treated as “don’t care”. In most cases, interpreting the “don’t care” as ones, the broadcast address will be FFH.

On reset, SADDR and SADEN are initialized to 00H. This produces a “Given” address of all “don’t care” as well as a “Broadcast” address of all XXXXXXXXb (all “don’t care” bits). This effectively disables the automatic addressing mode and allows the microcontroller to use standard UART drivers which do not make use of this feature.

13 Serial Peripheral Interface (SPI)

13.1 Features

The N79E845/844/8432 exists a Serial Peripheral Interface (SPI) block to support high-speed serial communication. SPI is a full-duplex, high-speed, synchronous communication bus between MCUs or other peripheral devices such as serial EEPROM, LCD driver, or D/A converter. It provides either Master or Slave mode, high-speed rate up to $F_{SYS}/16$ for Master mode and $F_{SYS}/4$ for Slave mode, transfer complete and write collision flag. For a multi-master system, SPI supports Master Mode Fault to protect a multi-master conflict.

13.2 Functional Description

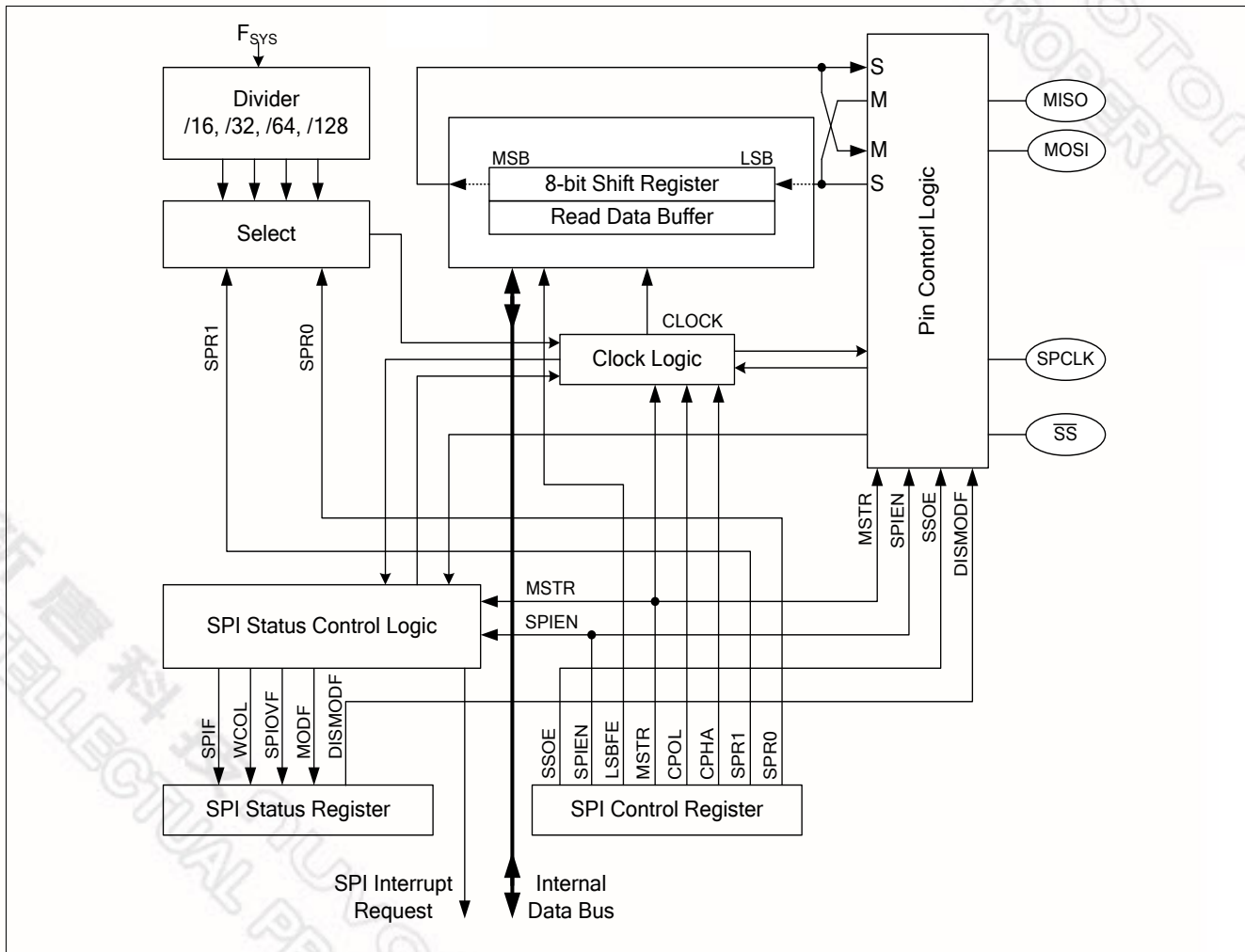


Figure 13-1 SPI Block Diagram

Figure 13-1 shows SPI block diagram and provides an overview of SPI architecture in this device. The main blocks of SPI are the SPI control register logic, SPI status logic, clock rate control logic, and pin control logic. For a serial data transfer

or receiving, The SPI block exists a shift register and a read data buffer. It is single buffered in the transmit direction and double buffered in the receiving direction. Transmit data cannot be written to the shifter until the previous transfer is complete. Receiving logic consists of parallel read data buffer so the shift register is free to accept a second data, as the first received data will be transferred to the read data buffer.

The four pins of SPI interface are Master-In/Slave-Out (MISO), Master-Out/Slave-In (MOSI), Shift Clock (SPCLK), and Slave Select (\overline{SS}). The MOSI pin is used to transfer a 8-bit data in series from the Master to the Slave. Therefore, MOSI is an output pin for Master device and a input for Slave. Respectively, the MISO is used to receive a serial data from the Slave to the Master.

The SPCLK pin is the clock output in Master mode, but is the clock input in Slave mode. The shift clock is used to synchronize the data movement both in and out of the devices through their MOSI and MISO pins. The shift clock is driven by the Master mode device for eight clock cycles which exchanges one byte data on the serial lines. For the shift clock is always produced out of the Master device, the system should never exist more than one device in Master mode for avoiding device conflict. It is strongly recommended that the Schmitt trigger input buffer be enabled.

Each Slave peripheral is selected by one Slave Select pin (\overline{SS}). The signal should stay low for any Slave access. When \overline{SS} is driven high, the Slave device will be inactivated. If the system is multi-slave, there should be only one Slave device selected at the same time. In the Master mode MCU, the \overline{SS} pin does not function and it can be configured as a general purpose I/O. However, \overline{SS} can be used as Master Mode Fault detection (see [Section 13.7“Mode Fault Detection”](#)) via software setting if multi-master environment exists. The N79E845/844/8432 also provide auto-activating function to toggle \overline{SS} between each byte-transfer.

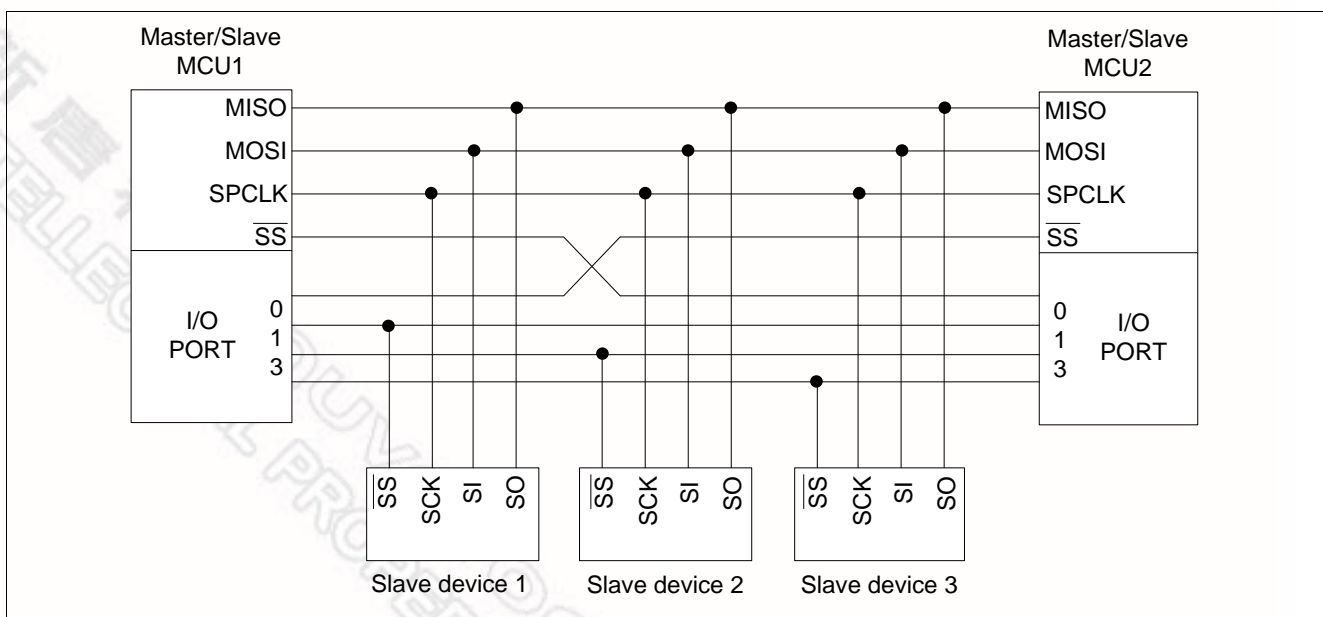


Figure 13-2 SPI Multi-master, Multi-slave Interconnection

Figure 13-2 shows a typical interconnection of SPI devices. The bus generally connects devices together through three signal wires, MOSI to MOSI, MISO to MISO, and SPCLK to SPCLK. The Master devices select the individual Slave devices by using four pins of a parallel port to control the four \overline{SS} pins. MCU1 and MCU2 play either Master or Slave mode. The \overline{SS} should be configured as Master Mode Fault detection to avoid multi-master conflict.

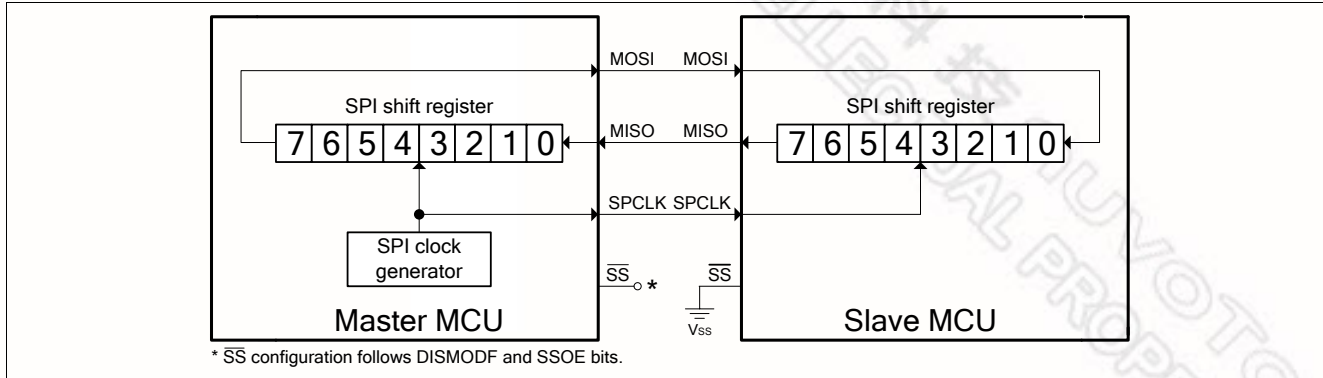


Figure 13-3 SPI Single-master, Single-slave Interconnection

Figure 13-3 shows the simplest SPI system interconnection, single-master and signal-slave. During a transfer, the Master shifts data out to the Slave via MOSI line. While simultaneously, the Master shifts data in from the Slave via MISO line. The two shift registers in the Master MCU and the Slave MCU can be considered as one 16-bit circular shift register. Therefore, while a transfer data pushed from Master into Slave, the data in Slave will be also pulled in Master device respectively. The transfer effectively exchanges the data which was in the SPI shift registers of the two MCUs.

By default, SPI data is transferred MSB first. If the LSBFE (SPCR.5) is set, SPI data shifts LSB first. This bit does not affect the position of the MSB and LSB in the data register. Note that all following Description and figures are under the condition of LSBFE logic 0. MSB is transmitted and received first.

13.3 SPI Control Registers

There are three SPI registers to support its operations, they are SPI control register (SPCR), SPI status register (SPSR), and SPI data register (SPDR), which registers provide control, status, data storage functions, and clock rate selection. The following registers relate to SPI function.



SPCR – Serial Peripheral Control Register

7	6	5	4	3	2	1	0
SSOE	SPIEN	LSBFE	MSTR	CPOL	CPHA	SPR1	SPR0
R/W	R/W	R/W	R/W	R/W	R/W	R/W	R/W

Address: F3H

Reset value: 0000 0000B

Bit	Name	Description
7	SSOE	<p>Slave Select Output Enable</p> <p>This bit is used in combination with the DISMODF (SPSR.3) bit to determine the feature of \overline{SS} pin. This bit takes effect only under MSTR = 1 and DISMODF = 1 condition.</p> <p>0 = \overline{SS} functions as a general purpose I/O pin.</p> <p>1 = \overline{SS} automatically goes low for each transmission when selecting external Slave device and goes high during each idle state to de-select the Slave device.</p>
6	SPIEN	<p>SPI Enable</p> <p>0 = Disable SPI function.</p> <p>1 = Enable SPI function.</p>
5	LSBFE	<p>LSB First Enable</p> <p>0 = The SPI data is transferred MSB first.</p> <p>1 = The SPI data is transferred LSB first.</p>
4	MSTR	<p>Master Mode Enable</p> <p>This bit switches the SPI operating between Master and Slave modes.</p> <p>0 = The SPI is configured as Slave mode.</p> <p>1 = The SPI is configured as Master mode.</p>
3	CPOL	<p>SPI Clock Polarity Selection</p> <p>CPOL bit determines the idle state level of the SPI clock. Refer to Figure 13–4 SPI Clock Format</p> <p>0 = SPI clock is low in idle state.</p> <p>1 = SPI clock is high in idle state.</p>



Bit	Name	Description																				
2	CPHA	SPI clock phase select CPHA bit determines the data sampling edge of the SPI clock. See Figure 13–4 SPI Clock Format. 0 = The data is sampled on the first edge of the SPI clock. 1 = The data is sampled on the second edge of the SPI clock.																				
1	SPR1	SPI Clock Rate Selection The two bits select four grades of SPI clock divider. <table border="1"> <thead> <tr> <th>SPR1</th> <th>SPR0</th> <th>Divider</th> <th>SPI clock rate</th> </tr> </thead> <tbody> <tr> <td>0</td> <td>0</td> <td>16</td> <td>1.25M bit/s</td> </tr> <tr> <td>0</td> <td>1</td> <td>32</td> <td>625k bit/s</td> </tr> <tr> <td>1</td> <td>0</td> <td>64</td> <td>312k bit/s</td> </tr> <tr> <td>1</td> <td>1</td> <td>128</td> <td>156k bit/s</td> </tr> </tbody> </table> The clock rates above are illustrated under F_{sys} = 20 MHz condition.	SPR1	SPR0	Divider	SPI clock rate	0	0	16	1.25M bit/s	0	1	32	625k bit/s	1	0	64	312k bit/s	1	1	128	156k bit/s
SPR1	SPR0		Divider	SPI clock rate																		
0	0	16	1.25M bit/s																			
0	1	32	625k bit/s																			
1	0	64	312k bit/s																			
1	1	128	156k bit/s																			
0	SPR0																					

Table 13–1 Slave Select Pin Configuration

DISMODF	SSOE	Master Mode (MSTR = 1)	Slave Mode (MSTR = 0)
0	x	\overline{SS} input for Mode Fault	\overline{SS} Input for Slave select
1	0	General purpose I/O	
1	1	Automatic \overline{SS} output	

SPSR – Serial Peripheral Status Register

7	6	5	4	3	2	1	0
SPIF	WCOL	SPIOVF	MODF	DISMODF	-	-	-
R/W	R/W	R/W	R/W	R/W	-	-	-

Address: F4H

Reset value: 0000 0000B

Bit	Name	Description
7	SPIF	SPI Complete Flag This bit is set to logic 1 via hardware while an SPI data transfer is complete or an receiving data has been moved into the SPI read buffer. If ESPI (EIE .6) and EA are enabled, an SPI interrupt will be required. This bit should be cleared via software. Attempting to write to SPDR is inhibited if SPIF is set.
6	WCOL	Write Collision Error Flag This bit indicates a write collision event. Once a write collision event occurs, this bit will be set. It should be cleared via software.



Bit	Name	Description
5	SPIOVF	SPI Overrun Error Flag This bit indicates an overrun event. Once an overrun event occurs, this bit will be set. If ESPI and EA are enabled, an SPI interrupt will be required. This bit should be cleared via software.
4	MODF	Mode Fault Error Flag This bit indicates a Mode Fault error event. If \overline{SS} pin is configured as Mode Fault input (MSTR = 1 and DISMODF = 0) and \overline{SS} is pulled low by external devices, a Mode Fault error occurs. Instantly MODF will be set as logic 1. If ESPI and EA are enabled, an SPI interrupt will be required. This bit should be cleared via software.
3	DISMODF	Mode Fault Error Detection Disable This bit is used in combination with the SSOE (SPCR.7) bit to determine the feature of \overline{SS} pin. DISMODF affects only in Master mode (MSTR = 1). 0 = Mode Fault detection is not disabled. \overline{SS} serves as input pin for Mode Fault detection disregard of SSOE. 1 = Mode Fault detection is disabled. The feature of \overline{SS} follows SSOE bit.
2:0	-	Reserved

SPDR – Serial Peripheral Data Register

7	6	5	4	3	2	1	0
SPDR[7:0]							
R/W							

Address: F5H

Reset value: 0000 0000B

Bit	Name	Description
7:0	SPDR[7:0]	Serial Peripheral Data This byte is used for transmitting or receiving data on SPI bus. A write of this byte is a write to the shift register. A read of this byte is actually a read of the read data buffer. In Master mode, a write to this register initiates transmission and reception of a byte simultaneously.

13.4 Operating Modes

13.4.1 Master Mode

The SPI can operate in Master mode while MSTR (SPCR.4) is set as 1. Only one Master SPI device can initiate transmissions. A transmission always begins by Master through writing to SPDR. The byte written to SPDR begins shifting out on

MOSI pin under the control of SPCLK. Simultaneously, another byte shifts in from the Slave on the MISO pin. After 8-bit data transfer complete, SPIF (SPSR.7) will automatically set via hardware to indicate one byte data transfer complete. At the same time, the data received from the Slave is also transferred in SPDR. The user can clear SPIF and read data out of SPDR.

13.4.2 Slave Mode

When MSTR is 0, the SPI operates in Slave mode. The SPCLK pin becomes input and it will be clocked by another Master SPI device. The \overline{SS} pin becomes input. The Master device cannot exchange data with the Slave device until the \overline{SS} pin of the Slave device is externally pulled low. Before data transmissions occurs, the \overline{SS} of the Slave device should be pulled and remain low until the transmission is complete. If \overline{SS} goes high, the SPI is forced into idle state. If the \overline{SS} is force to high at the middle of transmission, the transmission will be aborted and the rest bits of the receiving shifter buffer will be high and goes into idle state.

In Slave mode, data flows from the Master to the Slave on MOSI pin and flows from the Slave to the Master on MISO pin. The data enters the shift register under the control of the SPCLK from the Master device. After one byte is received in the shift register, it is immediately moved into the read data buffer and the SPIF bit is set. A read of the SPDR is actually a read of the read data buffer. To prevent an overrun and the loss of the byte that caused by the overrun, the Slave should read SPDR out and the first SPIF should be cleared before a second transfer of data from the Master device comes in the read data buffer.

13.5 Clock Formats and Data Transfer

To accommodate a wide variety of synchronous serial peripherals, the SPI has a clock polarity bit CPOL (SPCR.3) and a clock phase bit CPHA (SPCR.2). [Figure 13-4 SPI Clock Format](#) shows that CPOL and CPHA compose four different clock formats. The CPOL bit denotes the SPCLK line level in ISP idle state. The CPHA bit defines the edge on which the MOSI and MISO lines are sampled. The CPOL and CPHA should be identical for the Master and Slave devices on the same system. Communicating in different data formats with one another will result in undetermined results.

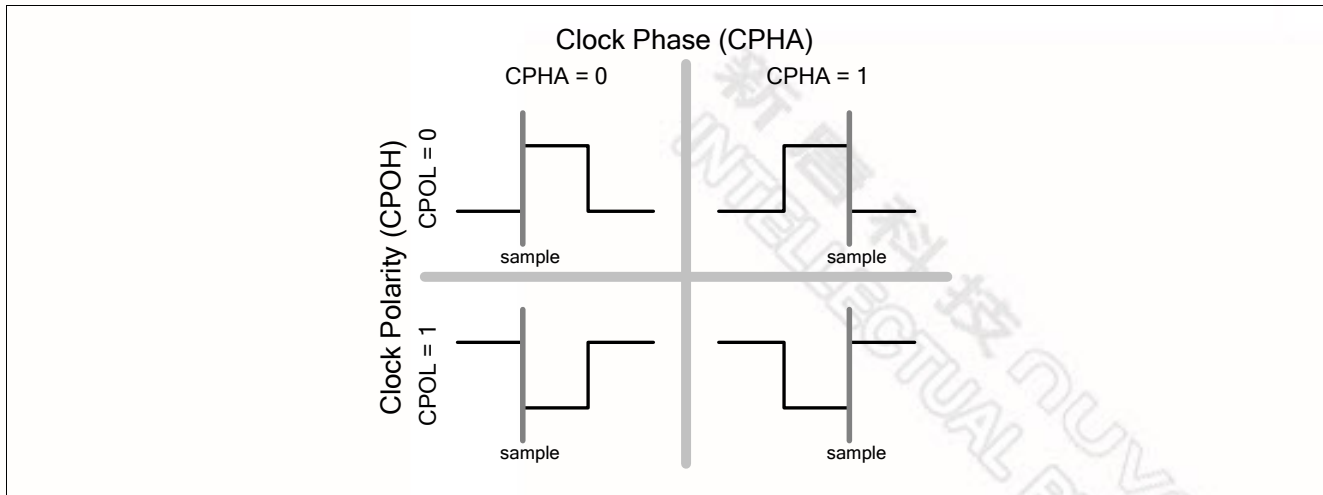


Figure 13-4 SPI Clock Format

In SPI, a Master device always initiates the transfer. If SPI is selected as Master mode ($MSTR = 1$) and enabled ($SPIEN = 1$), writing to the SPI data register (SPDR) by the Master device starts the SPI clock and data transfer. After shifting one byte out and receiving one byte in, the SPI clock stops and SPIF (SPSR.7) in both Master and Slave are set. If SPI interrupt enable bit ESPI (EIE.6) is set 1 and global interrupt is enabled ($EA = 1$), the interrupt service routine (ISR) of SPI will be executed.

Concerning the Slave mode, the \overline{SS} signal needs to be taken care. As shown in [Figure 13-4 SPI Clock Format](#), when $CPHA = 0$, the first SPCLK edge is the sampling strobe of MSB (for an example of $LSBFE = 0$, MSB first). Therefore, the Slave should shift its MSB data before the first SPCLK edge. The falling edge of \overline{SS} is used for preparing the MSB on MISO line. The \overline{SS} pin therefore should toggle high and then low between each successive serial byte. Furthermore, if the slave writes data to the SPI data register (SPDR) while \overline{SS} is low, a write collision error occurs.

When $CPHA = 1$, the sampling edge thus locates on the second edge of SPCLK clock. The Slave uses the first SPCLK clock to shift MSB out rather than the \overline{SS} falling edge. Therefore, the \overline{SS} line can remain low between successive transfers. This format may be preferred in systems having single fixed Master and single fixed Slave. The \overline{SS} line of the unique Slave device can be tied to V_{SS} as long as only $CPHA = 1$ clock mode is used.

Note: The SPI should be configured before it is enabled ($SPIEN = 1$), or a change of $LSBFE$, $MSTR$, $CPOL$, $CPHA$ and $SPR[1:0]$ will abort a transmission in progress and force the SPI system into idle state. Prior to any configuration bit changed, $SPIEN$ should be disabled first.

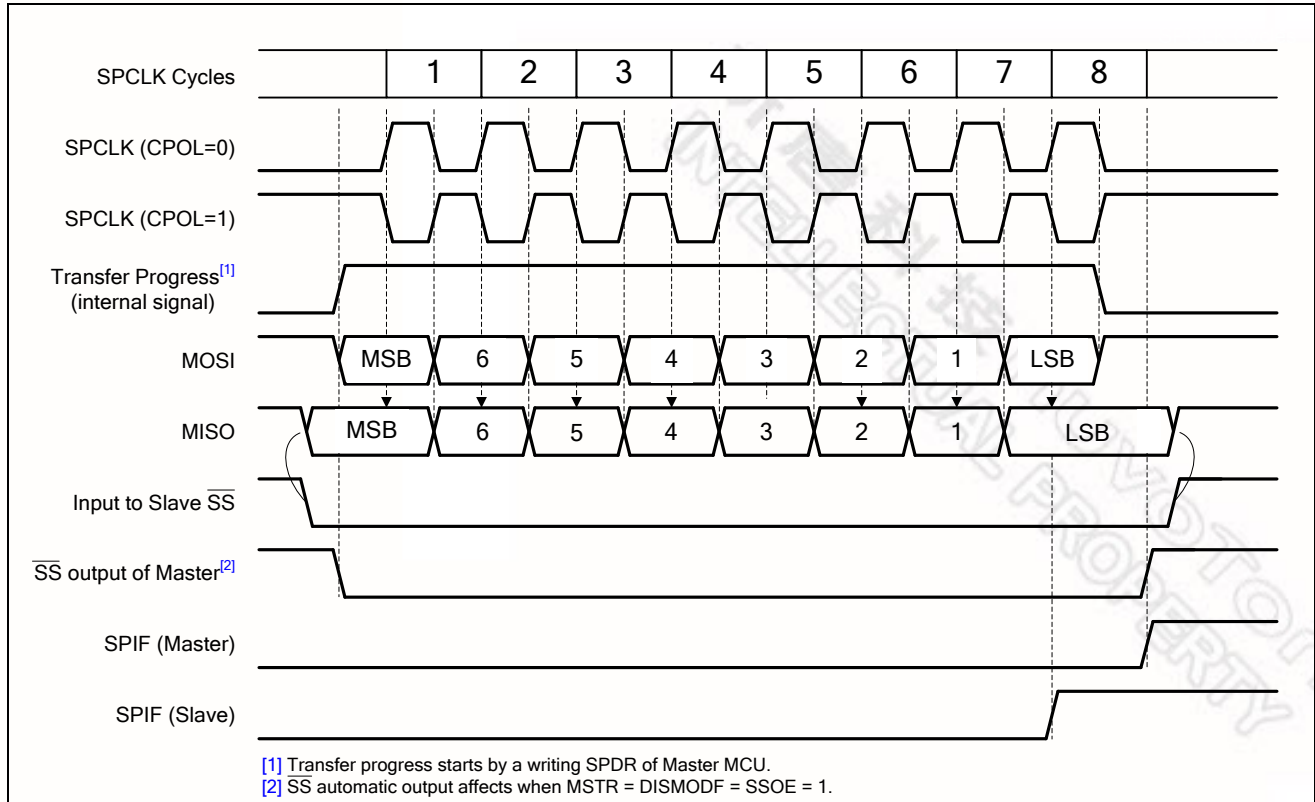


Figure 13-5 SPI Clock and Data Format with CPHA = 0

新唐科技 NUVOTON
 INTELLECTUAL PROPERTY

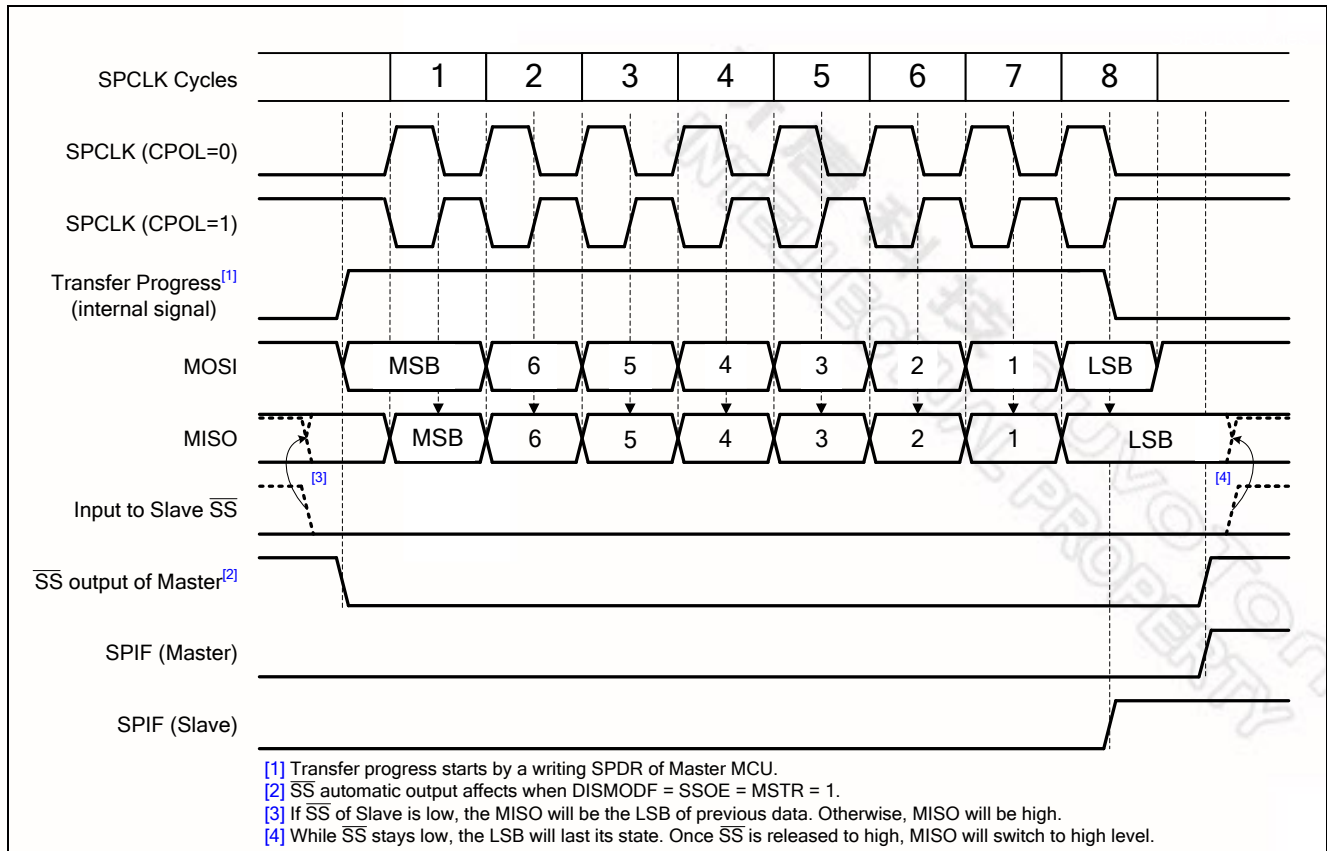


Figure 13–6 SPI Clock and Data Format with CPHA = 1

13.6 Slave Select Pin Configuration

The N79E845/844/8432 SPI provides a flexible \overline{SS} pin feature for different system requirements. When the SPI operates as a Slave, \overline{SS} pin always rules as Slave select input. When the Master mode is enabled, \overline{SS} has three different functions according to DISMODF (SPSR.3) and SSOE (SPCR.7). By default, DISMODF is 0. It means that the Mode Fault detection activates. \overline{SS} is configured as an input pin to check if the Mode Fault appears. On the contrary, if DISMODF is 1, Mode Fault is inactivated and the SSOE bit takes over to control the function of the \overline{SS} pin. While SSOE is 1, it means the Slave select signal will generate automatically to select a Slave device. The \overline{SS} as output pin of the Master usually connects with the \overline{SS} input pin of the Slave device. The \overline{SS} output automatically goes low for each transmission when selecting external Slave device and goes high during each idle state to de-select the Slave device. While SSOE is 0 and DISMODF is 1, \overline{SS} is no more used by the SPI and reverts to be a general purpose I/O pin.

13.7 Mode Fault Detection

The Mode Fault detection is useful in a system where more than one SPI devices might become Masters at the same time. It may induce data contention. A Mode Fault error occurs once the \overline{SS} is pulled low by others. It indicates that some oth-

er SPI device is trying to address this Master as if it is a Slave. Instantly the MSTR and SPIEN control bits in the SPCR are cleared via hardware to disable SPI, Mode Fault flag MODF (SPSR.4) is set and an interrupt is generated if ESPI (EIE .6) and EA are enabled.

13.8 Write Collision Error

The SPI is signal buffered in the transfer direction and double buffered in the receiving direction. New data for transmission cannot be written to the shift register until the previous transaction is complete. Write collision occurs while an attempt was made to write data to the SPDR while a transfer was in progress. SPDR is not double buffered in the transmit direction. Any writing to SPDR cause data to be written directly into the SPI shift register. Once a write collision error is generated, WCOL (SPSR.6) will be set as 1 via hardware to indicate a write collision. In this case, the current transferring data continues its transmission. However the new data that caused the collision will be lost. Although the SPI logic can detect write collisions in both Master and Slave modes, a write collision is normally a Slave error because a Slave has no indicator when a Master initiates a transfer. During the receive of Slave, a write to SPDAT causes a write collision under Slave mode. WCOL flag needs to be cleared via software.

13.9 Overrun Error

For receiving data, the SPI is double buffered in the receiving direction. The received data is transferred into a parallel read data buffer so the shifter is free to accept a second serial byte. However, the received data should be read from SPDR before the next data has been completely shifted in. As long as the first byte is read out of the read data buffer and SPIF is cleared before the next byte is ready to be transferred, no overrun error condition occurs. Otherwise the overrun error occurs. In this condition, the second byte data will not be successfully received into the read data register and the previous data will remain. If overrun occur, SPIOVF (SPSR.5) will be set via hardware. This will also require an interrupt if enabled. [Figure 13–7 SPI Overrun Waveform](#) shows the relationship between the data receiving and the overrun error.

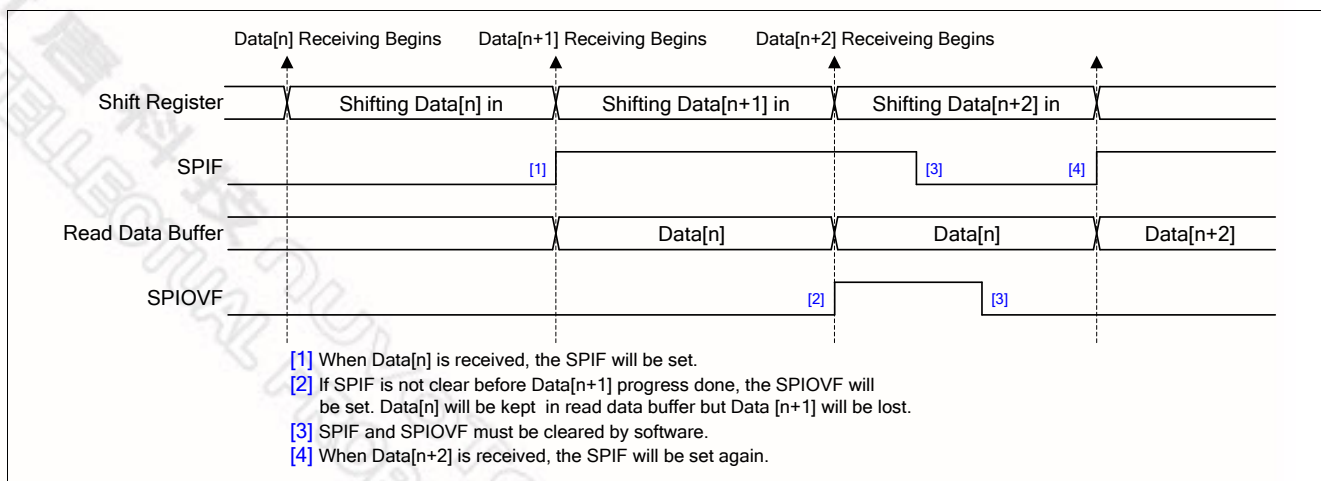


Figure 13–7 SPI Overrun Waveform

13.10 SPI Interrupts

Three SPI status flags, SPIF, MODF, and SPIOVF, can generate an SPI event interrupt requests. All of them locate in SPSR. SPIF will be set after completion of data transfer with external device or a new data have been received and copied to SPDR. MODF becomes set to indicate a low level on \overline{SS} causing the Mode Fault state. SPIOVF denotes a receiving overrun error. If SPI interrupt mask is enabled via setting ESPI (EIE.6) and EA is 1, CPU will executes the SPI interrupt service routine once any of the three flags is set. The user needs to check flags to determine what event caused the interrupt, which the flags are software cleared.

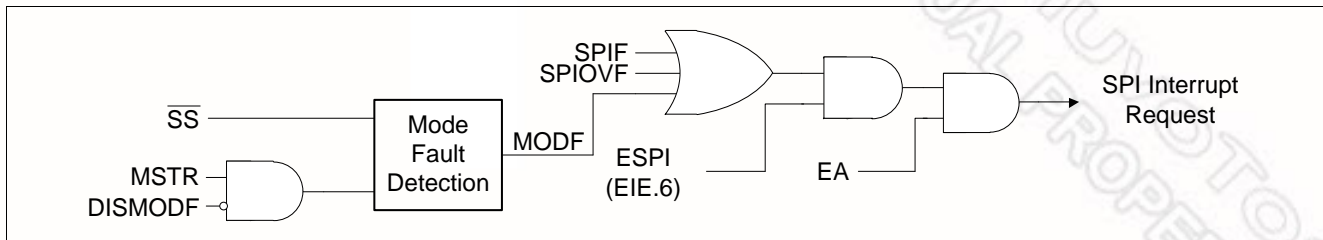


Figure 13–8 SPI Interrupt Request

```

ORG      0000H
LJMP     START

ORG      004BH
LJMP     SPI_ISR

ORG      0100H
SPI_ISR:
ANL      SPSR,#7FH
reti

START:
ANL      SPCR,#0DFH      ;MSB first
ANL      SPCR,#0F7H      ;The SPI clock is low in idle mode
ORL      SPCR,#04H       ;The data is sample on the second edge of SPI clock
ORL      SPCR,#10H       ;SPI in Master mode
ANL      SPCR,#0FCH      ;SPI clock = Fosc/16
SETB     ESPI            ;Enable SPI interrupt
SETB     EA              ;Enable SPI function
ORL      SPCR,#40H

MOV      SPDR,#90H       ;Send 0x90 to Slave
ORL      PCON,#01H       ;Enter idle mode

SJMP     $
END

```

14 Keyboard Interrupt (KBI)

The N79E845/844/8432 provides the 8 keyboard interrupt function to detect keypad status which key is acted, and allow a single interrupt to be generated when any key is pressed on a keyboard or keypad connected to specific pins of the N79E845/844/8432, as shown in the following figure. This interrupt may be used to wake up the CPU from Idle or Power-down mode, after chip is in Power-down or Idle mode.

Keyboard function is supported through by Port 0. It can allow any or all pins of Port 0 to be enabled to cause this interrupt. Port pins are enabled by the setting of bits of KBI0 ~ KBI7 in the KBI register, as shown in the following figure. The Keyboard Interrupt Flag, KBIF[7:0] in the KBIF(EAH), is set when any enabled pin is triggered while the KBI interrupt function is active, an interrupt will be generated if it has been enabled. The KBIF[7:0] bit is set by hardware and should be cleared by software. To determine which key was pressed, the KBI will allow the interrupt service routine to poll port 0.

KBI supports four triggered conditions — low level, falling edge, rising edge and either rising or falling edge detection. The triggered condition of each port pin is individually controlled by two bits KBL1(ECH).x and KBL0(EBH).x where x is 0 to 7. After Trigger occurs and two machines pass, KBIF assert.

KBI is generally used to detect an edge transient from peripheral devices like keyboard or keypad. During idle state, the system prefers to enter Power-Down mode to minimize power consumption and waits for event trigger. The N79E845/844/8432 supports KBI interrupt waking up MCU from Power down. Note that if KBI is selected as any of edge trigger mode, restrictions should be followed to make Power down woken up valid. For a falling edge waking up, pin state should be high at the moment of entering Power-Down mode. Respectively, pin state should be low for a rising edge waking up.

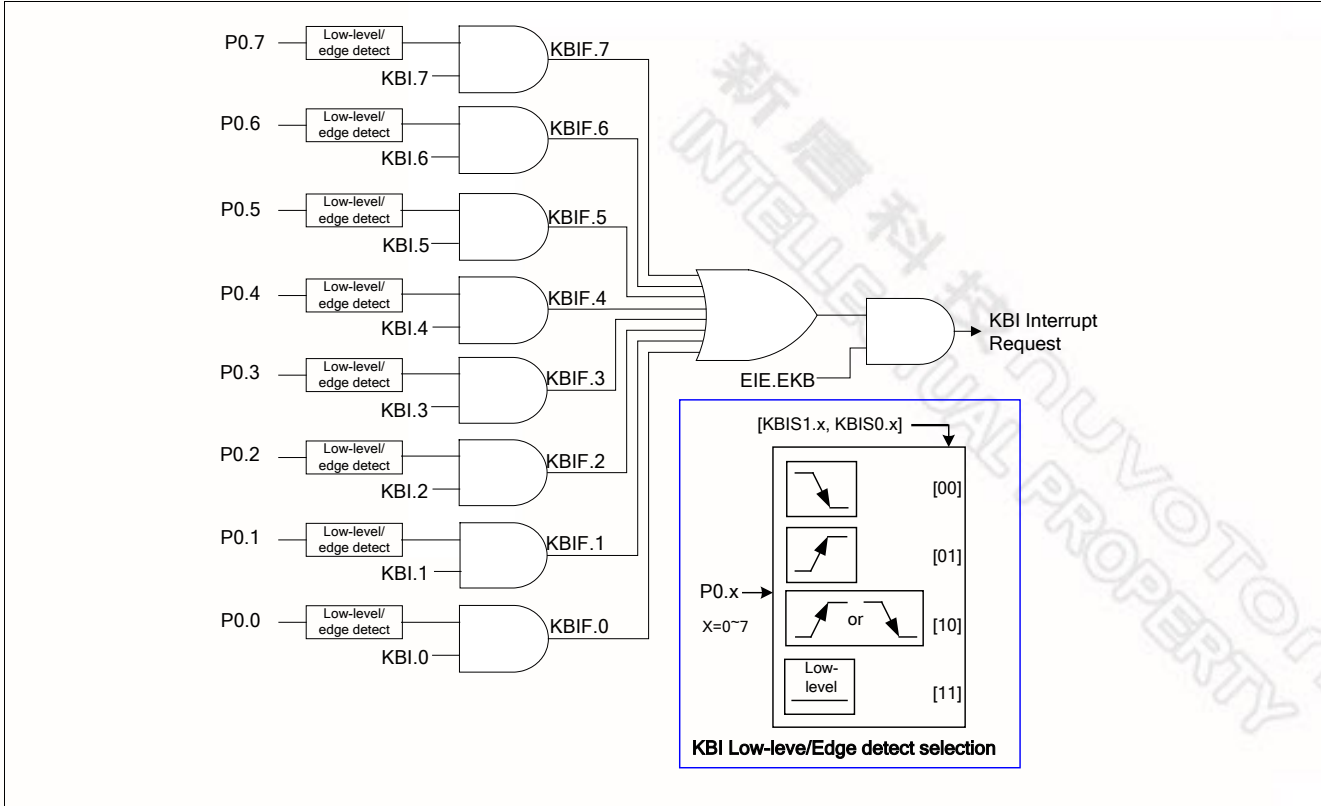


Figure 14-1 Keyboard Interrupt Detection



Table 14-1 Configuration for Different KBI Level Selection

KBLS1.n	KBLS0.n	KBI Channel n Type
0	0	Falling edge
0	1	Rising edge
1	0	Either falling or rising edge
1	1	Low level

KBIE – Keyboard Interrupt Enable Register

7	6	5	4	3	2	1	0
KBIE.7	KBIE.6	KBIE.5	KBIE.4	KBIE.3	KBIE.3	KBIE.1	KBIE.0
R/W	R/W	R/W	R/W	R/W	R/W	R/W	R/W

Address: E9H

Reset value: 0000 0000B

Bit	Name	Description
7:0	KBIE	Keyboard Interrupt Enable P0[7:0] as a cause of a Keyboard interrupt.

KBIF – Keyboard Interface Flags

7	6	5	4	3	2	1	0
KBIF[7:0]							
R (level) R/W (edge)							

Address: EAH

Reset value: 0000 0000B

Bit	Name	Description
7:0	KBIFn	Keyboard Interface Channel n Flag If any edge trigger mode of KBI is selected, this flag will be set by hardware if KBI channel n (P0.n) detects a type defined edge. This flag should be cleared by software. If the low level trigger mode of KBI is selected, this flag follows the inverse of the input signal's logic level on KBI channel n (P0.n). Software cannot control it.

KBLS0 – Keyboard Level Select 0^[1]

7	6	5	4	3	2	1	0
KBLS0[7:0]							
R/W							

Address: EBH

Reset value: 0000 0000B

Bit	Name	Description
7:0	KBLS0[7:0]	Keyboard Level Select 0

KBLS1 – Keyboard Level Select 1^[1]

7	6	5	4	3	2	1	0
KBLS1[7:0]							
R/W							

Address: ECH

Reset value: 0000 0000B

Bit	Name	Description
7:0	KBLS1[7:0]	Keyboard Level Select 1

[1] KBLS1 and KBLS0 is used in combination to determine the input type of each channel of KBI (on P0). Refer to [Table 14–1 Configuration for Different KBI Level Select](#).

15 Analog-To-Digital Converter (ADC)

The ADC contains a DAC which converts the contents of a successive approximation register to a voltage (VDAC) which is compared to the analog input voltage (V_{in}). The output of the comparator is fed to the successive approximation control logic which controls the successive approximation register. A conversion is initiated by setting ADCS in the ADCCON0 register. ADCS can be set by software only or by either hardware or software.

Note that when the ADC function is disabled, all ADC related SFR bits will be unavailable and will not effect any other CPU functions. The power of ADC block is approached to zero.

The software only start mode is selected when control bit ADCCON0.5 (ADCEX) =0. A conversion is then started by setting control bit ADCCON0.3 (ADCS) The hardware or software start mode is selected when ADCCON0.5 (ADCEX) =1, and a conversion may be started by setting ADCCON0.3 as above or by applying a rising edge to external pin STADC. When a conversion is started by applying a rising edge, a low level should be applied to STADC for at least one machine-cycle followed by a high level for at least one machine-cycle.

The low-to-high transition of STADC is recognized at the end of a machine-cycle, and the conversion commences at the beginning of the next cycle. When a conversion is initiated by software, the conversion starts at the beginning of the machine-cycle which follows the instruction that sets ADCS. ADCS is actually implemented with tpw flip-flops: a command flip-flop which is affected by set operations, and a status flag which is accessed during read operations.

The next two machine-cycles are used to initiate the converter. At the end of the first cycle, the ADCS status flag is set and a value of "1" will be returned if the ADCS flag is read while the conversion is in progress. Sampling of the analog input commences at the end of the second cycle.

During the next eight machine-cycles, the voltage at the previously selected pin of port 0 is sampled, and this input voltage should be stable to obtain a useful sample. In any event, the input voltage slew rate should be less than 10V/ms to prevent an undefined result.

The successive approximation control logic first sets the most significant bit and clears all other bits in the successive approximation register (10 0000 0000b). The output of the DAC (50% full scale) is compared to the input voltage V_{in} . If the input voltage is greater than VDAC, the bit remains set; otherwise it is cleared.

The successive approximation control logic now sets the next most significant bit (11 0000 0000b or 01 0000 0000b, depending on the previous result), and the VDAC is compared to V_{in} again. If the input voltage is greater than VDAC, the bit remains set; otherwise it is cleared. This process is repeated until all ten bits have been tested, at which stage the result of the conversion is held in the successive approximation register. The conversion takes four machine-cycles per bit.

The end of the 10-bit conversion is flagged by control bit ADCCON0.4 (ADCI). The upper 8 bits of the result are held in special function register ADCH, and the two remaining bits are held in ADCCON0.7 (ADC.1) and ADCCON0.6 (ADC.0). The user may ignore the two least significant bits in ADCCON0 and use the ADC as an 8-bit converter (8 upper bits in ADCH). In any event, the total actual conversion time is 35 machine-cycles. ADC will be set and the ADCS status flag will be reset 35 cycles after the ADCS is set.

Control bits ADCCON0.0 ~ ADCCON0.2 are used to control an analog multiplexer which selects one of 8 analog channels. An ADC conversion in progress is unaffected by an external or software ADC start. The result of a completed conversion remains unaffected provided ADCI = logic 1; a new ADC conversion already in progress is aborted when entering Idle or Power-down mode. The result of a completed conversion (ADCI = logic 1) remains unaffected when entering Idle mode.

When ADCCON0.5 (ADCEX) is set by external pin to start ADC conversion, after the N79E845/844/8432 entry Idle mode, P1.4 can start ADC conversion at least ONE machine-cycle.

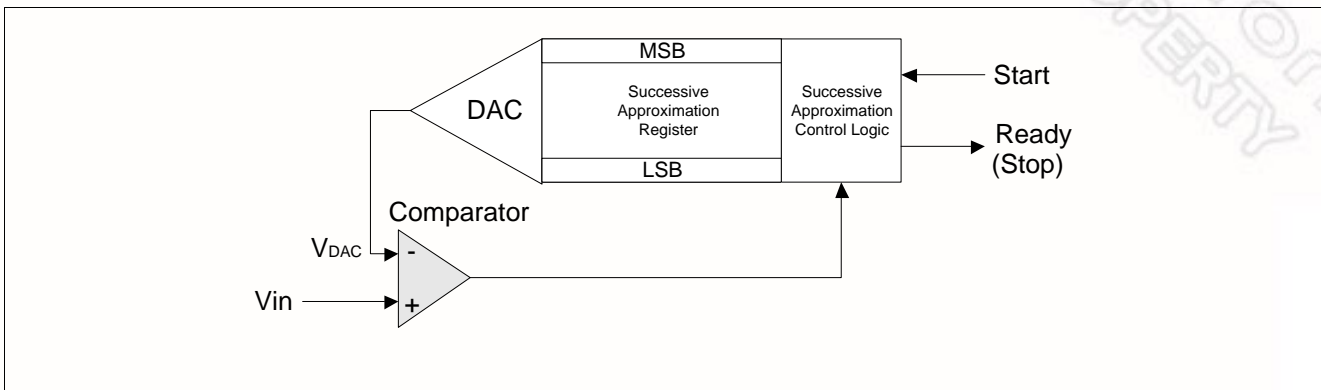


Figure 15-1 Successive Approximation ADC

The ADC circuit has its own supply pins (AV_{DD} and AV_{SS}) and one pins (V_{ref+}) connected to each end of the DAC's resistance-ladder that the AV_{DD} and V_{ref+} are connected to V_{DD} and AV_{SS} is connected to V_{SS} . The ladder has 1023 equally spaced taps, separated by a resistance of "R". The first tap is located $0.5 \times R$ above AV_{SS} , and the last tap is located $0.5 \times R$ below V_{ref+} . This gives a total ladder resistance of $1024 \times R$. This structure ensures that the DAC is monotonic and results in a symmetrical quantization error.

For input voltages between AV_{SS} and $[(V_{ref+}) + \frac{1}{2} \text{ LSB}]$, the 10-bit result of an A/D conversion will be $0000000000B = 000H$. For input voltages between $[(V_{ref+}) - \frac{3}{2} \text{ LSB}]$ and V_{ref+} , the result of a conversion will be $1111111111B = 3FFH$. AV_{ref+} and AV_{SS} may be between $AV_{DD} + 0.2V$ and $AV_{SS} - 0.2V$. AV_{ref+} should be positive with respect to AV_{SS} , and the input voltage (V_{in}) should be between AV_{ref+} and AV_{SS} .

The result can always be calculated according to the following formula:

$$\text{Result} = 1024 \times \frac{V_{in}}{AV_{ref+}} \quad \text{or} \quad \text{Result} = 1024 \times \frac{V_{in}}{V_{DD}}$$

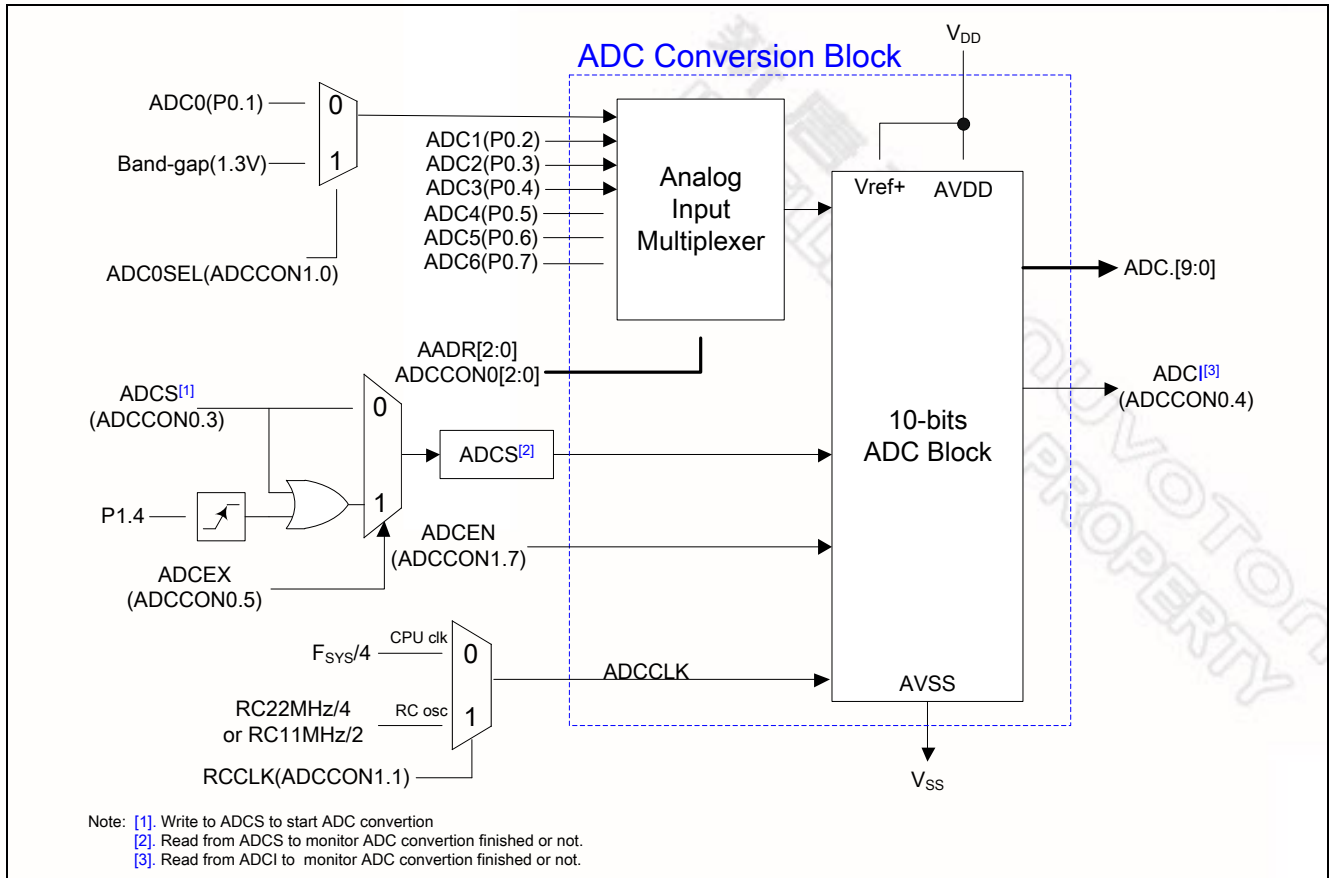


Figure 15-2 ADC Block Diagram



ADCCON0 – ADC Control Register 0

7	6	5	4	3	2	1	0
ADC.1	ADC.0	ADCEX	ADCI	ADCS	AADR2	AADR1	AADR0
R/W	R/W	R/W	R/W	R/W	R/W	R/W	R/W

Address: F8H

Reset value: 0000 0000B

Bit	Name	Description
7	ADC.1	ADC conversion result.
6	ADC.0	ADC conversion result.
5	ADCEX	0 = Disable external start of conversion by P1.4. 1 = Enable external start of conversion by P1.4. The STADC signal at least 1 machine-cycle.
4	ADCI	0 = The ADC is not busy. 1 = The ADC conversion result is ready to be read. An interrupt is invoked if it is enabled. It can not set by software.
3	ADCS	ADC Start and Status: Set this bit to start an A/D conversion. It may be also set by STADC if ADCEX is 1. This signal remains high while the ADC is busy and is reset right after ADCI is set. Notes: It is recommended to clear ADCI <i>before</i> ADCS is set. However, if ADCI is cleared and ADCS is set at the same time, a new A/D conversion may start on the same channel. Software clearing of ADCS will abort conversion in progress. ADC cannot start a new conversion while ADCS or ADCI is high.
2	AADR2	ADC input select.
1	AADR1	ADC input select.
0	AADR0	ADC input select.

ADCI	ADCS	ADC Status
0	0	ADC not busy; A conversion can be started.
0	1	ADC busy; Start of a new conversion is blocked
1	0	Conversion completed; the start of a new conversion requires ADCI = 0
1	1	Conversion completed; the start of a new conversion requires ADCI = 0

If ADC is cleared by software while ADCS is set at the same time, a new A/D conversion with the same channel number may be started. However, it is recommended to reset ADCI before ADCS is set.

AADR2, AADR1, AADR0: ADC Analog Input Channel select bits:

These bits can only be changed when ADCI and ADCS are both zero.

AADR2	AADR1	AADR0	Selected Analog Channel
0	0	0	ADC0 (P0.1)
0	0	1	ADC1 (P0.2)
0	1	0	ADC2 (P0.3)



0	1	1	ADC3 (P0.4)
1	0	0	ADC4 (P0.5)
1	0	1	ADC5 (P0.6)
1	1	0	ADC6 (P0.7)

ADCH – ADC Converter Result Register

7	6	5	4	3	2	1	0
ADC.9	ADC.8	ADC.7	ADC.6	ADC.5	ADC.4	ADC.3	ADC.2
R/W	R/W	R/W	R/W	R/W	R/W	R/W	R/W

Address: E2H

Reset value: 0000 0000B

Bit	Name	Description
7:0	ADCH	ADC conversion result bits [9:2].

ADCCON1 – ADC Control Register

7	6	5	4	3	2	1	0
ADCEN	-	-	-	-	-	RCCLK	ADC0SEL
R/W	-	-	-	-	-	R/W	R/W

Address: E1H

Reset value: 0000 0000B

Bit	Name	Description
7	ADCEN	0 = Disable ADC circuit. 1 = Enable ADC circuit.
6:2	-	Reserved
1	RCCLK	0 = The $F_{SYS}/4$ clock is used as ADC clock. 1 = The internal RC/2 clock is used as ADC clock.
0	ADC0SEL	0 = Select ADC channel 0 as input. 1 = Select Band-gap (~1.3V) as input.

P0DIDS – Port0 Digital Input Disable

7	6	5	4	3	2	1	0
P0DIDS[7:0]							
R/W	R/W	R/W	R/W	R/W	R/W	R/W	R/W

Address: F6H

Reset value: 0000 0000B

Bit	Name	Description
7:0	P0DIDS.x	1 = Disable digital function for each Port0. 0 = Enable digital function for each Port0.



The demo code of ADC channel 0 with clock source = Fsys/4 is as follows:

```

ORG      0000H
LJMP     START

ORG      005BH          ;ADC Interrupt Service Routine
CLR      ADCI          ;Clear ADC flag
reti

START:
ORL      PODIDS,#02H    ; Disable digital function for P0.1
ORL      POM1,#02H     ; ADC0(P0.1) is input-only mode
ANL      POM2,#0FDH
ANL      ADCCON0,#0F8H ;ADC0(P0.1) as ADC Channel
ANL      ADCCON1,#0FDH ;The FSYS/4 clock is used as ADC clock.
SETB     EADC          ;Enable ADC Interrupt
SETB     EA
ORL      ADCCON1,#80H  ;Enable ADC Function

Convert_LOOP:
SETB     ADCS          ;Trigger ADC
ORL      PCON,#01H     ;Enter idle mode
MOV      P0,ADCH       ;Converted Data put in P0 and P1
MOV      P1,ADCL
SJMP     Convert_LOOP

END

```

16 Inter-Integrated Circuit (I²C)

16.1 Features

The Inter-Integrated Circuit (I²C) bus serves as a serial interface between the microcontroller and the I²C devices such as EEPROM, LCD module, and so on. The I²C bus used two wires design (a serial data line SDA and a serial clock line SCL) to transfer information between devices.

The I²C bus uses bidirectional data transfer between masters and slaves. There is no central master and the multi-master system is allowed by arbitration between simultaneously transmitting masters. The serial clock synchronization allows devices with different bit rates to communicate via one serial bus. The I²C bus supports four transfer modes including master transmitter mode, master receiver mode, slave receiver mode, and slave transmitter mode. The I²C interface only supports 7-bit addressing mode and General Call can be accepted. The I²C can meet both standard (up to 100kbps) and fast (up to 400kbps) speeds.

16.2 Functional Description

For the bidirectional transfer operation, the SDA and SCL pins should be connected to open-drain pads. This implements a wired-AND function which is essential to the operation of the interface. A low level on a I²C bus line is generated when one or more I²C devices output a “0”. A high level is generated when all I²C devices output “1”, allowing the pull-up resistors to pull the line high.

In the N79E845/844/8432, the user should set output latches of P1.2 and P1.3. as logic 1 before enabling the I²C function by setting I2CEN (I2CON.6). The P1.2 and P1.3 are configured as the open-drain I/O once the I²C function is enabled. The P1M2 and P1M1 will be also re-configured. The Schmitt trigger input buffer is strongly recommended to be enabled by setting P1S for improved glitch suppression.

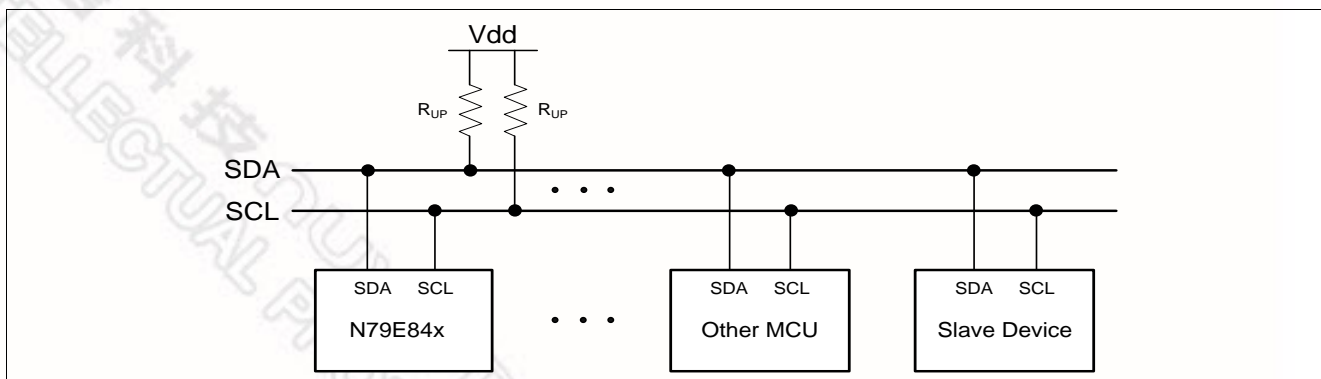


Figure 16-1 I²C Bus Interconnection

The I^2C is considered free when both lines are high. Meanwhile, any device which can operate as a master can occupy the bus and generate one transfer after generating a START condition. The bus now is considered busy before the transfer ends by sending a STOP condition. The master generates all of the serial clock pulses and the START and STOP condition. However if there is no START condition on the bus, all devices serve as not addressed slave. The hardware looks for its own slave address or a General Call address. (The General Call address detection may be enabled or disabled by GC (I2ADDR.0).) If the matched address is received, an interrupt is requested.

Every transaction on the I^2C bus is 9 bits long, consisting of 8 data bits (MSB first) and a single acknowledge bit. The number of bytes per transfer (defined as the time between a valid START and STOP condition) is unrestricted but each byte has to be followed by an acknowledge bit. The master device generates 8 clock pulse to send the 8-bit data. After the 8th falling edge of the SCL line, the device outputting data on the SDA changes that pin to an input and reads in an acknowledge value on the 9th clock pulse. After 9th clock pulse, the data receiving device can hold SCL line stretched low if next receiving is not prepared ready. It forces the next byte transaction suspended. The data transaction continues when the receiver releases the SCL line.

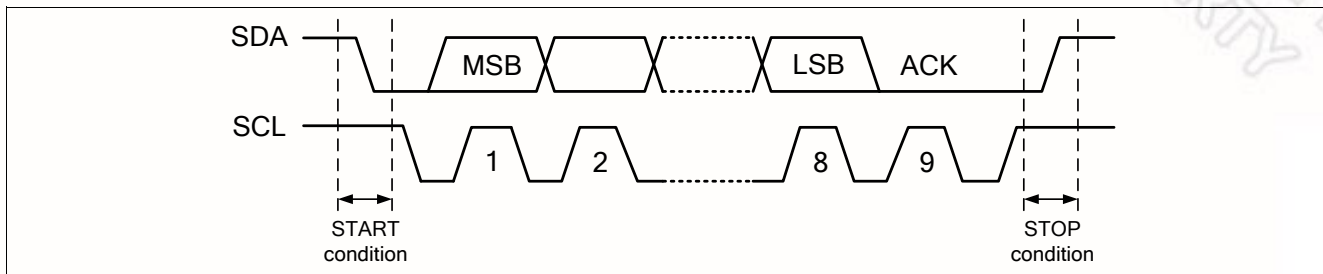


Figure 16-2 I^2C Bus Protocol

16.2.1 START and STOP Conditions

The protocol of the I^2C bus defines two states to begin and end a transfer, START (S) and STOP (P) conditions. A START condition is defined as a high-to-low transition on the SDA line while SCL line is high. The STOP condition is defined as a low-to-high transition on the SDA line while SCL line is high. A START or a STOP condition is always generated by the master and I^2C bus is considered busy after a START condition and free after a STOP condition. After issuing the STOP condition successful, the original master device will release the control authority and turn back as a not addressed slave. Consequently, the original addressed slave will become a not addressed slave. The I^2C bus is free and listens to next START condition of next transfer.

A data transfer is always terminated by a STOP condition generated by the master. However, if a master still wishes to communicate on the bus, it can generate a repeated START (Sr) condition and address the previous or another slave without first generating a STOP condition. Various combinations of read/write formats are then possible within such a transfer.

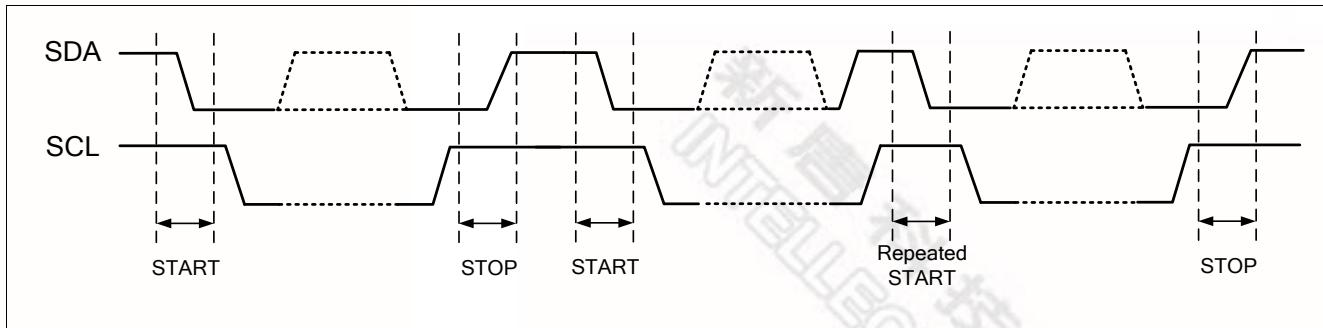


Figure 16–3 START, Repeated START, and STOP Conditions

16.2.2 7-bit Address with Data Format

Following the START condition is generated, one byte of special data should be transmitted by the master. It includes a 7-bit long slave address (SLA) following by an 8th bit, which is a data direction bit (R/W), to address the target slave device and determine the direction of data flow. If R/W bit is 0, it indicates that the master will write information to a selected slave, and if this bit is 1, it indicates that the master will read information from the slave. An address packet consisting of a slave address and a read (R) or a write (W) bit is called SLA+R or SLA+W, respectively. A transmission basically consists of a START condition, a SLA+R/W, one or more data packets and a STOP condition. After the specified slave is addressed by SLA+R/W, the second and following 8-bit data bytes issue by the master or the slave devices according to the R/W bit configuration.

There is an exception called “General Call” address which can address all devices by giving the first byte of data all 0. A General Call is used when a master wishes to transmit the same message to several slaves in the system. When this address is used, other devices may respond with an acknowledge or ignore it according to individual software configuration. If a device response the General Call, it operates as like in the slave-receiver mode.

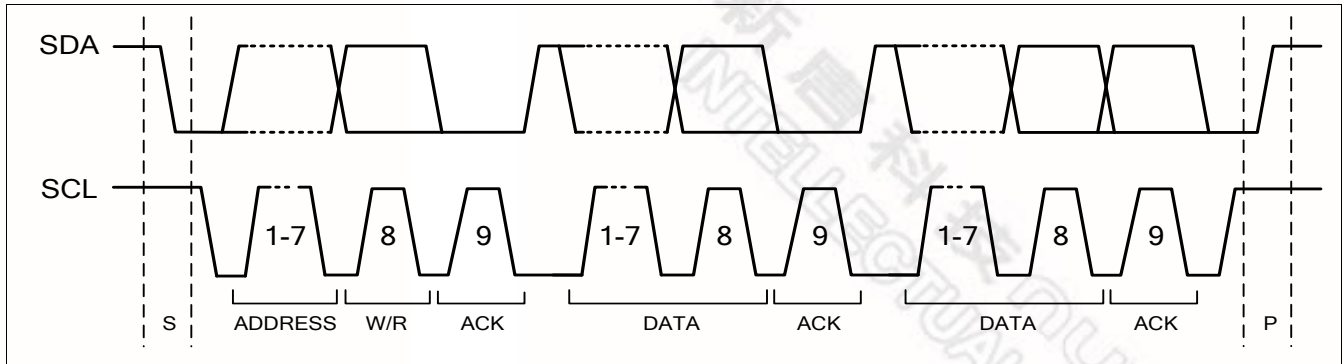


Figure 16-4 Data Format of an I²C Transfer

During the data transaction period, the data on the SDA line should be stable during the high period of the clock, and the data line can only change when SCL is low.

16.2.3 Acknowledge

The 9th SCL pulse for any transferred byte is dedicated as an Acknowledge (ACK). It allows receiving devices (which can be the master or slave) to respond back to the transmitter (which can be also the master or slave) by pulling the SDA line low. The acknowledge-related clock pulse is generated by the master. The transmitter should release control of SDA line during the acknowledge clock pulse. The ACK is an active-low signal, pulling the SDA line low during the clock pulse high duty, indicates to the transmitter that the device has received the transmitted data. Commonly, a receiver which has been addressed is requested to generate an ACK after each byte has been received. When a slave receiver does not acknowledge (NACK) the slave address, the SDA line should be left high by the slave so that the mater can generate a STOP or a repeated START condition.

If a slave-receiver does acknowledge the slave address, it switches itself to not addressed slave mode and cannot receive any more data bytes. This slave leaves the SDA line high. The master should generate a STOP or a repeated START condition.

If a master-receiver is involved in a transfer, because the master controls the number of bytes in the transfer, it should signal the end of data to the slave-transmitter by not generating an acknowledge on the last byte. The slave-transmitter then switches to not addressed mode and release the SDA line to allow the master to generate a STOP or a repeated START condition.

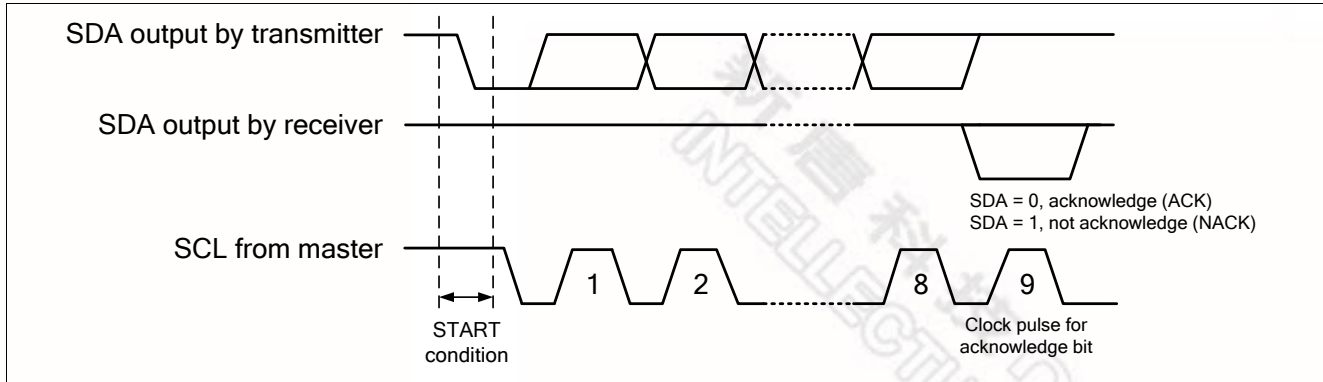


Figure 16-5 Acknowledge Bit

16.2.4 Arbitration

A master may start a transfer only if the bus is free. It is possible for two or more masters to generate a START condition. In these situations, an arbitration scheme takes place on the SDA line, while SCL is high. During arbitration, the first of the competing master devices to place a '1' (high) on SDA while another master transmits a '0' (low) switches off its data output stage because the level on the bus does not match its own level. The arbitration lost master switches to the not addressed slave immediately to detect its own slave address in the same serial transfer whether it is being addressed by the winning master. It also releases SDA line to high level for not affecting the data transfer initiated by the winning master. However, the arbitration lost master continues SCL line to generate the clock pulses until the end of the byte in which it loses the arbitration. If the address matches the losing master's own slave address, it switches to the addressed-slave mode.

Arbitration is carried out by all masters continuously monitoring the SDA line after outputting data. If the value read from the SDA line does not match the value the master had output, it has lost the arbitration. Note that a master can only lose arbitration when it outputs a high SDA value while another master outputs a low value. Arbitration will continue until only one master remains, and this may take many bits. If several masters are trying to address the same slave, arbitration will continue into the data packet.

Arbitration can take place over several bits. Its first stage is a comparison of address bits, and if both masters are trying to address the same device, arbitration continues on to the comparison of data bits or acknowledge bit.

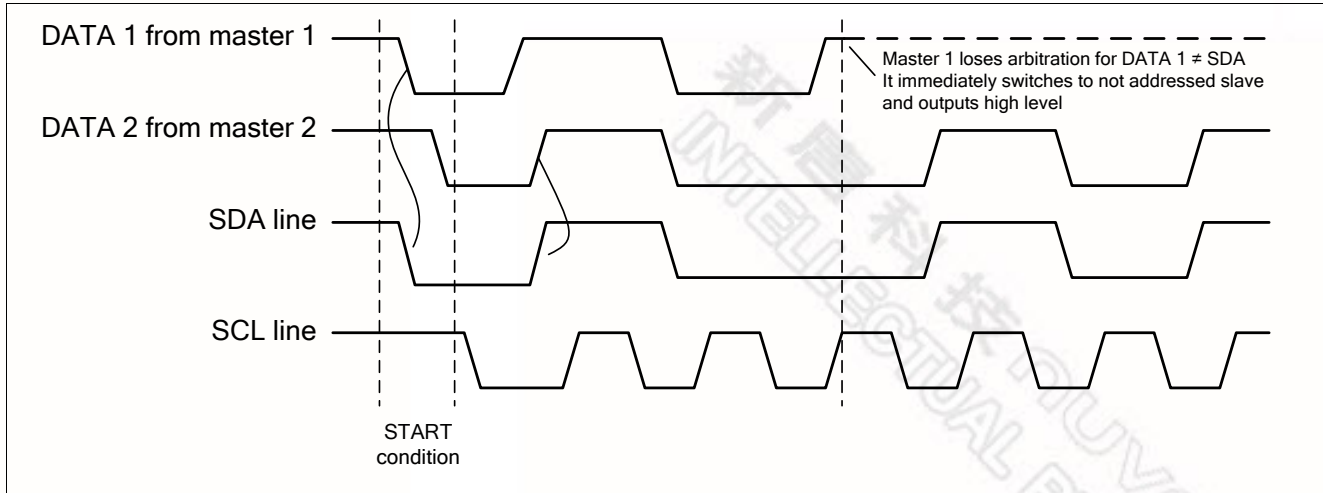


Figure 16-6 Arbitration Procedure of Two Masters

Since the control of I²C bus is decided solely by the address or master code and data sent by competing masters, there is no central master, nor any order of priority on the bus.

Slaves are not involved in the arbitration procedure.

16.3 Control Registers of I²C

There are five control registers to interface the I²C bus. They are I2CON, I2STA, I2DAT, I2ADDR, I2CLK, and I2TMR, which registers provide protocol control, status, data transmit and receive functions, clock rate configuration, and timeout notification. The following registers relate to I²C function.

I2CON – I²C Control

7	6	5	4	3	2	1	0
-	I2CEN	STA	STO	SI	AA	-	-
-	R/W	R/W	R/W	R/W	R/W	-	-

Address: C0H

Reset value: 0000 0000B

Bit	Name	Description
7	-	Reserved
6	I2CEN	I²C Bus Enable 0 = I ² C bus is disabled. 1 = I ² C bus is enabled. Before enabling the I ² C, Px.x and Px.x port latches should be set to logic 1. Once the I ² C bus is enabled, SDA pin (Px.x) and SCL pin (Px.x) will be automatically switched to the open-drain mode. PxM2 and PxM1 registers will be also re-configured accordingly.

Bit	Name	Description
5	STA	<p>START Flag</p> <p>When STA is set, the I²C generates a START condition if the bus is free. If the bus is busy, the I²C waits for a STOP condition and generates a START condition following.</p> <p>If STA is set while the I²C is already in Master mode and one or more bytes have been transmitted or received, the I²C generates a repeated START condition.</p> <p>Note that STA can be set anytime even in a slave mode, but STA is not hardware automatically cleared after START or repeated START condition has been detected. The user should take care of it by clearing STA manually.</p>
4	STO	<p>STOP Flag</p> <p>When STO is set if the I²C is in Master mode, a STOP condition is transmitted to the bus. STO is automatically cleared by hardware once the STOP condition has been detected on the bus.</p> <p>The STO flag setting is also used to recover the I²C device from the bus error state (I2STA as 00H). In this case, no STOP condition is transmitted to the I²C bus.</p> <p>If the STA and STO bits are both set and the device is original in Master mode, the I²C bus will generate a STOP condition and immediately follow a START condition. If the device is in slave mode, STA and STO simultaneous setting should be avoid from issuing illegal I²C frames.</p>
3	SI	<p>Serial Interrupt Flag</p> <p>The SI flag is set by hardware when one of 25 possible I²C status (besides F8H status) is entered. After SI is set, the software should read I2STA register to determine which step has been passed and take actions for next step.</p> <p>SI is cleared by software. Before the SI is cleared, the low period of SCL line is stretched. The transaction is suspended. It is useful for the slave device to deal with previous data bytes until ready for receiving the next byte.</p> <p>The serial transaction is suspended until SI is cleared by software. After SI is cleared, I²C bus will continue to generate START or repeated START condition, STOP condition, 8-bit data, or so on depending on the software configuration of controlling byte or bits. Therefore the user should take care of it by preparing suitable setting of registers before SI is software cleared.</p>
2	AA	<p>Acknowledge Assert Flag</p> <p>If the AA flag is set, an ACK (low level on SDA) will be returned during the acknowledge clock pulse of the SCL line while the I²C device is a receiver which can be a master, an addressed slave, an own-address-matching slave, or a Genera-Call acceptable slave.</p> <p>If the AA flag is cleared, a NACK (high level on SDA) will be returned during the acknowledge clock pulse of the SCL line while the I²C device is a receiver which can be a master, an addressed slave. A device with its own AA flag cleared will ignore its own salve address and the General Call. Consequently, SI will note be asserted and no interrupt is requested.</p> <p>Note that if an addressed slave does not return an ACK under slave receiver mode or not receive an ACK under slave transmitter mode, the slave device will become a not addressed slave. It cannot receive any data until its AA flag is set and a master addresses it again.</p> <p>There is a special case of I2STA value C8H occurs under slave transmitter mode. Before the slave device transmit the last data byte to the master, AA flag can be cleared as 0. Then after the last data byte transmitted, the slave device will actively switch to not addressed slave mode of disconnecting with the master. The further reading of the master will be all FFH.</p>
1:0	-	Reserved



I2STA – I²C Status

7	6	5	4	3	2	1	0
I2STA[7:3]						0	0
R						R	R

Address: BDH

Reset value: 1111 1000B

Bit	Name	Description
7:3	I2STA[7:3]	I²C Status Code The most five bits of I2STA contains the status code. There are 26 possible status codes. When I2STA is F8H, no relevant state information is available and SI flag keeps 0. All other 25 status codes correspond to the I ² C states. When each of the status is entered, SI will be set as logic 1 and an interrupt is requested.
2:0	-	Reserved The least three bits of I2STA are always read as 0.

I2DAT – I²C Data

7	6	5	4	3	2	1	0
I2DAT[7:0]							
R/W							

Address: BCH

Reset value: 0000 0000B

Bit	Name	Description
7:0	I2DAT[7:0]	I²C Data I2DAT contains a byte of the I ² C data to be transmitted or a byte which has just received. Data in I2DAT remains as long as SI is logic 1. The result of reading or writing I2DAT during I ² C transceiving progress is unpredicted. While data in I2DAT is shifted out, data on the bus is simultaneously being shifted in to update I2DAT. I2DAT always shows the last byte that presented on the I ² C bus. Thus the event of lost arbitration, the original value of I2DAT changes after the transaction.

I2ADDR – I²C Own Slave Address

7	6	5	4	3	2	1	0
I2ADDR[7:1]							GC
R/W							R/W

Address: C1H

Reset value: 0000 0000B

Bit	Name	Description
7:1	I2ADDR[7:1]	I²C device's own Slave Address <u>In Master mode:</u> These bits have no effect. <u>In Slave mode:</u> The 7 bits define the slave address of this I ² C device by the user. The master should address this I ² C device by sending the same address in the first byte data after a START or a repeated START condition. If the AA flag is set, this I ² C device will acknowledge the master after receiving its own address and become an addressed slave. Otherwise, the addressing from the master will be ignored.



Bit	Name	Description
0	GC	<p>General Call Bit</p> <p><u>In Master mode:</u> This bit has no effect.</p> <p><u>In Slave mode:</u> 0 = General Call is always ignored. 1 = General Call is recognized if AA flag is 1; otherwise, it is ignored if AA is 0.</p>

I2CLK – I²C Clock

7	6	5	4	3	2	1	0
I2CLK[7:0]							
R/W							

Address: BEH

Reset value: 0000 1110B

Bit	Name	Description
7:0	I2CLK[7:0]	<p>I²C Clock Setting</p> <p><u>In Master mode:</u> This register determines the clock rate of I²C bus when the device is in Master mode. The clock rate follows the formula below.</p> $F_{I^2C} = \frac{F_{PHER1}}{1 + I2CLK}$ <p>The default value will make the clock rate of I²C bus 400kbps if the clock system 24 MHz with DIVM 1/4 mode is used. Note that the I2CLK value of 00H and 01H are not valid. This is an implement limitation.</p> <p><u>In Slave mode:</u> This byte has no effect. In slave mode, the I²C device will automatically synchronize with any given clock rate up to 400kps.</p>

16.4 Operation Modes

In I²C protocol definition, there are four operating modes including master transmitter, master receiver, slave receive, and slave transmitter. There is also a special mode called General Call. Its operation is similar to master transmitter mode.

16.4.1 Master Transmitter Mode

In Master Transmitter mode, several bytes of data are transmitted to a slave receiver. The master should prepare by setting desired clock rate in I2CLK and enabling I²C bus by writing I2CEN (I2CON.6) as logic 1. The master transmitter mode may now be entered by setting STA (I2CON.5) bit as 1. The hardware will test the bus and generate a START condition as soon as the bus becomes free. After a START condition is successfully produced, the SI flag (I2CON.3) will be set and the status code in I2STA show 08H. The progress is continued by loading I2DAT with the target slave address and the data direction bit “write” (SLA+W). The SI bit should then be cleared to commence SLA+W transaction.

After the SLA+W byte has been transmitted and an acknowledge (ACK) has been returned by the addressed slave device, the SI flag is set again and I2STA is read as 18H. The appropriate action to be taken follows the user defined communication protocol by sending data continuously. After all data is transmitted, the master can send a STOP condition by setting STO (I2CON.4) and then clearing SI to terminate the transmission. A repeated START condition can be also generated without sending STOP condition to immediately initial another transmission.

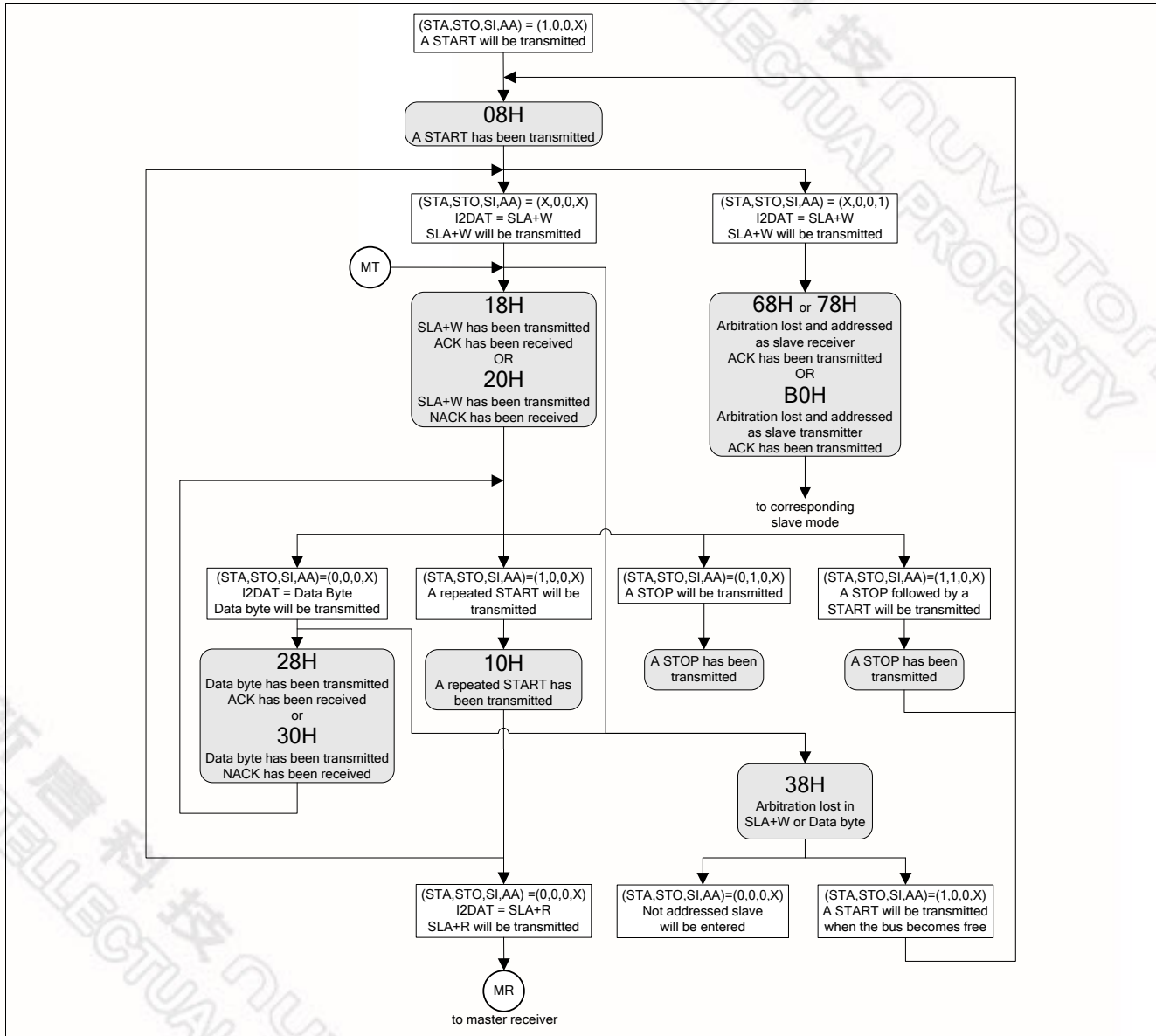


Figure 16-7 Flow and Status of Master Transmitter Mode

16.4.2 Master Receiver Mode

In the master receiver mode, several bytes of data are received from a slave transmitter. The transaction is initialized just as the master transmitter mode. Following the START condition, I2DAT should be loaded with the target slave address

and the data direction bit “read” (SLA+R). After the SLA+R byte is transmitted and an acknowledge bit has been returned, the SI flag is set again and I2STA is read as 40H. SI flag then should be cleared to receive data from the slave transmitter. If AA flag (I2CON.3) is set, the master receiver will acknowledge the slave transmitter. If AA is cleared, the master receiver will not acknowledge the slave and release the slave transmitter as a not addressed slave. After that, the master can generate a STOP condition or a repeated START condition to terminate the transmission or initial another one.

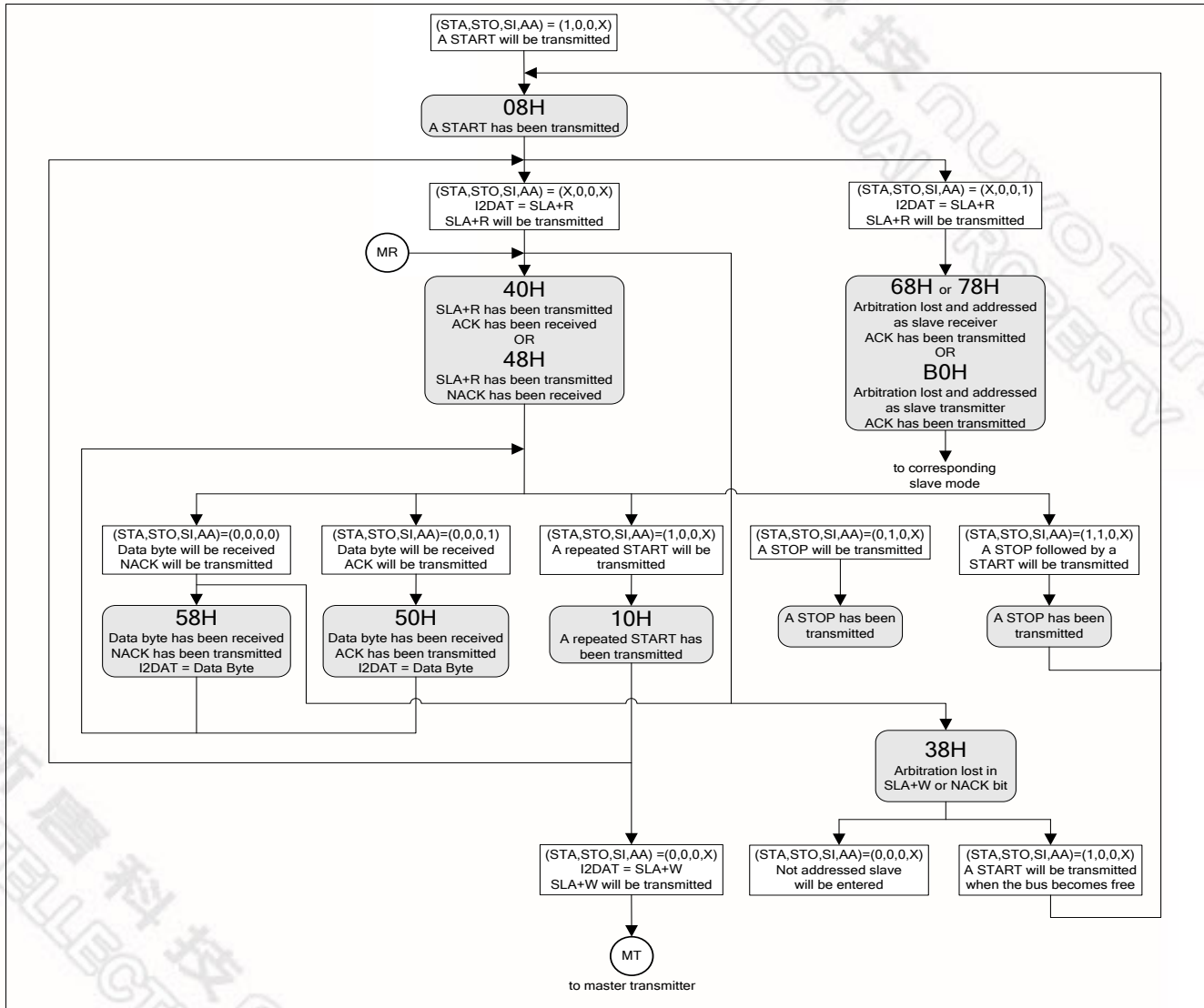


Figure 16–8 Flow and Status of Master Receiver Mode

16.4.3 Slave Receiver Mode

In Slave Receiver mode, several bytes of data are received from a master transmitter. Before a transmission is commenced, I2ADDR should be loaded with the address to which the device will respond when addressed by a master. I2CLK does not affect in slave mode. The AA bit should be set to enable acknowledging its own slave address or General Call.

After the initialization above, the I²C wait until it is addressed by its own address with the data direction bit “write” (SLA+W) or by General Call addressing. The slave receiver mode may also be entered if arbitration is lost.

After the slave is addressed by SLA+W, it should clear its SI flag to receive the data from the master transmitter. If the AA bit is 0 during a transaction, the slave will return a non-acknowledge after the next received data byte. The slave will become not addressed and isolate with the master. It cannot receive any byte of data with I2DAT remaining the previous byte of data which is just received.

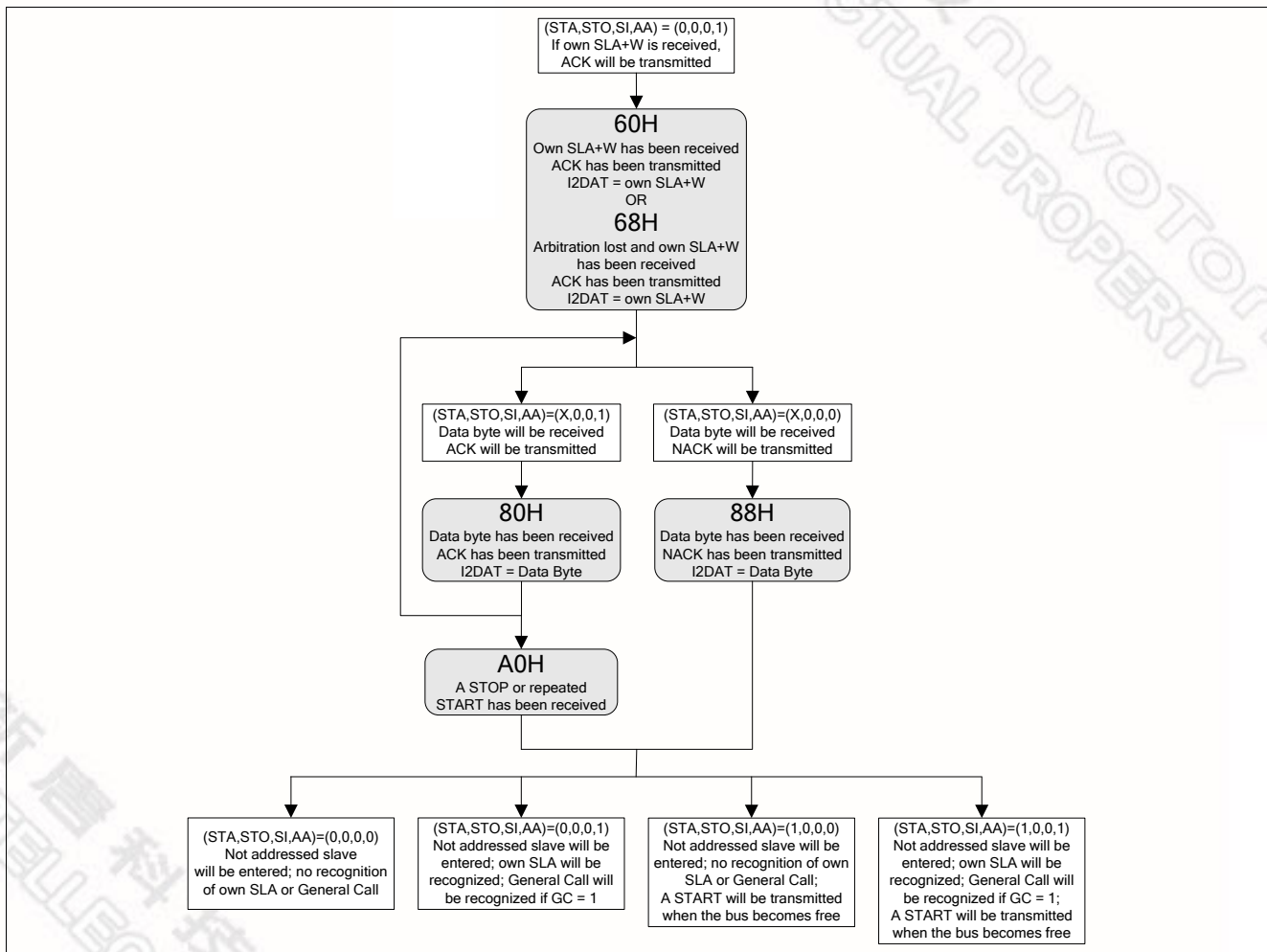


Figure 16-9 Flow and Status of Slave Receiver Mode

16.4.4 Slave Transmitter Mode

In Slave Transmitter mode, several bytes of data are transmitted to a master receiver. After I2ADDR and I2CON values are given, the I²C wait until it is addressed by its own address with the data direction bit “read” (SLA+R). The slave transmitter mode may also be entered if arbitration is lost.

After the slave is addressed by SLA+W, it should clear its SI flag to transmit the data to the master transmitter. Normally the master receiver will return an acknowledge after every byte of data is transmitted by the slave. If the acknowledge is not received, it will transmit all “1” data if it continues the transaction. It becomes a not addressed slave. If the AA flag is cleared during a transaction, the slave transmit the last byte of data. The next transmitting data will be all “1” and the slave becomes not addressed.

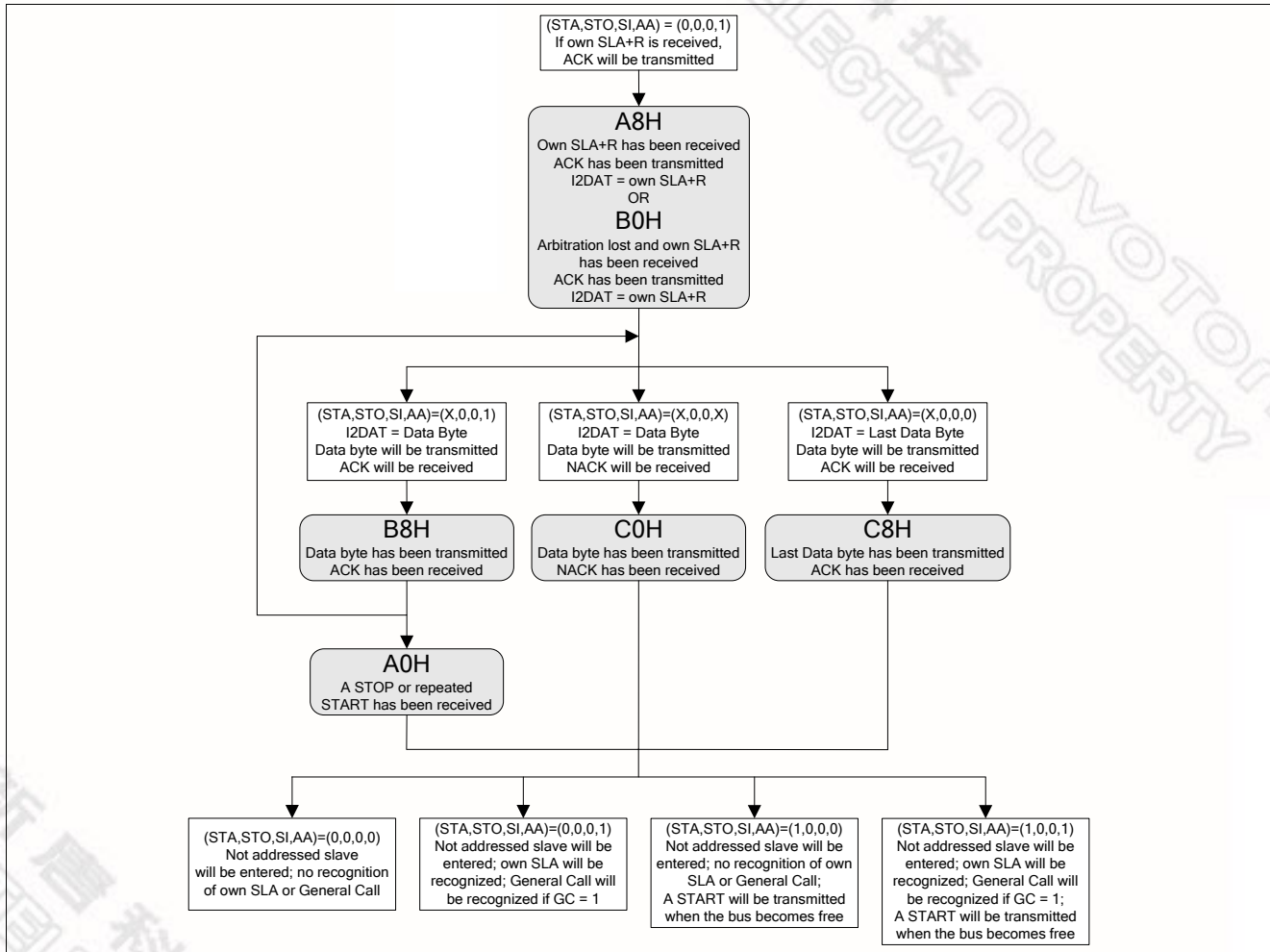


Figure 16–10 Flow and Status of Slave Transmitter Mode

16.4.5 General Call

The General Call is a special condition of slave receiver mode by sending all “0” data in slave address with data direction bit. The slave addressed by a General Call has different status codes in I2STA with normal slave receiver mode. The General Call may be also produced if arbitration is lost.

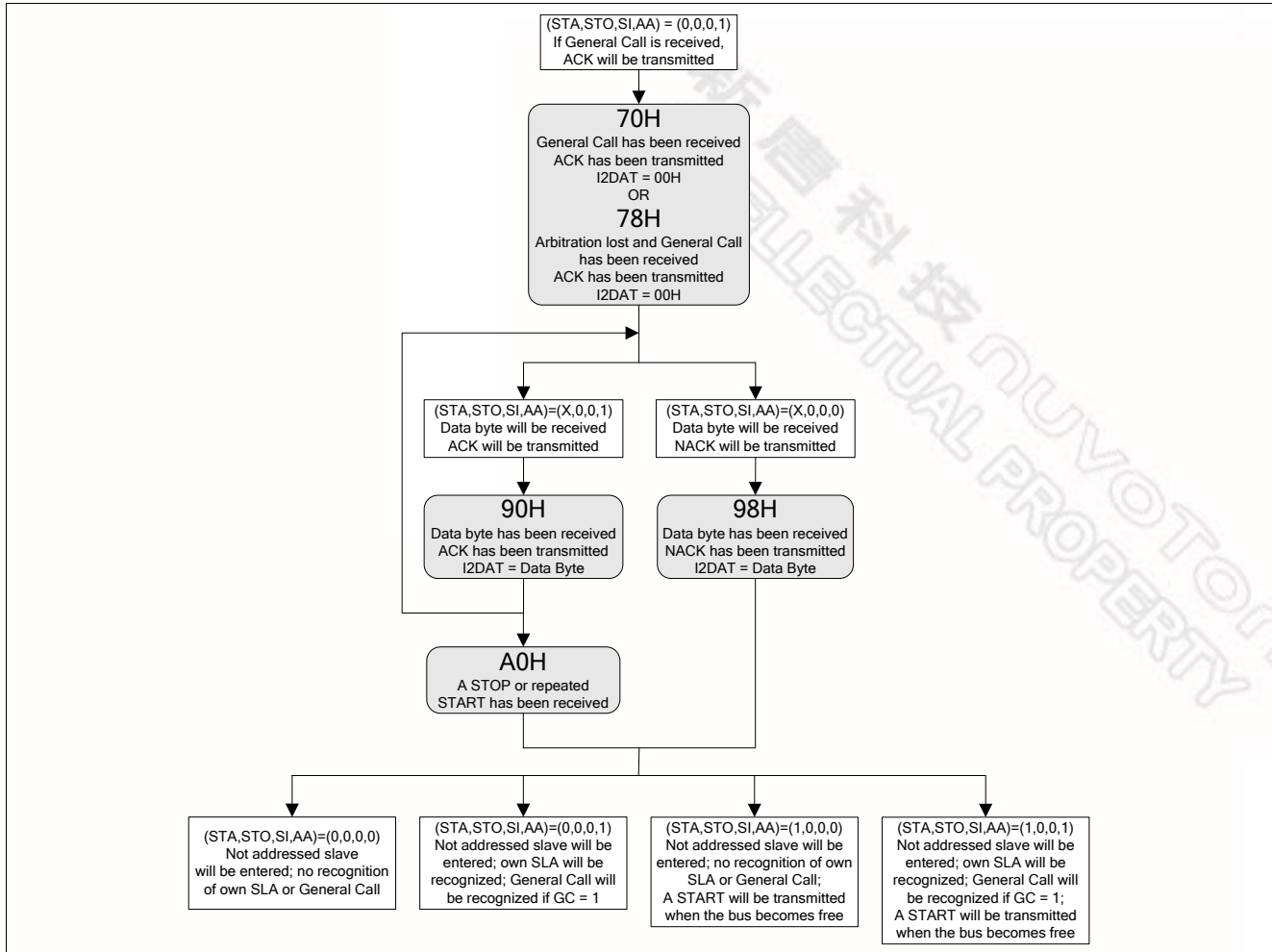


Figure 16–11. Flow and Status of General Call Mode

16.4.6 Miscellaneous States

There are two I2STA status codes that do not correspond to the 24 defined states, which are mentioned in previous sections, which are F8H and 00H states.

The first status code F8H indicates that no relevant information is available during each transaction. Meanwhile, the SI flag is 0 and no I²C interrupt is required.

The other status code 00H means a bus error has occurred during a transaction. A bus error is caused by a START or STOP condition appearing temporarily at an illegal position such as the second through eighth bits in an address byte or a data byte including the acknowledge bit. When a bus error occurs, the SI flag is set immediately. When a bus error is detected on the I²C bus, the operating device immediately switches to the not addressed slave mode, release SDA and SCL lines, sets the SI flag, and loads I2STA 00H. To recover from a bus error, the STO bit should be set as logic 1 and SI



should be cleared. After that, STO is cleared by hardware and release the I²C bus without issuing a real STOP condition waveform.

There is a special case if a START or a repeated START condition is not successfully generated for I²C bus is obstructed by a low level on SDA line e.g. a slave device out of bit synchronization, the problem can be solved by transmitting additional clock pulses on the SCL line. The I²C hardware transmits additional clock pulses when the STA bit is set, but no START condition can be generated because the SDA line is pulled low. When the SDA line is eventually released, a normal START condition is transmitted, state 08H is entered, and the serial transaction continues. If a repeated START condition is transmitted while SDA is obstructed low, the I²C hardware also performs the same action as above. In this case, state 08H is entered instead of 10H after a successful START condition is transmitted. Note that the software is not involved in solving these bus problems.

16.5 Typical Structure of I²C Interrupt Service Routine

The following software example in C language for KEIL C51 compiler shows the typical structure of the I²C interrupt service routine including the 26 state service routines and may be used as a base for user applications. User can follow or modify it for their own application. If one or more of the five modes are not used, the associated state service routines may be removed, but care should be taken that a deleted routine can never be invoked.

```
void I2C_ISR (void) interrupt 6
{
    switch (I2STA)
    {
        //=====
        //Bus Error, always put in ISR for noise handling
        //=====
        case 0x00:                                /*00H, bus error occurs*/
            STO = 1;                               //recover from bus error
            break;
        //=====
        //Master Mode
        //=====
        case 0x08:                                /*08H, a START transmitted*/
            STA = 0;                               //STA bit should be cleared by software
            I2DAT = SLA_ADDR1;                     //LOAD SLA+W/R
            break;
        case 0x10:                                /*10H, a repeated START transmitted*/
            STA = 0;
            I2DAT = SLA_ADDR2;
            break;
        //=====
        //Master Transmitter Mode
        //=====
        case 0x18:                                /*18H, SLA+W transmitted, ACK received*/
            I2DAT = NEXT_SEND_DATA1;              //LOAD DATA
            break;
        case 0x20:                                /*20H, SLA+W transmitted, NACK received*/
            STO = 1;                               //transmit STOP
            AA = 1;                               //ready for ACK own SLA+W/R
    }
}
```



```

        break;
case 0x28:                                /*28H, DATA transmitted, ACK received*/
    if (Conti_TX_Data)                    //if continuing to send DATA
        I2DAT = NEXT_SEND_DATA2;
    else                                   //if no DATA to be sent
    {
        STO = 1;
        AA = 1;
    }
    break;
case 0x30:                                /*30H, DATA transmitted, NACK received*/
    STO = 1;
    AA = 1;
    break;
//=====
//Master Mode
//=====
case 0x38:                                /*38H, arbitration lost*/
    STA = 1;                              //retry to transmit START if bus free
    break;
//=====
//Master Receiver Mode
//=====
case 0x40:                                /*40H, SLA+R transmitted, ACK received*/
    AA = 1;                                //ACK next received DATA
    break;
case 0x48:                                /*48H, SLA+R transmitted, NACK received*/
    STO = 1;
    AA = 1;
    break;
case 0x50:                                /*50H, DATA received, ACK transmitted*/
    DATA_RECEIVED1 = I2DAT;              //store received DATA
    if (To_RX_Last_Data1)                 //if last DATA will be received
        AA = 0;                          //not ACK next received DATA
    else                                   //if continuing receiving DATA
        AA = 1;
    break;
case 0x58:                                /*58H, DATA received, NACK transmitted*/
    DATA_RECEIVED_LAST1 = I2DAT;
    STO = 1;
    AA = 1;
    break;
//=====
//Slave Receiver and General Call Mode
//=====
case 0x60:                                /*60H, own SLA+W received, ACK returned*/
    AA = 1;
    break;
case 0x68:                                /*68H, arbitration lost in SLA+W/R
    own SLA+W received, ACK returned */
    AA = 0;                                //not ACK next received DATA after
    //arbitration lost
    STA = 1;                              //retry to transmit START if bus free
    break;
case 0x70:                                //70H, General Call received, ACK returned
    AA = 1;
    break;
case 0x78:                                /*78H, arbitration lost in SLA+W/R
    General Call received, ACK returned*/
    AA = 0;
    STA = 1;
    break;

```



```

case 0x80:                                     /*80H, previous own SLA+W, DATA received,
                                                ACK returned*/
    DATA_RECEIVED2 = I2DAT;
    if (To_RX_Last_Data2)
        AA = 0;
    else
        AA = 1;
    break;
case 0x88:                                     /*88H, previous own SLA+W, DATA received,
                                                NACK returned, not addressed SLAVE mode
                                                entered*/
    DATA_RECEIVED_LAST2 = I2DAT;
    AA = 1;                                     //wait for ACK next Master addressing
    break;
case 0x90:                                     /*90H, previous General Call, DATA received,
                                                ACK returned*/
    DATA_RECEIVED3 = I2DAT;
    if (To_RX_Last_Data3)
        AA = 0;
    else
        AA = 1;
    break;
case 0x98:                                     /*98H, previous General Call, DATA received,
                                                NACK returned, not addressed SLAVE mode
                                                entered*/
    DATA_RECEIVED_LAST3 = I2DAT;
    AA = 1;
    break;
//=====
//Slave Mode
//=====
case 0xA0:                                     /*A0H, STOP or repeated START received while
                                                still addressed SLAVE mode*/
    AA = 1;
    break;
//=====
//Slave Transmitter Mode
//=====
case 0xA8:                                     /*A8H, own SLA+R received, ACK returned*/
    I2DAT = NEXT_SEND_DATA3;
    AA = 1;                                     //when AA is "1", not last data to be
                                                //transmitted
    break;
case 0xB0:                                     /*B0H, arbitration lost in SLA+W/R
                                                own SLA+R received, ACK returned */
    I2DAT = DUMMY_DATA;
    AA = 0;                                     //when AA is "0", last data to be
                                                //transmitted
    STA = 1;                                    //retry to transmit START if bus free
    break;
case 0xB8:                                     /*B8H, previous own SLA+R, DATA transmitted,
                                                ACK received*/
    I2DAT = NEXT_SEND_DATA4;
    if (To_TX_Last_Data)                       //if last DATA will be transmitted
        AA = 0;
    else
        AA = 1;
    break;
case 0xC0:                                     /*C0H, previous own SLA+R, DATA transmitted,
                                                NACK received, not addressed SLAVE mode
                                                entered*/
    AA = 1;

```

```

        break;
    case 0xC8:
        AA = 1;
        break;
} //end of switch (I2STA)

SI = 0;
while(STO);

} //end of I2C_ISR
    
```

/*C8H, previous own SLA+R, last DATA transmitted, ACK received, not addressed SLAVE mode entered*/

//SI should be the last step of I2C ISR
//wait for STOP transmitted or bus error
//free, STO is cleared by hardware

16.6 I²C Time-out

There is 14-bit time-out counter which can be used to deal with the I²C bus hang-up. If the time-out counter is enabled, the counter starts up counting until it overflows. Meanwhile TIF will be set by hardware and requests I²C interrupt. When time-out counter is enabled, setting flag SI to high will reset counter and restart counting up after SI is cleared. If the I²C bus hangs up, it causes the SI flag not set for a period. The 14-bit time-out counter will overflow and require the interrupt service.

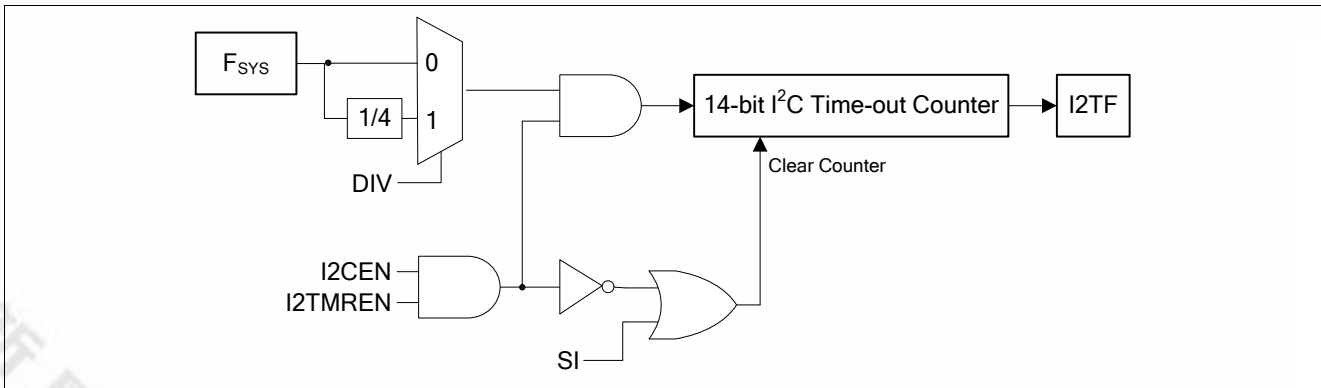


Figure 16-12 I²C Time-out Count

I2TOC – I²C Time-out Counter

7	6	5	4	3	2	1	0
-	-	-	-	-	I2TOCEN	DIV	I2TOF
-	-	-	-	-	R/W	R/W	R/W

Address: BFH

Reset value: 0000 0000B

Bit	Name	Description
7:3	-	Reserved
2	I2TOCEN	I²C Time-out Counter Enable 0 = The I ² C time-out counter is disabled. 1 = The I ² C time-out counter is enabled.

Bit	Name	Description
1	DIV	I²C time-out Counter Clock Divider 0 = The divider of I ² C time-out counter is 1/1 of F _{SYS} . 1 = The divider of I ² C time-out counter is 1/4 of F _{SYS} .
0	I2TOF	I²C Time-out Counter Overflow Flag I2TOF flag is set by hardware if 14-bit I ² C time-out counter overflows. I2TOF flag is cleared by software.

16.7 I²C Interrupts

There are two I²C flags, SI and I2TOF. Both of them can generate an I²C event interrupt requests. If I²C interrupt mask is enabled via setting EI2C (EIE.0) and EA is 1, CPU will executes the I²C interrupt service routine once any of the two flags is set. The user needs to check flags to determine what event caused the interrupt. Both of I²C flags are cleared by software.

17 Pulse Width Modulated (PWM)

17.1 Features

PWM (Pulse Width Modulation) signal is a useful control solution in wide application field. It can be used on motor driving, fan control, backlight brightness tuning, LED light dimming, or simulating as a simple digital to analog converter output through a low pass filter circuit. The N79E845/844/8432 provides four channels, maximum 10-bit PWM output.

17.2 Functional Description

The N79E845/844/8432 contains four Pulse Width Modulated (PWM) channels which generate pulses of programmable length and interval. The output for PWM0 is on P0.1, PWM1 on P1.6, PWM2 on P1.7 and PWM3 on P0.0. After chip reset the internal output of the each PWM channel is a “1”. In this case before the pin will reflect the state of the internal PWM output a “1” should be written to each port bit that serves as a PWM output. A block diagram is shown in [Figure 17-1](#). The interval between successive outputs is controlled by 10-bit down counter which uses configurable internal clock pre-scalar as its input. The PWM counter clock has the frequency as the clock source $F_{PWM} = F_{SYS}/Pre\text{-}scalar$. When the counter reaches underflow it is reloaded with a user selectable value. This mechanism allows the user to set the PWM frequency at any integer sub-multiple of the microcontroller clock frequency. The repetition frequency of the PWM is given by:

$$PWM \text{ frequency} = \frac{F_{PWM}}{1+PWMP}, \quad PWM \text{ active level duty} = \frac{PWMn}{1+PWMP}$$

where PWMP is contained in PWMPH and PWMPL as described in the following.

PWMPL – PWM Counter Low Bits Register

7	6	5	4	3	2	1	0
PWMP.7	PWMP.6	PWMP.5	PWMP.4	PWMP.3	PWMP.2	PWMP.1	PWMP.0
R/W	R/W	R/W	R/W	R/W	R/W	R/W	R/W

Address: D9H

Reset value: 0000 0000B

Bit	Name	Description
7:0	PWMPL	PWM Counter Bits Register bit[7:0].

PWMPH – PWM Counter High Bits Register

7	6	5	4	3	2	1	0
-	-	-	-	-	-	PWMP.9	PWMP.8
-	-	-	-	-	-	R/W	R/W

Address: D1H

Reset value: 0000 0000B

Bit	Name	Description
7:2	-	Reserved



Bit	Name	Description
1:0	PWMPH	PWM Counter Bits Register bit[9:8].

The user should follow the initialization steps below to start generating the PWM signal output. In the first step by setting CLRPWM (PWMCON0.4), it ensures the 10-bit down counter a determined value. After setting all period and duty registers, PWMRUN (PWMCON0.7) can be set as logic 1 to trigger the 10-bit down counter running. In the beginning the PWM output remains high until the counter value is less than the value in duty control registers of PWMnH and PWMnL. At this point the PWM output goes low until the next underflow. When the 10-bit down counter underflows, PWMP buffer register will be reloaded in 10-bit down counter. It continues PWM signal output by repeating this routine.

The hardware for all period and duty control registers is double buffered designed. Therefore the PWMP and PWMn registers can be written to at any time, but the period and duty cycle of PWM will not updated immediately until the Load (PWMCON0.6) is set and previous period is complete. This allows updating the PWM period and duty glitch less operation.

PWM0L – PWM 0 Low Register

7	6	5	4	3	2	1	0
PWM0.7	PWM0.6	PWM0.5	PWM0.4	PWM0.3	PWM0.2	PWM0.1	PWM0.0
R/W	R/W	R/W	R/W	R/W	R/W	R/W	R/W

Address: DAH

Reset value: 0000 0000B

Bit	Name	Description
7:0	PWM0L	PWM 0 Low Bits Register bit[7:0].

PWM0H – PWM 0 High Register

7	6	5	4	3	2	1	0
-	-	-	-	-	-	PWM0.9	PWM0.8
-	-	-	-	-	-	R/W	R/W

Address: D2H

Reset value: 0000 0000B

Bit	Name	Description
7:2	-	Reserved
1:0	PWM0H	PWM 0 High Bits Register bit[9:8].

PWM1L – PWM 1 Low Register

7	6	5	4	3	2	1	0
PWM1.7	PWM1.6	PWM1.5	PWM1.4	PWM1.3	PWM1.2	PWM1.1	PWM1.0
R/W	R/W	R/W	R/W	R/W	R/W	R/W	R/W

Address: DBH

Reset value: 0000 0000B

Bit	Name	Description
7:0	PWM1L	PWM 0 Low Bits Register bit[7:0].

**PWM1H – PWM 1 High Register**

7	6	5	4	3	2	1	0
-	-	-	-	-	-	PWM1.9	PWM1.8
-	-	-	-	-	-	R/W	R/W

Address: D3H

Reset value: 0000 0000B

Bit	Name	Description
7:2	-	Reserved
1:0	PWM1H	PWM 1 High Bits Register bit[9:8].

PWM2L – PWM 2 Low Register

7	6	5	4	3	2	1	0
PWM2.7	PWM2.6	PWM2.5	PWM2.4	PWM2.3	PWM2.2	PWM2.1	PWM2.0
R/W	R/W	R/W	R/W	R/W	R/W	R/W	R/W

Address: DDH

Reset value: 0000 0000B

Bit	Name	Description
7:0	PWM2L	PWM 2 Low Bits Register bit[7:0].

PWM2H – PWM 2 High Register

7	6	5	4	3	2	1	0
-	-	-	-	-	-	PWM2.9	PWM2.8
-	-	-	-	-	-	R/W	R/W

Address: D5H

Reset value: 0000 0000B

Bit	Name	Description
7:2	-	Reserved
1:0	PWM2H	PWM 2 High Bits Register bit[9:8].

PWM3L – PWM 3 Low Register

7	6	5	4	3	2	1	0
PWM3.7	PWM3.6	PWM3.5	PWM3.4	PWM3.3	PWM3.2	PWM3.1	PWM3.0
R/W	R/W	R/W	R/W	R/W	R/W	R/W	R/W

Address: DEH

Reset value: 0000 0000B

Bit	Name	Description
7:0	PWM3L	PWM 0 Low Bits Register bit[7:0].

PWM3H – PWM 3 High Register

7	6	5	4	3	2	1	0
-	-	-	-	-	-	PWM3.9	PWM3.8
-	-	-	-	-	-	R/W	R/W

Address: D6H

Reset value: 0000 0000B

Bit	Name	Description
7:2	-	Reserved

Bit	Name	Description
1:0	PWM3H	PWM 3 High Bits Register bit[9:8].

新唐科技 NUVOTON
INTELLECTUAL PROPERTY

新唐科技 NUVOTON
INTELLECTUAL PROPERTY

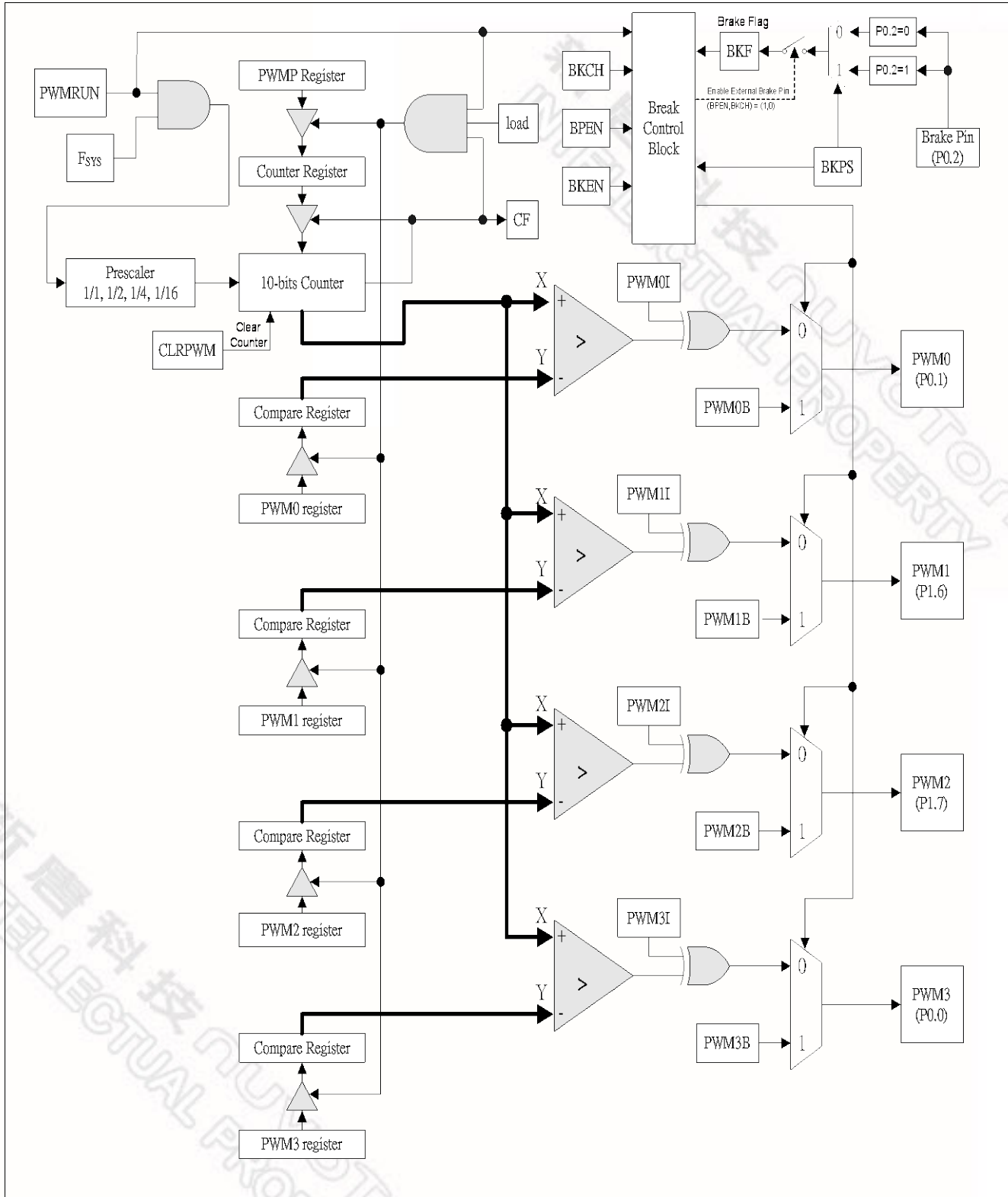


Figure 17-1 PWM Block Diagram



A compare value greater than the counter reloaded value is in the PWM output being permanently low. In addition there are two special cases. A compare value of all zeroes, 000H, causes the output to remain permanently high. A compare value of all ones, 3FFH, results in the PWM output remaining permanently low. Again the compare value is loaded into a Compare register. The transfer from this holding register to the actual Compare register is under program control. The register assignments are shown below where the number immediately following “PWMn” identifies the PWM output. Therefore, the PWM0 controls the width of PWM0, PWM1 the width of PWM1 etc.

The overall functioning of the PWM module is controlled by the contents of the PWMCON0 register. The operation of most of the control bits is straightforward. For example, there is an invert bit for each output which causes results in the output to have the opposite value compared to its non-inverted output. The transfer of the data from the Counter and Compare registers to the control registers is controlled by the PWMCON0.6 (LOAD) while PWMCON0.7 (PWMRUN) allows the PWM to be either in the run or idle state. The user can monitor when underflow causes the transfer to occur by monitoring the Transfer bit PWCON1.6 (Load) or PWMCON0.5 (CF flag). Note that CF does not assert interrupt. When the transfer takes place the PWM logic automatically resets those bits by the next clock cycle.

A loading of new period and duty by setting Load should be ensured complete by monitoring it and waiting for a hardware automatic clearing Load bit. Any updating of PWM control registers during Load bit as logic 1 will cause unpredictable output.

PWMCON0 – PWM Control Register 0

7	6	5	4	3	2	1	0
PWMRUN	Load	CF	CLRPWM	PWM3I	PWM2I	PWM1I	PWM0I
R/W	R/W	R/W	R/W	R/W	R/W	R/W	R/W

Address: DCH

Reset value: 0000 0000B

Bit	Name	Description
7	PWMRUN	0 = PWM is not running. 1 = PWM counter is running.
6	Load	0 = The registers value of PWMP and Comparators are never loaded to counter and Comparator registers. 1 = The PWMP register will be LOAD value to counter register after counter underflow, and hardware will clear by next clock cycle.
5	CF	10-bit counter overflow flag: 0 = 10-bit counter down count is not underflow. 1 = 10-bit counter down count is underflow.
4	CLRPWM	1 = Clear 10-bit PWM counter to 000H.
3	PWM3I	0 = PWM3 output is non-inverted. 1 = PWM3 output is inverted.
2	PWM2I	0 = PWM2 output is non-inverted. 1 = PWM2 output is inverted.



Bit	Name	Description
1	PWM1I	0 = PWM1 output is non-inverted. 1 = PWM1 output is inverted.
0	PWM0I	0 = PWM0 output is non-inverted. 1 = PWM0 output is inverted.

The fact that the transfer from the Counter and PWMn register to the working registers(10-bit Counter and Compare register) only occurs when there is an underflow in the counter results in the need for the user's program to observe the following precautions. If PWMCON0 is written with Load set without Run being enabled the transfer will never take place. Thus if a subsequent write sets Run without Load the compare and counter values will not be those expected. If Load and Run are set, and prior to underflow there is a subsequent LOAD of PWMCON0 which sets Run but not Load, the LOAD will never take place. Again the compare and counter values that existed prior to the update attempt will be used.

As outlined above the Load bit can be polled to determine when the LOAD occurs. Unless there is a compelling reason to do otherwise, it is recommended that both PWMRUN (PWMCON0.7), and Load (PWMCON0.6) be set when PWMCON0 is written.

When the PWMRUN bit, PWMCON0.7 is cleared the PWM outputs take on the state they had just prior to the bit being cleared. In general, this state is not known. To place the outputs in a known state when PWMRUN is cleared the Compare registers can be written to either the "always 1" or "always 0" so the output will have the output desired when the counter is halted. After this PWMCON0 should be written with the Load and Run bits are enabled. After this is done PWMCON0 to be polled to find that the Load or CF flag has taken place. Once the LOAD has occurred the Run bit in PWMCON0 can be cleared. The outputs will retain the state they had just prior to the Run being cleared. If the Brake pin (see discussion below in section concerning the operation of PWMCON1) is not used to control the brake function, the "Brake when not running" function can be used to cause the outputs to have a given state when the PWM is halted. This approach should be used only in time critical situations when there is not sufficient time to use the approach outlined above since going from the Brake state to run without causing an undefined state on the outputs is not straightforward. A discussion on this topic is included in the PWMCON1 section.

PWMCON1 – PWM Control Register 1

7	6	5	4	3	2	1	0
BKCH	BKPS	BPEN	BKEN	PWM3B	PWM2B	PWM1B	PWM0B
R/W	R/W	R/W	R/W	R/W	R/W	R/W	R/W

Address: DFH

Reset value: 0000 0000B

Bit	Name	Description
7	BKCH	See the following table (when BKEN is set).
6	BKPS	0 = Brake is asserted if P0.2 is low. 1 = Brake is asserted if P0.2 is high
5	BPEN	See the following table (when BKEN is set).

Bit	Name	Description
4	BKEN	0 = Brake is never asserted. 1 = Brake is enabled, and see the following table.
3	PWM3B	0 = PWM3 output is low, when Brake is asserted. 1 = PWM3 output is high, when Brake is asserted.
2	PWM2B	0 = PWM2 output is low, when Brake is asserted. 1 = PWM2 output is high, when Brake is asserted.
1	PWM1B	0 = PWM1 output is low, when Brake is asserted. 1 = PWM1 output is high, when Brake is asserted.
0	PWM0B	0 = PWM0 output is low, when Brake is asserted. 1 = PWM0 output is high, when Brake is asserted.

Brake Condition Table

BPEN	BKCH	BREAK CONDITION
0	0	Brake on (software brake and keeping brake)
0	1	On, when PWM is not running (PWMRUN=0), the PWM output condition is follow PWMNB setting. Off, when PWM is running (PWMRUN=1).
1	0	Brake on, when break pin asserted, no PWM output, the bit of PWMRUN will be cleared and BKF flag will be set. The PWM output condition is follow PWMNB setting.
1	1	No active.

PWMCON2 – PWM Control Register 2

7	6	5	4	3	2	1	0
-	-	-	-	FP1	FP0	-	BKF
-	-	-	-	R/W	R/W	-	R/W

Address: D7H

Reset value: 0000 0000B

Bit	Name	Description										
7:4	-	Reserved										
3:2	FP[1:0]	Select PWM frequency pre-scalar select bits. The clock source of pre-scalar, F _{pwm} is in phase with F _{sys} if PWMRUN=1. <table border="1" data-bbox="701 1654 1019 1873" style="margin-left: auto; margin-right: auto;"> <thead> <tr> <th>FP[1:0]</th> <th>F_{pwm}</th> </tr> </thead> <tbody> <tr> <td>00</td> <td>F_{sys} (Default)</td> </tr> <tr> <td>01</td> <td>F_{sys} /2</td> </tr> <tr> <td>10</td> <td>F_{sys} /4</td> </tr> <tr> <td>11</td> <td>F_{sys} /16</td> </tr> </tbody> </table>	FP[1:0]	F _{pwm}	00	F _{sys} (Default)	01	F _{sys} /2	10	F _{sys} /4	11	F _{sys} /16
FP[1:0]	F _{pwm}											
00	F _{sys} (Default)											
01	F _{sys} /2											
10	F _{sys} /4											
11	F _{sys} /16											
1	-	Reserved										

Bit	Name	Description
0	BKF	External Brake Pin Flag 0 = PWM is not brake. 1 = PWM is brake by external brake pin. It will be cleared by software.

The Brake function, which is controlled by the contents of the PWMCON1 register, is somewhat unique. In general when Brake is asserted the four PWM outputs are forced to a user selected state, namely the state selected by PWMCON1 bits 0 to 3. As shown in the description of the operation of the PWMCON1 register if PWMCON1.4 is a “1” brake is asserted under the control PWMCON1.7, BKCH, and PWMCON1.5, BPEN. As shown if both are a “0” Brake is asserted. If PWMCON1.7 is a “1” brake is asserted when the run bit, PWMCON0.7, is a “0.” If PWMCON1.6 is a “1” brake is asserted when the Brake Pin, P0.2, has the same polarity as PWMCON1.6. When brake is asserted in response to this pin the RUN bit, PWMCON0.7, is automatically cleared and BKF(PWMCON2.0) flag will be set. The combination of both PWMCON1.7 and PWMCON1.5 being a “1” is not allowed.

Since the Brake Pin being asserted will automatically clear the Run bit of PWMCON0.7 and BKF(PWMCON2.0) flag will be set, the user program can poll this bit or enable PWM’s brake interrupt to determine when the Brake Pin causes a brake to occur. The other method for detecting a brake caused by the Brake Pin would be to tie the Brake Pin to one of the external interrupt pins. This latter approach is needed if the Brake signal can be of insufficient length to ensure that it can be captured by a polling routine. When, after being asserted, the condition causing the brake is removed, the PWM outputs go to whatever state that had immediately prior to the brake. This means that to go from brake being asserted to having the PWM run without going through an indeterminate state care should be taken. If the Brake Pin causes brake to be asserted the following prototype code will allow the PWM to go from brake to run smoothly by software polling BKF flag or enable PWM’s interrupt.

Note that if a narrow pulse on the Brake Pin causes brake to be asserted, it may not be possible to go through the above code before the end of the pulse. In this case, in addition to the code shown, an external latch on the Brake Pin may be required to ensure that there is a smooth transition in going from brake to run.



PWM demo code is as follows:

```

ORG      0H
SJMP    START
ORG      100H
START:
MOV     PWMPH,#0           ;PWM Frequency = Fsys/(1+PWMP)
MOV     PWMPL,#0FFH       ;If Fsys=20MHz, PWM Frequency=78.1kHz
MOV     PWM0H,#0
MOV     PWM0L,#080H       ;PWM0(P0.1) duty = PWM0/(1+PWMP)
MOV     PWM1H,#0
MOV     PWM1L,#0A0H       ;PWM1(P1.6) duty = PWM1/(1+PWMP)
MOV     PWM2H,#0
MOV     PWM2L,#0C0H       ;PWM2(P1.7) duty = PWM2/(1+PWMP)
MOV     PWM3H,#0
MOV     PWM3L,#0F0H       ;PWM3(P0.0) duty = PWM3/(1+PWMP)

ORL     PWMCON0,#0D0H     ;Start PWM

MOV     PWMCON1,#30H      ;PWM will be stopped when P0.2 is low level.
                                ;PWM output condition is follow PWMNB setting.
                                ;In this case, PWM0B=PWM1B=PWM2B=PWM3B=0

END

```

18 Timed Access Protection(TA)

The N79E845/844/8432 has several features like the Watchdog Timer, the ISP function, Boot select control, etc. are crucial to proper operation of the system. If leaving these control registers unprotected, errant code may write undetermined value into them, it results in incorrect operation and loss of control. To prevent this risk, the N79E845/844/8432 has a protection scheme which limits the write access to critical SFRs. This protection scheme is done using a timed access. The following registers are related to TA process.

TA – Timed Access

7	6	5	4	3	2	1	0
TA[7:0]							
W							

Address: C7H

Reset value: 1111 1111B

Bit	Name	Description
7:0	TA[7:0]	<p>Timed Access</p> <p>The timed access register controls the access to protected SFRs. To access protected bits, the user should first write AAH to the TA and immediately followed by a write of 55H to TA. After the two steps, a writing permission window is opened for three machine-cycles during which the user may write to protected SFRs.</p>

In timed access method, the bits, which are protected, have a timed write enable window. A write is successful only if this window is active, otherwise the write will be discarded. When the software writes AAH to TA, a counter is started. This counter waits for three machine-cycles looking for a write of 55H to TA. If the second write of 55H occurs within three machine-cycles of the first write of AAH, then the timed access window is opened. It remains open for three machine-cycles during which the user may write to the protected bits. After three machine-cycles, this window automatically closes. Once the window closes, the procedure should be repeated to access the other protected bits. Not that the TA protected SFRs are required timed access for writing. However, the reading is not protected. The user may read TA protected SFR without giving AAH and 55H to TA. The suggestion code for opening the timed access window is shown below.

```

(CLR  EA)                ;if any interrupt is enabled, disable temporarily
MOV   TA, #0AAH
MOV   TA, #55H
(Instruction that writes a TA protected register)
(SETB EA)                ;resume interrupts enabled

```

The writes of AAH and 55H should occur within 3 machine-cycles of each other. Interrupts should be disabled during this procedure to avoid delay between these two writes. If the is no interrupt enabled, the CLR EA and SETB EA instructions can be left out. Once the timed access window closes, the procedure should be repeated to access the other protected bits.

Examples of timed assessing are shown to illustrate correct or incorrect writing processes.

Example 1,



```

(CLR  EA)                ;if any interrupt is enabled, disable temporarily
MOV  TA,#0AAH           ;2 machine-cycles.
MOV  TA,#55H            ;2 machine-cycles.
ORL  CHPCON,#data      ;2 machine-cycles.
(SETB EA)              ;resume interrupts enabled

```

Example 2,

```

(CLR  EA)                ;if any interrupt is enabled, disable temporarily
MOV  TA,#0AAH           ;2 machine-cycles.
MOV  TA,#55H            ;2 machine-cycles.
NOP                      ;1 machine-cycle.
NOP                      ;1 machine-cycle.
ANL  ISPTRG,#data      ;2 machine-cycles.
(SETB EA)              ;resume interrupts enabled

```

Example 3,

```

(CLR  EA)                ;if any interrupt is enabled, disable temporarily
MOV  TA,#0AAH           ;2 machine-cycles.
NOP                      ;1 machine-cycle.
MOV  TA,#55H            ;2 machine-cycles.
MOV  WDCON0,#data1     ;2 machine-cycles.
ORL  PMCR,#data2       ;2 machine-cycles.
(SETB EA)              ;resume interrupts enabled

```

Example 4,

```

(CLR  EA)                ;if any interrupt is enabled, disable temporarily
MOV  TA,#0AAH           ;2 machine-cycles.
NOP                      ;1 machine-cycle.
NOP                      ;1 machine-cycle.
MOV  TA,#55H            ;2 machine-cycles.
ANL  WDCON0,#data     ;2 machine-cycles.
(SETB EA)              ;resume interrupts enabled

```

In the first example, the writing to the protected bits is done before the three machine-cycle window closes. In example 2, however, the writing to ISPTRG does not complete during the window opening, there will be no change of the value of ISPTRG. In example 3, the WDCON0 is successful written but the PMCR access is out of the three machine-cycle window. Therefore PMCR value will not change either. In Example 4, the second write 55H to TA completes after three machine-cycles of the first write TA of AAH, therefore the timed access window is not opened at all, and the write to the protected bit fails.

In the N79E845/844/8432, the TA protected SFRs include PMCR(A3H), CHPCON (9FH), ISPTRG (A4H), SHBDA (9CH), WDCON0 (D8H), and WDCON1 (ABH).

19 Interrupt System

The N79E845/844/8432 has four priority level of interrupts structure with 14 interrupt sources. Each of the interrupt sources has an individual priority bit, flag, interrupt vector and enable bit. In addition, the interrupts can be globally enabled or disabled.

19.1 Interrupt Sources

The External Interrupts $\overline{\text{INT0}}$ and $\overline{\text{INT1}}$ can be either edge triggered or level triggered, depending on bits IT0 and IT1. The bits IE0 and IE1 in the TCON register are the flags which are checked to generate the interrupt. In the edge triggered mode, the INTx inputs are sampled in every machine-cycle. If the sample is high in one cycle and low in the next, then a high to low transition is detected and the interrupts request flag IEx in TCON is set. The flag bit requests the interrupt. Since the external interrupts are sampled every machine-cycle, they have to be held high or low for at least one complete machine-cycle. The IEx flag is automatically cleared when the service routine is called. If the level triggered mode is selected, then the requesting source has to hold the pin low till the interrupt is serviced. The IEx flag will not be cleared by the hardware on entering the service routine. If the interrupt continues to be held low even after the service routine is completed, then the processor may acknowledge another interrupt request from the same source.

The Timer 0 and 1 Interrupts are generated by the TF0 and TF1 flags, which flags are set by the overflow in the Timer 0 and Timer 1. The TF0 and TF1 flags are automatically cleared by the hardware when the timer interrupt is serviced.

The Watchdog timer can be used as a system monitor or a simple timer. In either case, when the timeout count is reached, the Watchdog Timer interrupt flag WDTRF (WDCON0.3) is set. If the interrupt is enabled by the enable bit EIE.4, then an interrupt will occur.

The Serial block can generate interrupt on reception or transmission. There are two interrupt sources from the Serial block, which are obtained by the RI and TI bits in the SCON SFR, which bits are not automatically cleared by the hardware, and the user will have to clear these bits using software.

I²C will generate an interrupt due to a new SIO state present in I2STA register, if both EA and ES bits (in IE register) are both enabled.

SPI asserts interrupt flag, SPIF, upon completion of data transfer with an external device. If SPI interrupt is enabled (ESPI at EIE.6), a serial peripheral interrupt is generated. SPIF flag is software clear, by writing 0. MODF and SPIOVF will also generate interrupt if occur. They share the same vector address as SPIF.

The ADC can generate interrupt after finished ADC converter. There is one interrupt source, which is obtained by the ADCI bit in the ADCCON0 SFR. This bit is not automatically cleared by the hardware, and the user will have to clear this bit using software.

PWM brake interrupt flag BKF is generated if P0.2 (Brake pin) detects a high (BKPS=1) or low (BKPS=0) at port pin. At this moment, BKF (PWMCON2.0) is set by hardware and it should be cleared by software. PWM period interrupt flag CF is set by hardware when its' 10-bit down counter underflow and is only cleared by software. BKF is set the PWM interrupt is requested If PWM interrupt is enabled (EPWM=1).

Keyboard interrupt is generated when any of the keypad connected to P0 pins detects a low-level or edge changed at port pin. Each keypad interrupt can be individually enabled or disabled. The KBI flag (KBIF[7:0]) should be cleared by software.

POR detect can cause POF flag, BOF, to be asserted if power voltage drop below BOD voltage level. Interrupt will occur if EBOD (IE.5) and global interrupt enable (EA) are set.

All the bits that generate interrupts can be set or reset by software, and thereby software initiated interrupts can be generated. Each of the individual interrupts can be enabled or disabled by setting or clearing a bit in the IE SFR. IE also has a global enable/disable bit EA, in which can be cleared to disable all the interrupts.

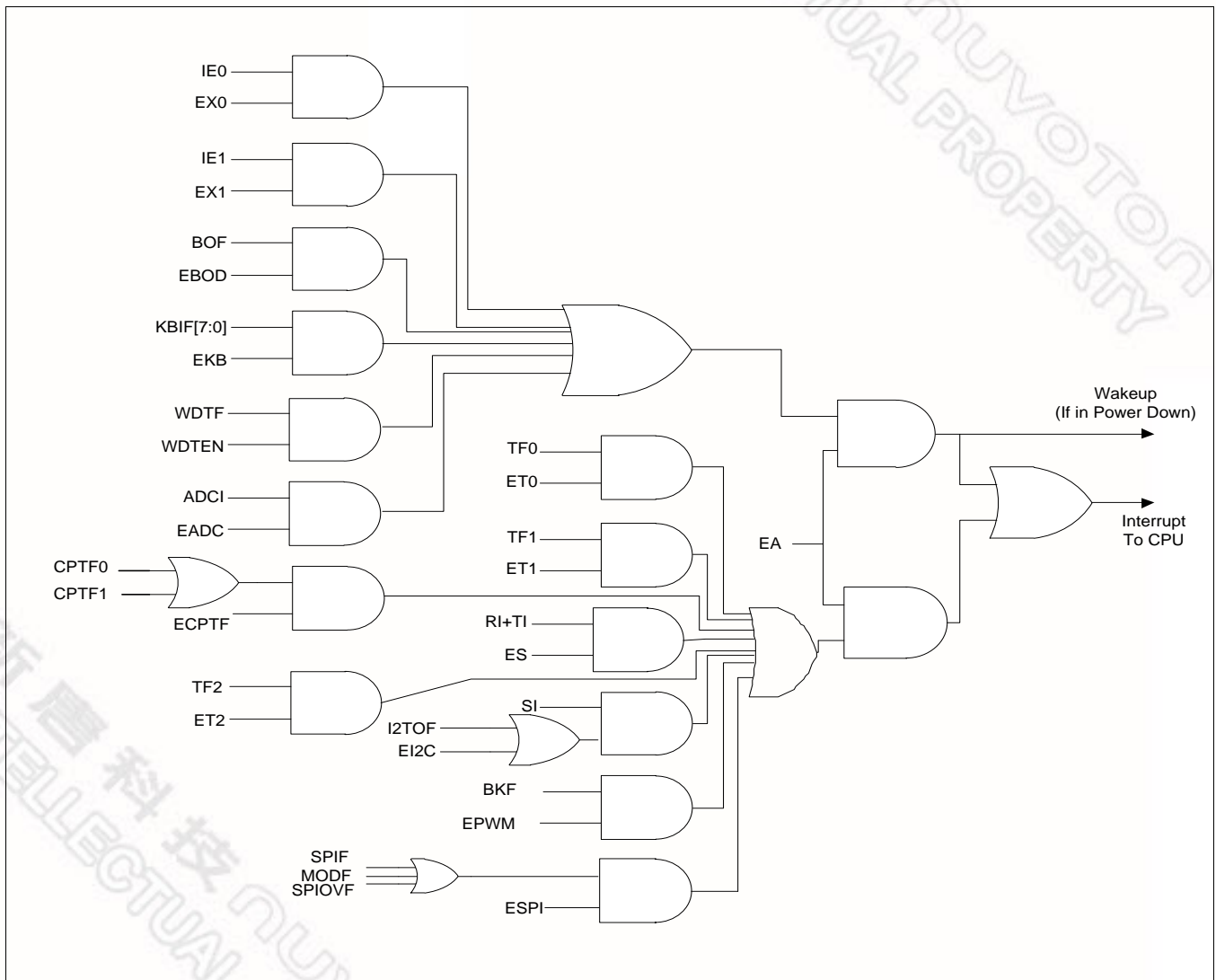


Figure 19-1 Interrupt Flag Block Diagram

19.2 Priority Level Structure

There are four priority levels for the interrupts, highest, high, low and lowest. The interrupt sources can be individually set to either high or low levels. Naturally, a higher priority interrupt cannot be interrupted by a lower priority interrupt. However there exists a pre-defined hierarchy amongst the interrupts themselves. This hierarchy comes into play when the interrupt controller has to resolve simultaneous requests having the same priority level. This hierarchy is defined as shown in [Table 19-3](#), the interrupts are numbered starting from the highest priority to the lowest.

The interrupt flags are sampled every machine-cycle. In the same machine-cycle, the sampled interrupts are polled and their priority is resolved. If certain conditions are met then the hardware will execute an internally generated LCALL instruction which will vector the process to the appropriate interrupt vector address. The conditions for generating the LCALL include

1. An interrupt of equal or higher priority is not currently being serviced.
2. The current polling cycle is the last machine-cycle of the instruction currently being executed.
3. The current instruction does not involve a write to IE, EIE, IP, IPH, EIP or IPH1 registers and is not a RETI.

If any of these conditions are not met, then the LCALL will not be generated. The polling cycle is repeated every machine-cycle, with the interrupts sampled in the same machine-cycle. If an interrupt flag is active in one cycle but not responded to, and is not active when the above conditions are met, the denied interrupt will not be serviced. This means that active interrupts are not remembered; every polling cycle is new.

The processor responds to a valid interrupt by executing an LCALL instruction to the appropriate service routine. This may or may not clear the flag which caused the interrupt. In case of Timer interrupts, the TF0 or TF1 flags are cleared by hardware whenever the processor vectors to the appropriate timer service routine. In case of external interrupt, INT0 and INT1, the flags are cleared only if they are edge triggered. In case of Serial interrupts, the flags are not cleared by hardware. In the case of Timer 2 interrupt, the flags are not cleared by hardware. The hardware LCALL behaves exactly like the software LCALL instruction. This instruction saves the Program Counter contents onto the Stack, but does not save the Program Status Word PSW. The PC is reloaded with the vector address of that interrupt which caused the LCALL, which address of vector for the different sources are as follows

**Table 19-1 Vector Locations for Interrupt Sources**

Source	Vector Address	Source	Vector Address
External Interrupt 0	0003h	Timer 0 Overflow	000Bh
External Interrupt 1	0013h	Timer 1 Overflow	001Bh
Serial Port	0023h	Timer 2 Overflow/Match	002Bh
I ² C Interrupt	0033h	KBI Interrupt	003Bh
BOD Interrupt	0043h	SPI Interrupt	004Bh
Watchdog Timer	0053h	ADC Interrupt	005Bh
Capture	0063h		
PWM brake Interrupt	0073h		

The vector table is not evenly spaced; this is to accommodate future expansions to the device family.

Table 19-2 Four-level Interrupt Priority

Priority bits		Interrupt Priority Level
IPXH	IPX	
0	0	Level 0 (Lowest priority)
0	1	Level 1
1	0	Level 2
1	1	Level 3 (highest priority)

Execution continues from the vectored address till an RETI instruction is executed. On execution of the RETI instruction the processor pops the Stack and loads the PC with the contents at the top of the stack. The user should watch out for the status of the stack is restored to whatever after the hardware LCALL, if the execution is to return to the interrupted program. The processor does not notice anything if the stack contents are modified and will proceed with execution from the address put back into PC. Note that a RET instruction would perform exactly the same process as a RETI instruction, but it would not inform the Interrupt Controller that the interrupt service routine is completed, and would leave the controller still thinking that the service routine is underway.

The N79E845/844/8432 uses a four-priority level interrupt structure. This allows great flexibility in controlling the handling of the N79E845/844/8432 many interrupt sources. The N79E845/844/8432 supports up to 14 interrupt sources.

Each interrupt source can be individually enabled or disabled by setting or clearing a bit in registers IE or EIE. The IE register also contains a global disable bit, EA, which disables all interrupts at once.

Each interrupt source can be individually programmed to one of four priority levels by setting or clearing bits in the IP, IPH, EIP, and EIPH registers. An interrupt service routine in progress can be interrupted by a higher priority interrupt, but



not by another interrupt of the same or lower priority. The highest priority interrupt service cannot be interrupted by any other interrupt source. So, if two requests of different priority levels are received simultaneously, the request of higher priority level is serviced.

If requests of the same priority level are received simultaneously, an internal polling sequence determines which request is serviced. This is called the arbitration ranking. Note that the arbitration ranking is only used to resolve simultaneous requests of the same priority level.

The following table summarizes the interrupt sources, flag bits, vector addresses, enable bits, priority bits, arbitration ranking, and whether each interrupt may wake up the CPU from Power-down mode.

Table 19-3 Summary of interrupt sources

Description	Interrupt Flag Bit(s)	Vector Address	Interrupt Enable Bit(s)	Flag cleared by	Interrupt Priority	Arbitration Ranking	Power-down Wake-up
External Interrupt 0	IE0	0003H	EX0 (IE0.0)	Hardware, Software	IPH.0, IP.0	1 (highest)	Yes
BOD Detect	BOF	0043H	EBOD (IE.5)	Software	IPH.5, IP.5	2	Yes
Watchdog Timer	WDTF	0053H	EWDI (EIE.4)	Software	EIPH.4, EIP.4	3	Yes
Timer 0 Interrupt	TF0	000BH	ET0 (IE.1)	Hardware, Software	IPH.1, IP.1	4	No
I ² C Interrupt	SI I2TOF	0033H	EI2C (EIE.0)	Software	EIPH.0, EIP.0	5	No
ADC Converter	ADCI	005BH	EADC (IE.6)	Software	IPH.6, IP.6	6	Yes ⁽¹⁾
External Interrupt 1	IE1	0013H	EX1 (IE.2)	Hardware, Software	IPH.2, IP.2	7	Yes
KBI Interrupt	KBIF[7:0]	003BH	EKB (EIE.1)	Software	EIPH.1, EIP.1	8	Yes
Timer 1 Interrupt	TF1	001BH	ET1 (IE.3)	Hardware, Software	IPH.3, IP.3	9	No
Serial Port Tx and Rx	TI & RI	0023H	ES (IE.4)	Software	IPH.4, IP.4	10	No
PWM Interrupt	BKF	0073H	EPWM (EIE.5)	Software	EIPH.5, EIP.5	11	No
SPI	SPIF + MODF + SPIOVF	004BH	ESPI (EIE.6)	Software	EIPH.6, EIP.6	12	No
Timer 2 Overflow/Match	TF2	002Bh	ET2 (EIE.7)	Software	EIPH.7, EIP.7	13	No
Capture	CAPF0-1	0063H	ECPTF (EIE.2)	Software	IPH.7, IP.7	14 (lowest)	No

[1] The ADC Converter can wake up “Power-down mode” when its clock source is from internal RC.

19.3 Interrupt Response Time

The response time for each interrupt source depends on several factors, such as the nature of the interrupt and the instruction underway. In the case of external interrupts $\overline{INT0}$ to RI+TI, they are sampled at C3 of every machine-cycle and then their corresponding interrupt flags IEx will be set or reset. The Timer 0 and 1 overflow flags are set at C3 of the machine-cycle in which overflow has occurred, which flag values are polled only in the next machine-cycle. If a request is active and all three conditions are met, then the hardware generated LCALL is executed. This LCALL itself takes four machine-cycles to be completed. Thus there is a minimum time of five machine-cycles between the interrupt flag being set and the interrupt service routine being executed.

A longer response time should be anticipated if any of the three conditions are not met. If a higher or equal priority is being serviced, the interrupt latency time is obviously dependent on the nature of the service routine currently being executed. If the polling cycle is not the last machine-cycle of the instruction being executed, an additional delay is introduced. The maximum response time (if no other interrupt is in service) occurs if the N79E845/844/8432 performs a write to IE, EIE, IP, IPH, EIP or EIPH and then executes a MUL or DIV instruction. From the time an interrupt source is activated, the longest reaction time is 12 machine-cycles. This includes 1 machine-cycle to detect the interrupt, 3 machine-cycles to complete the IE, EIE, IP, IPH, EIP or EIPH access, 5 machine-cycles to complete the MUL or DIV instruction and 4 machine-cycles to complete the hardware LCALL to the interrupt vector location.

Thus in a single-interrupt system the interrupt response time will always be more than 5 machine-cycles and not more than 12 machine-cycles. The maximum latency of 12 machine-cycle is 48 clock cycles. Note that in the standard 8051 the maximum latency is 8 machine-cycles which equals 96 machine-cycles. This is a 50% reduction in terms of clock periods.

19.4 SFR of Interrupt

The SFRs associated with these interrupts are listed below.

**IE – Interrupt Enable (Bit-addressable)**

7	6	5	4	3	2	1	0
EA	EADC	EBOD	ES	ET1	EX1	ET0	EX0
R/W	R/W	R/W	R/W	R/W	R/W	R/W	R/W

Address: A8H

Reset value: 0000 0000B

Bit	Name	Description
7	EA	Enable All Interrupt This bit globally enables/disables all interrupts. It overrides the individual interrupt mask settings. 0 = Disable all interrupt sources. 1 = Enable each interrupt depending on its individual mask setting. Individual interrupts will occur if enabled.
6	EADC	Enable ADC Interrupt
5	EBOD	Enable BOD Interrupt
4	ES	Enable Serial Port (UART) Interrupt 0 = Disable all UART interrupts. 1 = Enable interrupt generated by TI (SCON.1) or RI (SCON.0).
3	ET1	Enable Timer 1 Interrupt 0 = Disable Timer 1 interrupt 1 = Enable interrupt generated by TF1 (TCON.7).
2	EX1	Enable External interrupt 1 0 = Disable external interrupt 1. 1 = Enable interrupt generated by $\overline{\text{INT1}}$ pin (P1.4).
1	ET0	Enable Timer 0 Interrupt 0 = Disable Timer 0 interrupt 1 = Enable interrupt generated by TF0 (TCON.5).
0	EX0	Enable External Interrupt 0 0 = Disable external interrupt 0. 1 = Enable interrupt generated by $\overline{\text{INT0}}$ pin (P1.3).

EIE – Extensive Interrupt Enable

7	6	5	4	3	2	1	0
ET2	ESPI	EPWM	EWDI	-	ECPTF	EKB	EI2C



R/W	R/W	R/W	R/W	-	R/W	R/W	R/W
-----	-----	-----	-----	---	-----	-----	-----

Address: E8H Reset value: 0000 0000B

Bit	Name	Description
7	ET2	0 = Disable Timer 2 Interrupt. 1 = Enable Timer 2 Interrupt.
6	ESPI	SPI interrupt enable: 0 = Disable SPI Interrupt. 1 = Enable SPI Interrupt.
5	EPWM	0 = Disable PWM Interrupt when external brake pin was braked. 1 = Enable PWM Interrupt when external brake pin was braked.
4	EWDI	0 = Disable Watchdog Timer Interrupt. 1 = Enable Watchdog Timer Interrupt.
3	-	Reserved
2	ECPTF	0 = Disable capture interrupts. 1 = Enable capture interrupts.
1	EKB	0 = Disable Keypad Interrupt. 1 = Enable Keypad Interrupt.
0	EI2C	0 = Disable I ² C Interrupt. 1 = Enable I ² C Interrupt.

IP – Interrupt Priority-0 Register

7	6	5	4	3	2	1	0
PCAP	PADC	PBOD	PS	PT1	PX1	PT0	PX0
R/W	R/W	R/W	R/W	R/W	R/W	R/W	R/W

Address: B8H

Reset value: 0000 0000B

Bit	Name	Description
7	PCAP	1 = Set interrupt high priority of Capture 0/1/2 as highest priority level.
6	PADC	1 = Set interrupt priority of ADC as higher priority level.
5	PBOD	1 = Set interrupt priority of BOD Detector as higher priority level.
4	PS	1 = Set interrupt priority of Serial port 0 as higher priority level.
3	PT1	1 = Set interrupt priority of Timer 1 as higher priority level.



Bit	Name	Description
2	PX1	1 = Set interrupt priority of External interrupt 1 as higher priority level.
1	PT0	1 = Set interrupt priority of Timer 0 as higher priority level.
0	PX0	1 = Set interrupt priority of External interrupt 0 as higher priority level.

IPH – Interrupt High Priority Register

7	6	5	4	3	2	1	0
PCAPH	PADCH	PBODH	PSH	PT1H	PX1H	PT0H	PX0H
R/W	R/W	R/W	R/W	R/W	R/W	R/W	R/W

Address: B7H

Reset value: 0000 0000B

Bit	Name	Description
7	PCAPH	1 = Set interrupt high priority of Capture 0/1/2 as highest priority level.
6	PADCH	1 = Set interrupt high priority of ADC as the highest priority level.
5	PBODH	1 = Set interrupt high priority of BOD Detector as the highest priority level.
4	PSH	1 = Set interrupt high priority of Serial port 0 as the highest priority level.
3	PT1H	1 = Ro set interrupt high priority of Timer 1 as the highest priority level.
2	PX1H	1 = Set interrupt high priority of External interrupt 1 as the highest priority level.
1	PT0H	1 = Set interrupt high priority of Timer 0 as the highest priority level.
0	PX0H	1 = Set interrupt high priority of External interrupt 0 as the highest priority level.

EIP – Interrupt Priority-1 Register

7	6	5	4	3	2	1	0
PT2	PSPI	PPWM	PWDI	-	-	PKB	PI2
R/W	R/W	R/W	R/W	-	-	R/W	R/W

Address: FFH

Reset value: 0000 0000B

Bit	Name	Description
7	PT2	1 = Set interrupt priority of Timer 2 as higher priority level.
6	PSPI	1 = Set interrupt priority of SPI as higher priority level.
5	PPWM	1 = Set interrupt priority of PWM's brake as higher priority level.
4	PWDI	1 = Set interrupt priority of Watchdog as higher priority level.
3:2	-	Reserved



Bit	Name	Description
1	PKB	1 = Set interrupt priority of Keypad as higher priority level.
0	PI2	1 = Set interrupt priority of I ² C as higher priority level.

EIPH – Interrupt High Priority-1 Register

7	6	5	4	3	2	1	0
PT2H	PSPIH	PPWMH	PWDIH	-	-	PKBH	PI2H
R/W	R/W	R/W	R/W	-	-	R/W	R/W

Address: F7H

Reset value: 0000 0000B

Bit	Name	Description
7	PT2H	1 = Set interrupt high priority of Timer 2 as the highest priority level.
6	PSPIH	1 = Set interrupt high priority of SPI as the highest priority level.
5	PPWMH	1 = Set interrupt high priority of PWM's external brake pin as the highest priority level.
4	PWDIH	1 = Set interrupt high priority of Watchdog as the highest priority level.
3:2	-	Reserved
1	PKBH	1 = Set interrupt high priority of Keypad as the highest priority level.
0	PI2H	1 = Set interrupt high priority of I ² C as the highest priority level.

TCON – Timer 0 and 1 Control (Bit-addressable)

7	6	5	4	3	2	1	0
TF1	TR1	TF0	TR0	IE1	IT1	IE0	IT0
R/W	R/W	R/W	R/W	R/W	R/W	R/W	R/W

Address: 88H

Reset value: 0000 0000B

Bit	Name	Description
3	IE1	External Interrupt 1 Edge Flag This flag is set via hardware when an edge/level of type defined by IT1 is detected. If IT1 = 1, this bit will remain set until it is cleared via software or at the beginning of the External Interrupt 1 service routine. If IT1 = 0, this flag is the inverse of the $\overline{INT1}$ input signal's logic level.



Bit	Name	Description
2	IT1	External Interrupt 1 Type Selection This bit selects whether the $\overline{\text{INT1}}$ pin will detect falling edge or low level triggered interrupts. 0 = $\overline{\text{INT1}}$ is low level triggered. 1 = $\overline{\text{INT1}}$ is falling edge triggered.
1	IE0	External Interrupt 0 Edge Flag This flag is set via hardware when an edge/level of type defined by IT0 is detected. If IT0 = 1, this bit will remain set until cleared via software or at the beginning of the External Interrupt 0 service routine. If IT0 = 0, this flag is the inverse of the $\overline{\text{INT0}}$ input signal's logic level.
0	IT0	External Interrupt 0 Type Selection This bit selects whether the $\overline{\text{INT0}}$ pin will detect falling edge or low level triggered interrupts. 0 = $\overline{\text{INT0}}$ is low level triggered. 1 = $\overline{\text{INT0}}$ is falling edge triggered.

20 In System Programming (ISP)

The internal Program Memory and on-chip Data Flash support both hardware programming and in system programming (ISP). Hardware programming mode uses gang-writers to reduce programming costs and time to market while the products enter into the mass production state. However, if the product is just under development or the end product needs firmware updating in the hand of an end user, the hardware programming mode will make repeated programming difficult and inconvenient. ISP method makes it easy and possible. The N79E845/844/8432 supports ISP mode allowing a device to be reprogrammed under software control. The capability to update the application firmware makes $V_{DD} = 3.0V \sim 5.5V$ of applications.

ISP is performed without removing the microcontroller from the system. The most common method to perform ISP is via UART along with the firmware in LDRM. General speaking, PC transfers the new APROM code through serial port. Then LDRM firmware receives it and re-programs into APROM through ISP commands. Nuvoton provides ISP firmware, please visit Nuvoton 8-bit Microcontroller website below and select “Nuvoton ISP-ICP Programmer”.

http://www.nuvoton.com/NuvotonMOSS/Community/ProductInfo.aspx?tp_GUID=670aaf31-5d5c-45d3-8a9e-040e148d55cf

20.1 ISP Procedure

Unlike RAM's real-time operation, to update flash data often takes long time. Furthermore, it is a quite complex timing procedure to erase, program, or read flash data. Fortunately, the N79E845/844/8432 carried out the flash operation with convenient mechanism to help the user update the flash content. After ISP enabled by setting ISPEN (CHPCON.0 with TA protected), the user can easily fill the 16-bit target address in ISPAH and ISPAL, data in ISPF and command in ISPCN. Then the ISP is ready to begin by setting a triggering bit ISPGO (ISPTRG.0). Note that ISPTRG is also TA protected. At this moment, the CPU holds the Program Counter and the built-in ISP automation takes over to control the internal charge-pump for high voltage and the detail signal timing. After ISP action completed, the Program Counter continues to run the following instructions. The ISPGO bit will be automatically cleared. The user may repeat steps above for next ISP action if necessary. Through this progress, the user can easily erase, program, and verify the embedded flash by just watching out for the pure software.

The following registers are related to ISP processing.


CHPCON – Chip Control (TA Protected)

7	6	5	4	3	2	1	0
SWRST	ISPF	LDUEN	-	-	-	BS	ISPEN
w	r	R/W	-	-	-	R/W	R/W

 Address: 9FH Reset value: see [Table 7–2 N79E845/844/8432 SFR Description and Reset Values](#)

Bit	Name	Description
6	ISPF	ISP Fault Flag (Read Only) The hardware will set this bit when any of the following condition is met: 1. The accessing area is illegal, such as, (a) Erasing or programming APROM itself when APROM code runs. (b) Erasing or programming LDROM when APROM code runs but LDUEN is 0. (c) Erasing, programming, or reading CONFIG bytes when APROM code runs. (d) Erasing or programming LDROM itself when LDROM code runs. (e) Accessing oversize. 2. The ISP operating runs from internal Program Memory into external one. This bit should be cleared via software.
5	LDUEN	Updating LDROM Enable 0 = LDROM is inhibited to be erased or programmed when APROM code runs. LDROM remains read-only. 1 = LDROM is allowed to be fully accessed when APROM code runs.
4:2	-	Reserved
1	BS	Boot Selection There are different meanings of writing to or reading from this bit. <u>Writing</u> It defines from which block MCU boots after all resets. 0 = The next rebooting will be from APROM. 1 = The next rebooting will be from LDROM. <u>Reading</u> It indicates from which block MCU booted after previous reset. 0 = The previous rebooting is from APROM. 1 = The previous rebooting is from LDROM.
0	ISPEN	ISP Enable



Bit	Name	Description
		0 = Enable ISP function. 1 = Disable ISP function. To enable ISP function will start the internal 22.1184 MHz RC oscillator for timing control. To clear ISPEN should always be the last instruction after ISP operation to stop internal RC for reducing power consumption.

ISPCN – ISP Control

7	6	5	4	3	2	1	0
ISPA17	ISPA16	FOEN	FCEN	FCTRL.3	FCTRL.2	FCTRL.1	FCTRL.0
R/W	R/W	R/W	R/W	R/W	R/W	R/W	R/W

Address: AFH

Reset value: 0011 0000B

Bit	Name	Description
7:6	ISPA[17:16]	ISP Control This byte is for ISP controlling command to decide ISP destinations and actions.
5	FOEN	
4	FCEN	
3:0	FCTRL[3:0]	

ISPAH – ISP Address High Byte

7	6	5	4	3	2	1	0
ISPA[15:8]							
R/W							

Address: A7H

Reset value: 0000 0000B

Bit	Name	Description
7:0	ISPA[15:8]	ISP address High Byte ISPAH contains address ISPA[15:8] for ISP operations.

ISPAL – ISP Address Low Byte

7	6	5	4	3	2	1	0
ISPA[7:0]							
R/W							

Address: A6H

Reset value: 0000 0000B

Bit	Name	Description
7:0	ISPA[7:0]	ISP Address Low Byte ISPAL contains address ISPA[7:0] for ISP operations.

**ISPFD – ISP Flash Data**

7	6	5	4	3	2	1	0
ISPFD[7:0]							
R/W							

Address: AEH

Reset value: 0000 0000B

Bit	Name	Description
7:0	ISPFD[7:0]	<p>ISP Flash Data</p> <p>This byte contains flash data which is read from or is going to be written to the flash memory. The user should write data into ISPFD for program mode before triggering ISP processing and read data from ISPFD for read/verify mode after ISP processing is finished.</p>

ISPTRG – ISP Trigger (TA Protected)

7	6	5	4	3	2	1	0
-	-	-	-	-	-	-	ISPGO
-	-	-	-	-	-	-	W

Address: A4H

Reset value: 0000 0000B

Bit	Name	Description
0	ISPGO	<p>ISP Begin</p> <p>ISP begins by setting this bit as logic 1. After this instruction, the CPU holds the Program Counter (PC) and the ISP hardware automation takes over to control the progress. After ISP action completed, the Program Counter continues to run the following instructions. The ISPGO bit will be automatically cleared and always read as logic 0.</p>

20.2 ISP Command Table

ISP Command		ISPCN				ISPAH, ISPAL A[15:0]	ISPFID D[7:0]
		A17, A16	FOEN	FCEN	FCTRL[3:0]		
Read Company ID		x, x ^[1]	0	0	1011	x ^[1]	Data out D[7:0]=DAH
APROM & Data Flash	FLASH Page Erase	0, 0	1	0	0010	Address in A[15:0]	x ^[1]
	FLASH Program	0, 0	1	0	0001	Address in A[15:0]	Data in D[7:0]
	FLASH Read	0, 0	0	0	0000	Address in A[15:0]	Data out D[7:0]
LDR0M	FLASH Page Erase	0, 1	1	0	0010	Address in A[15:0]	x ^[1]
	FLASH Program	0, 1	1	0	0001	Address in A[15:0]	Data in D[7:0]
	FLASH Read	0, 1	0	0	0000	Address in A[15:0]	Data out D[7:0]
CONFIG ^[2] Page Erase		1, 1	1	0	0010	Address in A[15:0]=0000H	x ^[1]
CONFIG ^[2] Program		1, 1	1	0	0001	Address in A[15:0]	Data in D[7:0]
CONFIG ^[2] Read		1, 1	0	0	0000	Address in A[15:0]	Data out D[7:0]

Note:

[1] 'x' means 'don't care'.

[2] The 'CONFIG' means the MCU hardware configuration.

[3] Each page has 128 bytes. So, the address for Page Erase should be 0000, 0080H, 0100H, 0180H, 0200H, ..., which is incremented by 0080H.

20.3 Access Table of ISP Programming

Destination	UNLOCK		LOCK	
	ISP Code Residence		ISP Code Residence	
	APROM	LDROM	APROM	LDROM
APROM				
LDROM	[1]		[1]	
Data Flash				
CONFIGs		[2]		[2]
ID (read)				
Block color	Comment			
	Fully accessing			
	Read only			
	Accessing inhibit			
[1]	LDUE should be 1, or it will be read only.			
[2]	New CONFIG functions after POR, WDT, Reset pin or software reset			

Note:

- I. CONFIG full accessing by LDROM while LOCK.
- II. Inhibit APROM jump to LDROM or LDROM jump to APROM.
- III. MCU run in APROM cannot read CONFIGs.

20.4 ISP User Guide

ISP facilitates the updating flash contents in a convenient way; however, the user should follow some restricted laws in order that the ISP operates correctly. Without noticing warnings will possible cause undetermined results even serious damages of devices. Be attention of these notices. Furthermore, this paragraph will also support useful suggestions during ISP procedures.

(1) If no more ISP operation needs, the user should clear ISPEN (CHPCON.0) to zero. It will make the system void to trigger ISP unaware. Furthermore, ISP requires internal 22.1184MHZ RC oscillator running. If the external clock source is chosen, disabling ISP will stop internal 22.1184MHz RC for saving power consumption. Note that a write to ISPEN is TA protected.

(2) CONFIG bytes can be ISP fully accessed only when loader code executing in LDROM. New CONFIG bytes other than CBS bit activate after all resets. New CBS bit activates after resets other than software reset.



(3) When the LOCK bit (CONFIG0.1) is activated, ISP reading, writing, or erasing can still be valid.

(4) ISP works under $V_{DD} = 3.0V \sim 5.5V$.

(5) APROM and LDROM can read itself through ISP method.

Note: If the user would like to develop ISP program, always erase and program CONFIG bytes at the last step for data security.

20.5 ISP Demo Code

Common Subroutine for ISP

Enable_ISP:

```
MOV    ISPCN,#00110000b    ;select "Standby" mode
CLR    EA                  ;if any interrupt is enabled, disable temporarily
MOV    TA,#0AAH           ;CHPCON is TA-Protection
MOV    TA,#55H            ;
ORL    CHPCON,#00000001b  ;ISPEN=1, enable ISP function
SETB   EA
CALL   Trigger_ISP       ;
RET
```

Disable_ISP:

```
MOV    ISPCN,#00110000b    ;select "Standby" mode
CALL   Trigger_ISP       ;
CLR    EA                  ;if any interrupt is enabled, disable temporarily
MOV    TA,#0AAH           ;CHPCON is TA-Protection
MOV    TA,#55H            ;
ANL    CHPCON,#11111110b  ;ISPEN=0, disable ISP function
SETB   EA
RET
```

Trigger_ISP:

```
CLR    EA                  ;if any interrupt is enabled, disable temporarily
MOV    TA,#0AAH           ;ISPTRG is TA-Protection
MOV    TA,#55H            ;
MOV    ISPTRG,#00000001b  ;write '1' to bit ISPGO to trigger an ISP processing
SETB   EA
RET
```

Read Company ID

```
CALL   Enable_ISP
MOV    ISPCN,#00001011b    ;select "Read Company ID" mode
CALL   Trigger_ISP
MOV    A,ISPFD             ;now, ISPFD contains Company ID (should be DAH), move to ACC for
                           ;further use
CALL   Disable_ISP
```

Read Device ID

```
CALL   Enable_ISP
```



```

MOV   ISPCN,#00001100b   ;select "Read Device ID" mode
MOV   ISPAH,#00H         ;fill address with 0000H for low-byte DID
MOV   ISPAL,#00H         ;
CALL  Trigger_ISP
MOV   A,ISPFH            ;now, ISPFH contains low-byte DID, move to ACC for further use
MOV   ISPAH,#00H         ;fill address with 0001H for high-byte DID
MOV   ISPAL,#01H         ;
CALL  Trigger_ISP
MOV   A,ISPFH            ;now, ISPFH contains high-byte DID, move to ACC for further use
CALL  Disable_ISP

```

FLASH Page Erase (target address in APROM/Data Flash/LDROM area)

```

CALL  Enable_ISP
MOV   ISPCN,#00100010b   ;select "FLASH Page Erase" mode, (A17,A16)=(0,0) for APROM/Data
                               ;Flash/LDROM
MOV   ISPAH,###H         ;fill page address
MOV   ISPAL,###H
CALL  Trigger_ISP
CALL  Disable_ISP

```

FLASH Program (target address in APROM/Data Flash/LDROM area)

```

CALL  Enable_ISP
MOV   ISPCN,#00100001b   ;select "FLASH Program" mode, (A17,A16)=(0,0) for APROM/Data
                               ;Flash/LDROM
MOV   ISPAH,###H         ;fill byte address
MOV   ISPAL,###H
MOV   ISPFH,###H         ;fill data to be programmed
CALL  Trigger_ISP
CALL  Disable_ISP

```

FLASH Read (target address in APROM/Data Flash/LDROM area)

```

CALL  Enable_ISP
MOV   ISPCN,#00000000b   ;select "FLASH Read" mode, (A17,A16)=(0,0) for APROM/Data
                               ;Flash/LDROM
MOV   ISPAH,###H         ;fill byte address
MOV   ISPAL,###H
CALL  Trigger_ISP
MOV   A,ISPFH            ;now, ISPFH contains the Flash data, move to ACC for further use
CALL  Disable_ISP

```

CONFIG Page Erase (target address in CONFIG area)

```

CALL  Enable_ISP
MOV   ISPCN,#11100010b   ;select "CONFIG Page Erase" mode, (A17,A16)=(1,1) for CONFIG
MOV   ISPAH,#00H         ;fill page address #0000H, because there is only one page
MOV   ISPAL,#00H
CALL  Trigger_ISP
CALL  Disable_ISP

```

CONFIG Program (target address in CONFIG area)

```

CALL  Enable_ISP
MOV   ISPCN,#11100001b   ;select "CONFIG Program" mode, (A17,A16)=(1,1) for CONFIG
MOV   ISPAH,#00H         ;fill byte address, 0000H/0001H/0002H/0003H for CONFIG0/1/2/3,
                               ;respectively

```



```

MOV   ISPAL, #??H
MOV   ISPF, #??H           ;fill data to be programmed
CALL  Trigger_ISP

CALL  Disable_ISP

```

CONFIG Read (target address in CONFIG area)

```

CALL  Enable_ISP
MOV   ISPCN, #11000000b   ;select "CONFIG Read" mode, (A17,A16)=(1,1) for CONFIG
MOV   ISPAH, #00H        ; fill byte address, 0000H/0001H/0002H/0003H for CONFIG0/1/2/3,
                          ;respectively

MOV   ISPAL, #??H
CALL  Trigger_ISP
MOV   A, ISPF             ;now, ISPF contains the CONFIG data, move to ACC for further
                          ;use

CALL  Disable_ISP

```



21 Power Management

The N79E845/844/8432 has several features that help the user to control the power consumption of the device. The power saved features have Power-down mode and Idle mode operations. For a stable current consumption, user should watch out for the states of P0 pins.

In system power saving modes, user should specifically watch out for the Watchdog Timer. The hardware will clear WDT counter automatically after entering into or being woken-up from Idle or Power-down mode. It prevents unconscious system reset.

PCON – Power Control

7	6	5	4	3	2	1	0
SMOD	SMOD0	-	POF	GF1	GF0	PD	IDL
R/W	R/W	-	R/W	R/W	R/W	R/W	R/W

Address: 87H Reset value: see [Table 7–2 N79E845/844/8432 SFR Description and Reset Values](#)

Bit	Name	Description
1	PD	<p>Power-down Mode</p> <p>Setting this bit puts MCU into Power-down mode. Under this mode, both CPU and peripheral clocks stop and Program Counter (PC) suspends. It provides the lowest power consumption. After CPU is woken up from Power Down, this bit will be automatically cleared via hardware and the program continue executing the interrupt service routine (ISR) of the very interrupt source that woke the system up before. After return from the ISR, the device continues execution at the instruction which follows the instruction that put the system into Power-down mode.</p> <p>Note: If IDL bit and PD bit are set simultaneously, the MCU will enter into Power-down mode. Then it does not go to Idle mode after exiting Power Down.</p>
0	IDL	<p>Idle Mode</p> <p>Setting this bit puts MCU into Idle mode. Under this mode, the CPU clock stops and Program Counter (PC) suspends. After CPU is woken up from Idle, this bit will be automatically cleared via hardware and the program continue executing the ISR of the very interrupt source that woke the system up before. After return from the ISR, the device continues execution at the instruction which follows the instruction that put the system into Idle mode.</p>

21.1 Idle Mode

Idle mode suspends CPU processing by holding the Program Counter. No program code are fetched and run in Idle mode. This forces the CPU state to be frozen. The Program Counter (PC), the Stack Pointer (SP), the Program Status Word (PSW), the Accumulator (ACC), and the other registers hold their contents during Idle mode. The port pins hold the logi-



cal states they had at the time Idle was activated. Generally it saves considerable power of typical half of the full operating power.

Since the clock provided for peripheral function logic circuit like timer or serial port still remain in Idle mode, the CPU can be released from the Idle mode using any of the interrupt sources if enabled. The user can put the device into Idle mode by writing 1 to the bit IDL (PCON.0). The instruction that sets the IDL bit is the last instruction that will be executed before the device goes into Idle mode.

The Idle mode can be terminated in two ways. First, any interrupt if enabled will cause an exit. This will automatically clear the IDL bit, terminate the Idle mode, and the interrupt service routine (ISR) will be executed. After using the RETI instruction to jump out of the ISR, execution of the program will be the one following the instruction which put the CPU into Idle mode. The second way to terminate the Idle mode is with any reset other than software reset.

21.2 Power-down Mode

Power-down mode is the lowest power state that N79E845/844/8432 can enter. It remain the power consumption as a "μA" level. This is achieved by stopping the clock system no matter internal RC clock or external crystal. Both of CPU and peripheral functions like Timers or UART are frozen. Flash memory stops. All activity is completely stopped and the power consumption is reduced to the lowest possible value. The device can be put into Power-down mode by writing 1 to bit PD (PCON.1). The instruction that does this action will be the last instruction to be executed before the device goes into Power-down mode. In Power-down mode, RAM maintains its content. The port pins output the values held by their respective.

There are two ways to exit N79E845/844/8432 from Power-down mode. The first is with all resets except software reset. BOD reset will also wake up CPU from Power-down mode. Make sure that BOD detection is enabled before the system enters into Power-down. However, for a principle of least power consumption, it is uncommon to enable BOD detection in Power-down mode, which is not a recommended application. Of course, the RST pin reset and power-on reset will remove the Power Down status. After RST pin reset or power-on reset, the CPU is initialized and starts executing program code from the beginning.

The N79E845/844/8432 can be woken up from Power-down mode by forcing an external interrupt pin activated, providing the corresponding interrupt enabled and the global enable EA bit (IE.7) is set. If these conditions are met, the trigger on the external pin will asynchronously restart the clock system. Then device executes the interrupt service routine (ISR) for the corresponding external interrupt. After the ISR is completed, the program execution returns to the instruction after the one that puts the device into Power-down mode and continues.

BOD, Watchdog and KBI interrupt are other sources to wake up CPU from Power Down. As mentioned before the user will endure the current of BOD detection circuit. Using KBI interrupt to wake up CPU from Power Down has a re-

striction: The KBI pin keeps low (high) before CPU enters Power Down. Then only rising (falling) edge of KBI Interrupt can wake up CPU from Power Down.

新唐科技 NUVOTON
INTELLECTUAL PROPERTY

新唐科技 NUVOTON
INTELLECTUAL PROPERTY

22 Clock System

The N79E845/844/8432 provides three options of the clock system that is configured by F_{OSC} (CONFIG3.1~0). It switches the clock system from crystal/resonator, on-chip RC oscillator, or external clock from XTAL1 pin. The N79E845/844/8432 is embedded with an on-chip RC oscillator of 22.1184 MHz/11.0592 MHz selected by CONFIG setting, factory trimmed to $\pm 1\%$ under the condition of room temperature and $V_{DD}=5V$. If the external clock source is from the crystal, the frequency supports from 4 MHz to 24 MHz.

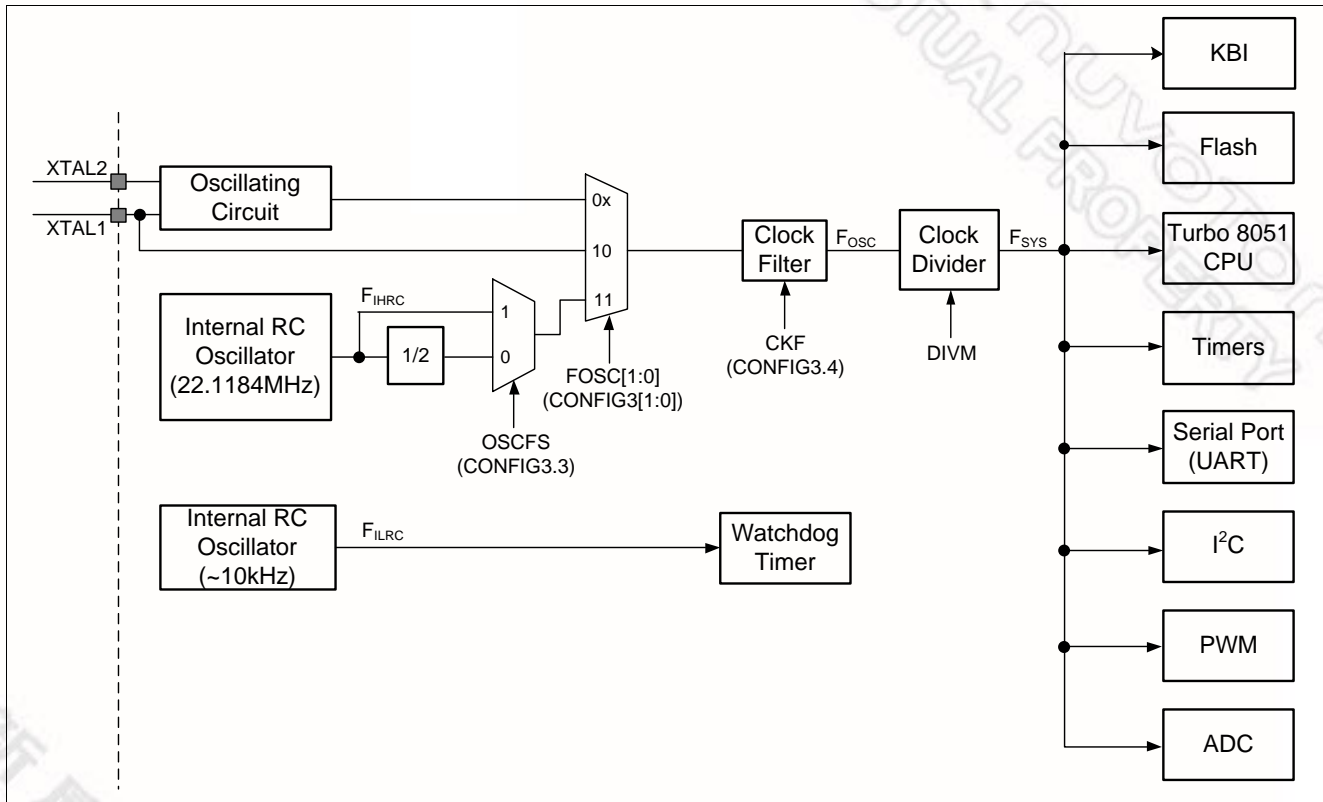


Figure 22-1 Clock System Block Diagram



CONFIG3

7	6	5	4	3	2	1	0
CWDTEN	-	-	CKF	OSCFS	-	FOSC1	FOSC0
R/W	-	-	R/W	R/W	-	R/W	R/W

Upprogrammed value: 1111 1111B

Bit	Name	Description										
4	CKF	Clock Filter Enable 1 = Enable clock filter. It increases noise immunity and EMC capacity. 0 = Disable clock filter.										
3	OSCFS	Internal RC Oscillator Frequency Selection 1 = Select 22.1184 MHz as the clock system if internal RC oscillator mode is used. It bypasses the divided-by-2 path of internal oscillator to select 22.1184 MHz output as the clock system source. 0 = Select 11.0592 MHz as the clock system if internal RC oscillator mode is used. The internal RC divided-by-2 path is selected. The internal oscillator is equivalent to 11.0592 MHz output used as the clock system.										
2	-	Reserved										
1:0	FOSC1 FOSC0	Oscillator Select Bit For chip clock source selection, refer to the following table. <table border="1" style="margin-left: 20px;"> <thead> <tr> <th>(FOSC1, FOSC0)</th> <th>Chip Clock Source</th> </tr> </thead> <tbody> <tr> <td>(1, 1)</td> <td>Internal RC oscillator</td> </tr> <tr> <td>(1, 0)</td> <td>Reserved</td> </tr> <tr> <td>(0, 1)</td> <td>External crystal, 4 MHz ~ 24 MHz</td> </tr> <tr> <td>(0, 0)</td> <td></td> </tr> </tbody> </table>	(FOSC1, FOSC0)	Chip Clock Source	(1, 1)	Internal RC oscillator	(1, 0)	Reserved	(0, 1)	External crystal, 4 MHz ~ 24 MHz	(0, 0)	
(FOSC1, FOSC0)	Chip Clock Source											
(1, 1)	Internal RC oscillator											
(1, 0)	Reserved											
(0, 1)	External crystal, 4 MHz ~ 24 MHz											
(0, 0)												

DIVM – Clock Divider Register

7	6	5	4	3	2	1	0
DIVM[7:0]							
R/W							

Address: 95H

Reset value: 0000 0000B

Bit	Name	Description
7:0	DIVM[7:0]	Clock Divider The clock system frequency F_{SYS} follows the equation below according to DIVM value. $F_{SYS} = F_{OSC}$, while DIVM = 00H. $F_{SYS} = \frac{1}{2(DIVM + 1)} \times F_{OSC}$, while DIVM = 01H ~ FFH.

22.1 On-Chip RC Oscillator

The on-chip RC oscillator is enabled while FOSC (CONFIG3.1~0) is 1. Setting OSCFS (CONFIG3.3) logic 1 will switch to a divided-by-2 path.

22.2 Crystal/Resonator

The crystal/resonator is selected as the system clock while FOSC[1:0] keep programmed as [0:1]. XTAL1 and XTAL2 are the input and output, respectively, of an internal inverting amplifier. A crystal or resonator can be used by connecting between XTAL1 and XTAL2 pins. The crystal or resonator frequency from 4MHz up to 24MHz is allowed. CKF (CONFIG3.4) is the control bit of clock filter circuit of XTAL1 input pin.



23 Power Monitoring

To prevent incorrect execution during power up and power drop, the N79E845/844/8432 provides three power monitor functions, power-on detection and BOD detection.

23.1 Power-on Detection

The power-on detection function is designed for detecting power up after power voltage reaches to a level where system can work. After power-on detected, the POF (PCON.4) will be set 1 to indicate a cold reset, a power-on reset complete. The POF flag can be cleared via software.

23.2 Brown-out Detection

The other power monitoring function, BOD detection circuit is for monitoring the V_{DD} level during execution. There are two programmable BOD trigger levels available for wide voltage applications. The two nominal levels are 2.7V and 3.8V selected via setting CBOV in CONFIG2. When V_{DD} drops to the selected BOD trigger level (V_{BOD}), the BOD detection logic will either reset the CPU or request a BOD interrupt. The user may determine BOD reset or interrupt enable according to different application systems.

The BOD detection will request the interrupt while V_{DD} drops below V_{BOD} while BORST (PMCR.4) is 0. In this case, BOF (PMCR.3) will set as 1. After the user clears this flag whereas V_{DD} remains below V_{BOD} , BOF will not set again. BOF just acknowledge the user a power drop occurs. The BOF will set 1 after V_{DD} goes higher than V_{BOD} to indicate a power resuming. V_{BOD} has a hysteresis of 20~200mV.

CONFIG2

7	6	5	4	3	2	1	0
CBODEN	CBOV	-	CBORST	-	-	-	-
R/W	R/W	-	R/W	-	-	-	-

Unprogrammed value: 1111 1111B

Bit	Name	Description
7	CBODEN	<p>CONFIG BOD Detection Enable</p> <p>1 = Disable BOD detection.</p> <p>0 = Enable BOD detection.</p> <p>BODEN is initialized by inverted CBODEN (CONFIG2, bit-7) at any resets.</p>



Bit	Name	Description									
6	CBOV	<p>CONFIG BOD Voltage Selection</p> <p>This bit select one of two BOD voltage level.</p> <table border="1"> <thead> <tr> <th>CONFIG-bits CBOV</th> <th>SFR BOV</th> <th>BOD voltage</th> </tr> </thead> <tbody> <tr> <td>1</td> <td>0</td> <td>Enable BOD= 2.7V</td> </tr> <tr> <td>0</td> <td>1</td> <td>Enable BOD= 3.8V</td> </tr> </tbody> </table>	CONFIG-bits CBOV	SFR BOV	BOD voltage	1	0	Enable BOD= 2.7V	0	1	Enable BOD= 3.8V
CONFIG-bits CBOV	SFR BOV	BOD voltage									
1	0	Enable BOD= 2.7V									
0	1	Enable BOD= 3.8V									
5	-	Reserved									
4	CBORST	<p>CONFIG BOD Reset Enable</p> <p>This bit decides if a BOD reset is caused after a BOD event.</p> <p>1 = Enable BOD reset when V_{DD} drops below V_{BOD} or V_{DD} rises above V_{BOD}.</p> <p>0 = Disable BOD reset when V_{DD} drops below V_{BOD}. Chip will assert BOF when V_{DD} drops below V_{BOD} or V_{DD} rises above V_{BOD}.</p>									

PMCR – Power Monitoring Control (TA Protected)

7	6	5	4	3	2	1	0
BODEN	BOV	-	BORST	BOF	-	-	-
R/W	R/W	-	R/W	R/W	-	-	-

Address: A3H Reset value: see Table 7–2 N79E845/844/8432 SFR Description and Reset Values

Bit	Name	Description									
7	BODEN	<p>BOD-detect Function Control</p> <p>BODEN is initialized by inverted CBODEN (CONFIG2, bit-7) at any resets.</p> <p>1 = Enable BOD detection.</p> <p>0 = Disable BOD detection.</p>									
6	BOV	<p>BOD Voltage Select Bits</p> <p>BOD are initialized at reset with the value of bits CBOV in CONFIG3-bits</p> <p>BOD Voltage Select bits:</p> <table border="1"> <thead> <tr> <th>CONFIG-bits CBOV</th> <th>SFR BOV</th> <th>BOD Voltage</th> </tr> </thead> <tbody> <tr> <td>1</td> <td>0</td> <td>Enable BOD= 2.7V</td> </tr> <tr> <td>0</td> <td>1</td> <td>Enable BOD= 3.8V</td> </tr> </tbody> </table>	CONFIG-bits CBOV	SFR BOV	BOD Voltage	1	0	Enable BOD= 2.7V	0	1	Enable BOD= 3.8V
CONFIG-bits CBOV	SFR BOV	BOD Voltage									
1	0	Enable BOD= 2.7V									
0	1	Enable BOD= 3.8V									
5	-	Reserved									

Bit	Name	Description
4	BORST	<p>BOD Reset Enable</p> <p>This bit decides if a BOD reset is caused after a BOD event.</p> <p>0 = Disable BOD reset when V_{DD} drops below V_{BOD} or V_{DD} rises above V_{BOD}. Chip will assert BOF when V_{DD} drops below V_{BOD}.</p> <p>1 = Enable BOD reset when V_{DD} drops below V_{BOD} or V_{DD} rises above V_{BOD}.</p>
3	BOF	<p>BOD Flag</p> <p>This flag will be set as logic 1 via hardware after a V_{DD} dropping below or rising above V_{BOD} event occurs. If both EBOD (IE.5) and EA (IE.7) are set, a BOD interrupt requirement will be generated. This bit should be cleared via software.</p>
2	-	It should be set to logic 0.
1	-	Reserved
0	-	Reserved

Note: If BOF is 1 after chip reset, it is strongly recommended to initialize the user program by clearing BOF.

24 Reset Conditions

The N79E845/844/8432 has several options to place device in reset condition. In general, most SFRs go to their reset value irrespective of the reset condition, but there are several reset source indication flags whose state depends on the source of reset. There are 5 ways of putting the device into reset state. They are power-on reset, RST pin reset, software reset, Watchdog Timer reset, and BOD reset.

24.1 Power-on Reset

The N79E845/844/8432 incorporates an internal voltage reference. During a power-on process of rising power supply voltage V_{DD} , this voltage reference will hold the CPU in power-on reset mode when V_{DD} is lower than the voltage reference threshold. This design makes CPU not access program flash while the V_{DD} is not adequate performing the flash reading. If an undetermined operating code is read from the program flash and executed, this will put CPU and even the whole system in to an erroneous state. After a while, V_{DD} rises above the reference threshold where the system can work, the selected oscillator will start and then program code will be executed from 0000H. At the same time, a power-on flag POF (PCON.4) will be set 1 to indicate a cold reset, a power-on reset complete. Note that the contents of internal RAM will be undetermined after a power-on. It is recommended that user give initial values for the RAM block. P1.6, P1.7, P1.0 and P1.1 are forced to Quasi-bi-direction type when chip is in reset state.

It is recommended that the POF be cleared to 0 via software to check if a cold reset or warm reset performed after the next reset occurs. If a cold reset caused by power off and on, POF will be set 1 again. If the reset is a warm reset caused by other reset sources, POF will remain 0. The user may take a different course to check other reset flags and deal with the warm reset event.

PCON – Power Control

7	6	5	4	3	2	1	0
SMOD	SMOD0	-	POF	GF1	GF0	PD	IDL
R/W	R/W	-	R/W	R/W	R/W	R/W	R/W

Address: 87H Reset value: see [Table 7-2 N79E845/844/8432 SFR Description and Reset Values](#)

Bit	Name	Description
4	POF	<p>Power-on Reset Flag</p> <p>This bit will be set as 1 after a power-on reset. It indicates a cold reset, a power-on reset complete. This bit remains its value after any other resets. This flag is recommended to be cleared via software.</p>

24.2 BOD Reset

BOD detection circuit is for monitoring the V_{DD} level during execution. When V_{DD} drops to the selected BOD trigger level (V_{BOD}) or V_{DD} rises over V_{BOD} , the BOD detection logic will reset the CPU if BORST (PMCR.4) setting 1.

PMCR – Power Monitoring Control (TA Protected)

7	6	5	4	3	2	1	0
BODEN	BOV	-	BORST	BOF	-	-	-
R/W	R/W	-	R/W	R/W	-	-	-

Address: A3H Reset value: see [Table 7–2 N79E845/844/8432 SFR Description and Reset Values](#)

Bit	Name	Description									
7	BODEN	<p>BOD-detect Function Control</p> <p>BODEN is initialized by inverted CBODEN (CONFIG2, bit-7) at any resets.</p> <p>1 = Enable BOD detection.</p> <p>0 = Disable BOD detection.</p>									
6	BOV	<p>BOD Voltage Select Bits</p> <p>BOD are initialized at reset with the value of bits CBOV in CONFIG3-bits</p> <p>BOD Voltage Select bits:</p> <table border="1"> <thead> <tr> <th>CONFIG-bits CBOV</th> <th>SFR BOV</th> <th>BOD Voltage</th> </tr> </thead> <tbody> <tr> <td>1</td> <td>0</td> <td>Enable BOD= 2.7V</td> </tr> <tr> <td>0</td> <td>1</td> <td>Enable BOD= 3.8V</td> </tr> </tbody> </table>	CONFIG-bits CBOV	SFR BOV	BOD Voltage	1	0	Enable BOD= 2.7V	0	1	Enable BOD= 3.8V
CONFIG-bits CBOV	SFR BOV	BOD Voltage									
1	0	Enable BOD= 2.7V									
0	1	Enable BOD= 3.8V									
5	-	Reserved									
4	BORST	<p>BOD Reset Enable</p> <p>This bit decides if a BOD reset is caused after a BOD event.</p> <p>0 = Disable BOD reset when V_{DD} drops below V_{BOD} or V_{DD} rises above V_{BOD}. Chip will assert BOF when V_{DD} drops below V_{BOD}.</p> <p>1 = Enable BOD reset when V_{DD} drops below V_{BOD} or V_{DD} rises above V_{BOD}.</p>									
3	BOF	<p>BOD Flag</p> <p>This flag will be set as logic 1 via hardware after a V_{DD} dropping below or rising above V_{BOD} event occurs. If both EBOD (IE.5) and EA (IE.7) are set, a BOD interrupt requirement will be generated. This bit should be cleared via software.</p>									
2	-	It should be set to logic 0.									
1	-	Reserved									
0	-	Reserved									

24.3 RST Pin Reset

The hardware reset input is RST pin which is the input with a Schmitt trigger. A hardware reset is accomplished by holding the RST pin low for at least two machine-cycles to ensure detection of a valid hardware reset signal. The reset circuitry then synchronously applies the internal reset signal. Thus the reset is a synchronous operation and requires the clock to be running to cause an external reset.

Once the device is in reset condition, it will remain so as long as RST pin is 1. After the RST low is removed, the CPU will exit the reset state with in two machine-cycles and begin code executing from address 0000H. There is no flag associated with the RST pin reset condition. However since the other reset sources have flags, the external reset can be considered as the default reset if those reset flags are cleared.

If a RST pin reset applies while CPU is in Power-down mode, the way to trigger a hardware reset is slightly different. Since the Power-down mode stops clock system, the reset signal will asynchronously cause the clock system resuming. After the clock system is stable, CPU will enter into the reset state, then exit and start to execute program code from address 0000H.

Note: Because reset pin has internal pull-up resistor (about 200K Ω at $V_{DD} = 5V$), this pin cannot be floating. Reset pin should be connected to a 100 Ω pull-up resistor and a 10uF pull-low capacitor.

24.4 Watchdog Timer Reset

The Watchdog Timer is a free running timer with programmable time-out intervals. The user can clear the Watchdog Timer at any time, causing it to restart the count. When the selected time-out occurs, the Watchdog Timer will reset the system directly. The reset condition is maintained via hardware for two machine-cycles. After the reset is removed the device will begin execution from 0000H.

Once a reset due to Watchdog Timer occurs the Watchdog Timer reset flag WDTRF (WDCON0.3) will be set. This bit keeps unchanged after any reset other than a power-on reset. The user may clear WDTRF via software.


WDCON0 – Watchdog Timer Control (TA Protected)

7	6	5	4	3	2	1	0
WDTEN	WDCLR	WDTF	WIDPD	WDTRF	WPS2	WPS1	WPS0
R/W	W	-	R/W	R/W	R/W	R/W	R/W

 Address: D8H Reset value: see [Table 7-2 N79E845/844/8432 SFR Description and Reset Values](#)

Bit	Name	Description
3	WDTRF	<p>WDT Reset Flag</p> <p>When the MCU resets itself, this bit is set by hardware. The bit should be cleared by software.</p> <p>If EWRST=0, the interrupt flag WDTRF won't be set by hardware, and the MCU will reset itself right away.</p> <p>If EWRST=1, the interrupt flag WDTRF will be set by hardware and the MCU will jump into WDT's interrupt service routine if WDT interrupt is enabled, and the MCU won't reset itself until 512 CPU clocks elapse. In other words, in this condition, the user also needs to clear the WDT counter (by writing '1' to WDCLR bit) during this period of 512 CPU clocks, or the MCU will also reset itself when 512 CPU clocks elapse.</p>

WDCON1 – Watchdog Timer Control (TA Protected)

7	6	5	4	3	2	1	0
-	-	-	-	-	-	-	EWRST
-	-	-	-	-	-	-	R/W

Address: ABH

Reset value: 0000 0000B

Bit	Name	Description
0	EWRST	<p>0 = Disable WDT Reset function.</p> <p>1 = Enable WDT Reset function.</p>

24.5 Software Reset

N79E845/844/8432 are enhanced with a software reset. This allows the program code to reset the whole system in software approach. It is quite useful in the end of an ISP progress. For example, if an LDRAM updating APROM ISP finishes and the code in APROM is correctly updated, a software reset can be asserted to reboot CPU from the APROM to check the result of the updated APROM program code immediately. Writing 1 to SWRST (CHPCON.7) will trigger a software reset. Note that this bit is timed access protection. See demo code below.

CHPCON – Chip Control (TA Protected)

7	6	5	4	3	2	1	0
SWRST	ISPF	LDUEN	-	-	-	BS	ISPEN
W	R/W	R/W	-	-	-	R/W	R/W

Address: 9FH Reset value: see [Table 7-2 N79E845/844/8432 SFR Description and Reset Values](#)

Bit	Name	Description
7	SWRST	Software Reset Setting this bit as logic 1 will cause a software reset. It will automatically be cleared via hardware after reset is finished.

The software demo code is listed below.

```

CLR EA                ;If any interrupt is enabled, disable temporarily
MOV TA,#0AAh         ;TA protection.
MOV TA,#55h          ;
ANL CHPCON,#0FDh     ;BS = 0, reset to APROM.
MOV TA,#0AAh
MOV TA,#55h
ORL CHPCON,#80h      ;Software reset

```

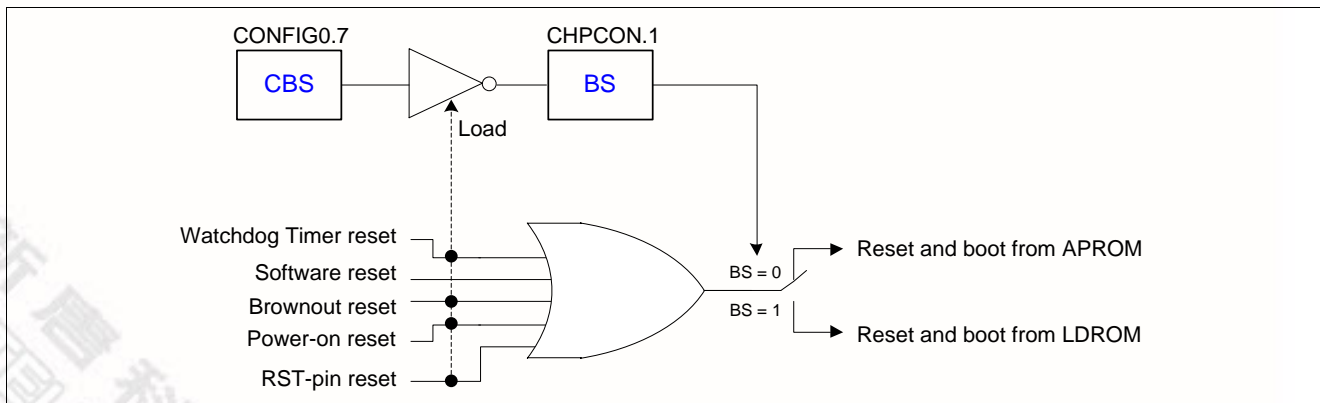
24.6 Boot Selection

Figure 24-1 Boot Selection Diagram

The N79E845/844/8432 provides user a flexible boot selection for variant application. The SFR bit BS in CHPCON.1 determines CPU booting from APROM or LDROM after any source of reset. If reset occurs and BS is 0, CPU will reboot from APPROM. Else, the CPU will reboot from LDROM.

**CONFIG0**

7	6	5	4	3	2	1	0
CBS	-	-	-	-	-	LOCK	DFEN
R/W	-	-	-	-	-	R/W	R/W

Unprogrammed value: 1111 1111B

Bit	Name	Description
7	CBS	<p>CONFIG Boot Selection</p> <p>This bit defines from which block MCU boots after all resets except software reset.</p> <p>1 = MCU will boot from APROM after all resets except software reset.</p> <p>0 = MCU will boot from LDROM after all resets except software reset.</p>

CHPCON – Chip Control (TA Protected)

7	6	5	4	3	2	1	0
SWRST	ISPF	LDUEN	-	-	-	BS ^[1]	ISPEN
W	R/W	R/W	-	-	-	R/W	R/W

Address: 9FH Reset value: see [Table 7-2 N79E845/844/8432 SFR Description and Reset Values](#)

Bit	Name	Description
1	BS	<p>Boot Selection</p> <p>There are different meanings of writing to or reading from this bit.</p> <p><u>Writing:</u></p> <p>It defines from which block MCU boots after all resets.</p> <p>0 = The next rebooting will be from APROM.</p> <p>1 = The next rebooting will be from LDROM.</p> <p><u>Reading:</u></p> <p>It indicates from which block MCU booted after previous reset.</p> <p>0 = The previous rebooting is from APROM.</p> <p>1 = The previous rebooting is from LDROM.</p>

[1] Note that this bit is initialized by being loaded from the inverted value of CBS bit in CONFIG0.7 at all resets except software reset. It keeps unchanged after software reset.

Note: After the CPU is released from all reset state, the hardware will always check the BS bit instead of the CBS bit to determine from APROM or LDROM that the device reboots.

24.7 Reset State

The reset state does not affect the on-chip RAM. The data in the RAM will be preserved during the reset. Note that the RAM contents may be lost if the V_{DD} falls below approximately 1.2V. This is the minimum voltage level required for



RAM data retention. Therefore, after the power-on reset the RAM contents will be indeterminate. During a power fail condition. If the power falls below the data retention minimum voltage, the RAM contents will also lose.

After a reset, most of SFRs go to their initial values except bits which are affected by different reset events. See the notes of [Table 7-2 N79E845/844/8432 SFR Description and Reset Values](#). for the initial state of all SFRs. Some special function registers initial value depends on different reset sources. Refer to Table 24- for details. The Program Counter is forced to 0000H and held as long as the reset condition is applied. Note that the Stack Pointer is also reset to 07H, therefore the stack contents may be effectively lost during the reset event even though the RAM contents are not altered.

After a reset, interrupts and Timers are disabled. The Watchdog Timer is disabled if the reset source was a power-on reset. The I/O port SFRs have FFH written into them which puts the port pins in a high state.

Table 24-2 Initial State of SFR Caused by Different Resets

	Power-on Reset	Watchdog Reset	Software/ External Reset	BOD Reset	With Time Access Protection
WDCON0 (D8H)	C000 0000B b7(ENWDT)= /CENWDT(CONFIG3.7)	C0Uu 1UUUB	C0UU UUUUB		Y
WDCON1 (ABH)	0000 0000B				Y
ISPTRG (A4H)	XXXX XXX0B				Y
PMCR (A3H)	CXCC 10XXB b[7:4]=CONFIG2	UXUU U0XXB		UXUU 10XXB	Y
CHPCON (9FH)	0000 00C0B b1(BS)=/CBS	000X XU00B			Y
SHBDA (9CH)	CONFIG1	Unchanged			Y
PCON (87H)	0001 000b	00uu 0000b	00uu 0000b (software/External reset)	00uu 0000b	N

Note: The writes of AAH and 55H should occur within 3 machine-cycles of each other. Interrupts should be disabled during this procedure to avoid delay between the two writes.



25 CONFIG Bits (CONFIG)

The N79E845/844/8432 has several hardware configuration bytes, called CONFIG bits, which are used to configure the hardware options such as the security bits, clock system source, and so on, which hardware options can be re-configured through the Programmer/Writer or ISP modes. The N79E845/844/8432 has four CONFIG bits those are CONFIG0~3. Several functions which are defined by certain CONFIG bits are also available to be re-configured by certain SFR bits. Therefore, there is a need to LOAD such CONFIG bits into respective SFR bits. Such loading will occur after resets. (Software reset will reload all CONFIG bits except CBS bit in CONFIG0.7) These SFR bits can be continuously controlled via user's software. Other resets will remain the values in these SFR bits unchanged.

Note: CONFIG bits marked as "-" should always keep unprogrammed.

25.1 CONFIG0

7	6	5	4	3	2	1	0
CBS	-	-	-	-	-	LOCK	DFEN
R/W	-	-	-	-	-	R/W	R/W

Unprogrammed value: 1111 1111B

Bit	Name	Description
7	CBS	<p>CONFIG Boot Selection</p> <p>This bit defines from which block MCU boots after all resets except software reset.</p> <p>1 = MCU will boot from APROM after all resets except software reset.</p> <p>0 = MCU will boot from LDROM after all resets except software reset.</p>
6:2	-	Reserved
1	LOCK	<p>Chip Lock Enable</p> <p>1 = Chip is unlocked. All of APROM, LDROM, and Data Flash are not locked. Their contents can be read out through a parallel Programmer/Writer.</p> <p>0 = Chip is locked. APROM, LDROM, and Data Flash are locked. Their contents read through parallel Programmer/Writer will become FFH.</p> <p>Note that CONFIG bytes are always unlocked and can be read. Hence, once the chip is locked, the CONFIG bytes cannot be erased or programmed individually. The only way to disable chip lock is to use the whole chip erase mode. However, all data within APROM, LDROM, Data Flash, and other CONFIG bits will be erased when this procedure is executed.</p> <p>If the chip is locked, it does not alter the ISP function.</p>

Bit	Name	Description
0	DFEN	Data Flash Enable (N79E845 Only) 1 = There is no Data Flash space. The APROM size is 16 Kbytes. 0 = Data Flash exists. The Data Flash and APROM share 16 Kbytes depending on SHBDA settings.

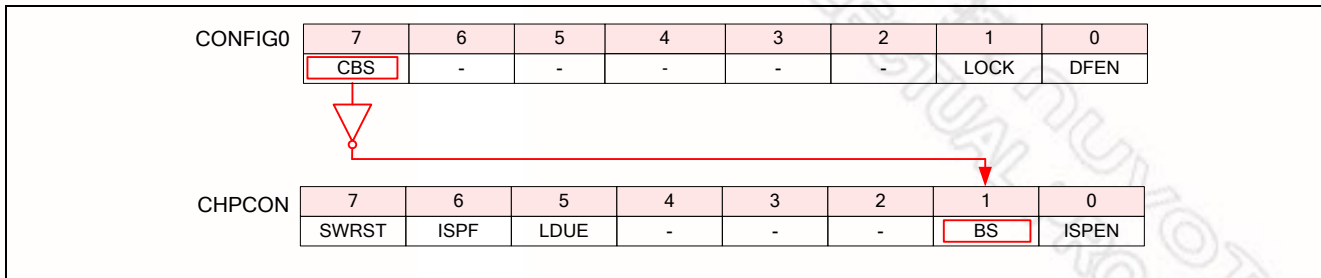


Figure 25-1 CONFIG0 Reset Reloading Except Software Reset

25.2 CONFIG1 (N79E845 Only)

7	6	5	4	3	2	1	0
CHBDA[7:0] ^[1]							
R/W							

Unprogrammed value: 1111 1111B

Bit	Name	Description
7:0	CHBDA[7:0]	CONFIG High Byte of Data Flash Starting Address This byte is valid only when DFEN (CONFIG0.0) is 0. It is used to determine the starting address of the Data Flash.

Note: There will be no APROM if setting CHBDA 00H. CPU will execute codes in minimum size(256B) of internal Program Memory.

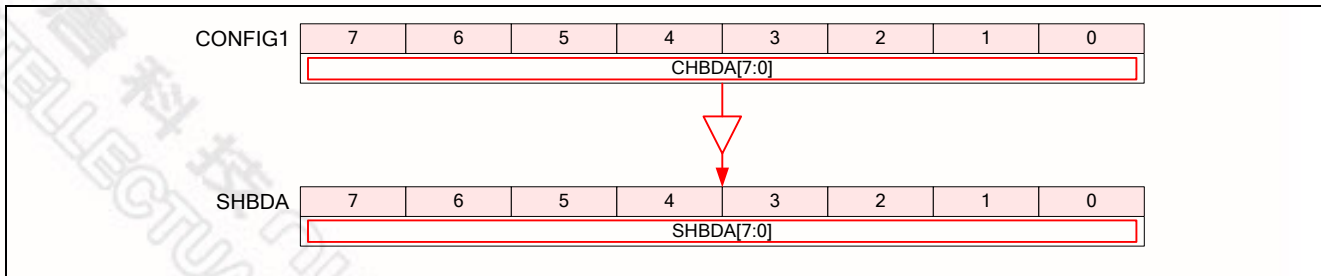


Figure 25-2 CONFIG1 Reset Reloading

25.3 CONFIG2

7	6	5	4	3	2	1	0
CBODEN	CBOV	-	CBORST	-	-	-	-
R/W	R/W	-	R/W	-	-	-	-

Unprogrammed value: 1111 1111B

Bit	Name	Description									
7	CBODEN	CONFIG BOD Detection Enable 1 = Disable BOD detection. 0 = Enable BOD detection. BODEN is initialized by inverted CBODEN (CONFIG2, bit-7) at any resets.									
6	CBOV	CONFIG BOD Voltage Selection This bit selects one of two BOD voltage level. <table border="1" style="margin-left: 20px;"> <thead> <tr> <th>CONFIG-bits CBOV</th> <th>SFR BOV</th> <th>BOD Voltage</th> </tr> </thead> <tbody> <tr> <td>1</td> <td>0</td> <td>Enable BOD= 2.7V</td> </tr> <tr> <td>0</td> <td>1</td> <td>Enable BOD= 3.8V</td> </tr> </tbody> </table>	CONFIG-bits CBOV	SFR BOV	BOD Voltage	1	0	Enable BOD= 2.7V	0	1	Enable BOD= 3.8V
CONFIG-bits CBOV	SFR BOV	BOD Voltage									
1	0	Enable BOD= 2.7V									
0	1	Enable BOD= 3.8V									
5	-	Reserved									
4	CBORST	CONFIG BOD Reset Enable This bit decides if a BOD reset is caused after a BOD event. 1 = Enable BOD reset when V_{DD} drops below V_{BOD} or V_{DD} rises above V_{BOD} . 0 = Disable BOD reset when V_{DD} drops below V_{BOD} or V_{DD} rises above V_{BOD} .									
3:0	-	Reserved									

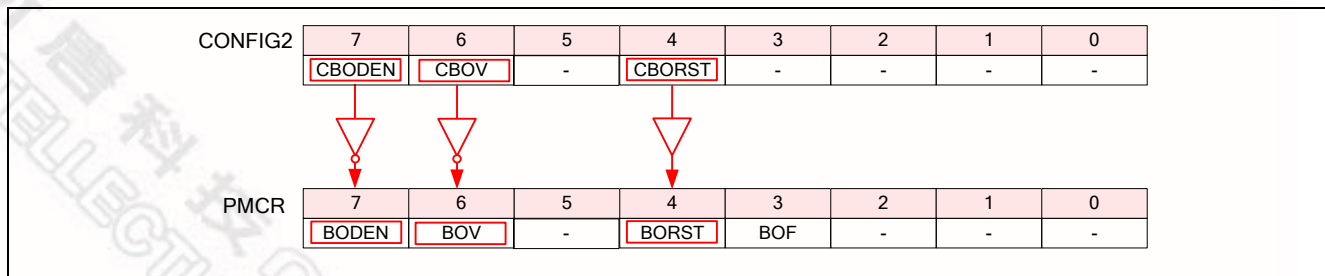


Figure 25-3 CONFIG2 Reset Reloading



25.4 CONFIG3

7	6	5	4	3	2	1	0
CWDTEN	-	-	CKF	OSCFS	-	FOSC1	FOSC0
R/W	-	-	R/W	R/W	-	R/W	R/W

Unprogrammed value: 1111 1111B

Bit	Name	Description									
7	CWDTEN	<p>CONFIG Watchdog Timer Enable</p> <p>1 = Disable Watchdog Timer after all resets.</p> <p>0 = Enable Watchdog Timer after all resets.</p> <p>WDTEN is initialized by inverted CWDTEN (CONFIG3, bit-7) at any other resets.</p>									
6	-	Reserved									
5	-	Reserved									
4	CKF	<p>Clock Filter Enable</p> <p>1 = Enable clock filter. It increases noise immunity and EMC capacity.</p> <p>0 = Disable clock filter.</p>									
3	OSCFS	<p>Internal RC Oscillator Frequency Selection</p> <p>1 = Select 22.1184 MHz as the clock system if internal RC oscillator mode is used. It bypasses the divided-by-2 path of internal oscillator to select 22.1184MHz output as the clock system source.</p> <p>0 = Select 11.0592 MHz as the clock system if internal RC oscillator mode is used. The internal RC divided-by-2 path is selected. The internal oscillator is equivalent to 11.0592 MHz output used as the clock system.</p>									
2	-	Reserved									
1	FOSC1	Oscillator Select Bit									
0	FOSC0	<p>Chip Clock Source Selection (See the Following Table)</p> <table border="1"> <thead> <tr> <th>(FOSC1, FOSC0)</th> <th>Chip Clock Source</th> </tr> </thead> <tbody> <tr> <td>(1, 1)</td> <td>Internal RC oscillator</td> </tr> <tr> <td>(1, 0)</td> <td>Reserved</td> </tr> <tr> <td>(0, 0)</td> <td rowspan="2">External crystal, 4 MHz ~ 24 MHz</td> </tr> <tr> <td>(0, 1)</td> </tr> </tbody> </table>	(FOSC1, FOSC0)	Chip Clock Source	(1, 1)	Internal RC oscillator	(1, 0)	Reserved	(0, 0)	External crystal, 4 MHz ~ 24 MHz	(0, 1)
(FOSC1, FOSC0)	Chip Clock Source										
(1, 1)	Internal RC oscillator										
(1, 0)	Reserved										
(0, 0)	External crystal, 4 MHz ~ 24 MHz										
(0, 1)											

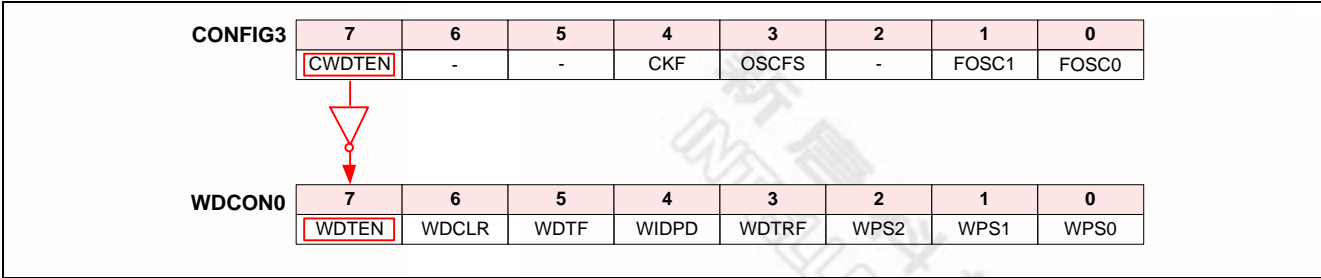


Figure 25-4 CONFIG3 Reset Reloading

26 Instruction Sets

The N79E845/844/8432 executes all the instructions of the standard 8051 family. All instructions are coded within an 8-bit field called an OPCODE. This single byte should be fetched from Program Memory. The OPCODE is decoded by the CPU. It determines what action the microcontroller will take and whether more operation data is needed from memory. If no other data is needed, then only one byte was required. Thus the instruction is called a one byte instruction. In some cases, more data is needed, which will be two or three byte instructions.

[Table 26-1](#) lists all instructions in details. The note of the instruction sets and addressing modes are shown below.

Rn (n = 0~7)	Register R0~R7 of the currently selected Register Bank.
	Direct 8-bit internal data location's address. This could be an internal data RAM location (0~127) or a SFR (e.g. I/O port, control register, status register, etc.) (128~255).
@Ri (i = 0, 1)	8-bit internal data RAM location (0~255) addressed indirectly through register R0 or R1.
#data	8-bit constant included in the instruction.
#data16	16-bit constant included in the instruction.
addr16	16-bit destination address. Used by LCALL and LJMP. A branch can be any within the 16 Kbytes Program Memory address space.
addr11	11-bit destination address. Used by ACALL and AJMP. The branch will be within the same 2 Kbytes page of Program Memory as the first byte of the following instruction.
rel	Signed (2's complement) 8-bit offset byte. Used by SJMP and all conditional branches. The range is -128 to +127 bytes relative to first byte of the following instruction.
bit	Direct addressed bit in internal data RAM or SFR.

Table 26-1 Instruction Set for the N79E845/844/8432

Instruction	OPCODE	Bytes	Clock Cycles	N79E845/844/8432 vs. Tradition 80C51 Speed Ratio
NOP	00	1	4	3.0
ADD A, Rn	28~2F	1	4	3.0
ADD A, @Ri	26, 27	1	4	3.0
ADD A, direct	25	2	8	1.5
ADD A, #data	24	2	8	1.5
ADDC A, Rn	38~3F	1	4	3.0
ADDC A, @Ri	36, 37	1	4	3.0
ADDC A, direct	35	2	8	1.5
ADDC A, #data	34	2	8	1.5
SUBB A, Rn	98~9F	1	4	3.0



Table 26–1 Instruction Set for the N79E845/844/8432

Instruction	OPCODE	Bytes	Clock Cycles	N79E845/844/8432 vs. Tradition 80C51 Speed Ratio
SUBB A, @Ri	96, 97	1	4	3.0
SUBB A, direct	95	2	8	1.5
SUBB A, #data	94	2	8	1.5
INC A	04	1	4	3.0
INC Rn	08–0F	1	4	3.0
INC @Ri	06, 07	1	4	3.0
INC direct	05	2	8	1.5
INC DPTR	A3	1	8	3.0
DEC A	14	1	4	3.0
DEC Rn	18–1F	1	4	3.0
DEC @Ri	16, 17	1	4	3.0
DEC direct	15	2	8	1.5
DEC DPTR	A5	1	8	-
MUL AB	A4	1	20	2.4
DIV AB	84	1	20	2.4
DA A	D4	1	4	3.0
ANL A, Rn	58–5F	1	4	3.0
ANL A, @Ri	56, 57	1	4	3.0
ANL A, direct	55	2	8	1.5
ANL A, #data	54	2	8	1.5
ANL direct, A	52	2	8	1.5
ANL direct, #data	53	3	12	2.0
ORL A, Rn	48–4F	1	4	3.0
ORL A, @Ri	46, 47	1	4	3.0
ORL A, direct	45	2	8	1.5
ORL A, #data	44	2	8	1.5
ORL direct, A	42	2	8	1.5
ORL direct, #data	43	3	12	2.0
XRL A, Rn	68–6F	1	4	3.0
XRL A, @Ri	66, 67	1	4	3.0
XRL A, direct	65	2	8	1.5
XRL A, #data	64	2	8	1.5
XRL direct, A	62	2	8	1.5
XRL direct, #data	63	3	12	2.0
CLR A	E4	1	4	3.0
CPL A	F4	1	4	3.0
RL A	23	1	4	3.0
RLC A	33	1	4	3.0
RR A	03	1	4	3.0
RRC A	13	1	4	3.0



Table 26–1 Instruction Set for the N79E845/844/8432

Instruction	OPCODE	Bytes	Clock Cycles	N79E845/844/8432 vs. Tradition 80C51 Speed Ratio
SWAP A	C4	1	4	3.0
MOV A, Rn	E8–EF	1	4	3.0
MOV A, @Ri	E6, E7	1	4	3.0
MOV A, direct	E5	2	8	1.5
MOV A, #data	74	2	8	1.5
MOV Rn, A	F8–FF	1	4	3.0
MOV Rn, direct	A8–AF	2	8	3.0
MOV Rn, #data	78–7F	2	8	1.5
MOV @Ri, A	F6, F7	1	4	3.0
MOV @Ri, direct	A6, A7	2	8	3.0
MOV @Ri, #data	76, 77	2	8	1.5
MOV direct, A	F5	2	8	1.5
MOV direct, Rn	88–8F	2	8	3.0
MOV direct, @Ri	86, 87	2	8	3.0
MOV direct, direct	85	3	12	2.0
MOV direct, #data	75	3	12	2.0
MOV DPTR, #data16	90	3	12	2.0
MOVC A, @A+DPTR	93	1	8	3.0
MOVC A, @A+PC	83	1	8	3.0
MOVX A, @Ri ^[1]	E2, E3	1	8	3.0
MOVX A, @DPTR ^[1]	E0	1	8	3.0
MOVX @Ri, A ^[1]	F2, F3	1	8	3.0
MOVX @DPTR, A ^[1]	F0	1	8	3.0
PUSH direct	C0	2	8	3.0
POP direct	D0	2	8	3.0
XCH A, Rn	C8–CF	1	4	3.0
XCH A, @Ri	C6, C7	1	4	3.0
XCH A, direct	C5	2	8	1.5
XCHD A, @Ri	D6, D7	1	4	3.0
CLR C	C3	1	4	3.0
CLR bit	C2	2	8	1.5
SETB C	D3	1	4	3.0
SETB bit	D2	2	8	1.5
CPL C	B3	1	4	3.0
CPL bit	B2	2	8	1.5
ANL C, bit	82	2	8	3.0
ANL C, /bit	B0	2	8	3.0
ORL C, bit	72	2	8	3.0
ORL C, /bit	A0	2	8	3.0
MOV C, bit	A2	2	8	1.5

Table 26–1 Instruction Set for the N79E845/844/8432

Instruction	OPCODE	Bytes	Clock Cycles	N79E845/844/8432 vs. Tradition 80C51 Speed Ratio
MOV bit, C	92	2	8	3.0
ACALL addr11	11, 31, 51, 71, 91, B1, D1, F1 ^[2]	2	12	2.0
LCALL addr16	12	3	16	1.5
RET	22	1	8	3.0
RETI	32	1	8	3.0
AJMP addr11	01, 21, 41, 61, 81, A1, C1, E1	2	12	2.0
LJMP addr16	02	3	16	1.5
JMP @A+DPTR	73	1	8	3.0
SJMP rel	80	2	12	2.0
JZ rel	60	2	12	2.0
JNZ rel	70	2	12	2.0
JC rel	40	2	12	2.0
JNC rel	50	2	12	2.0
JB bit, rel	20	3	16	1.5
JNB bit, rel	30	3	16	1.5
JBC bit, rel	10	3	16	1.5
CJNE A, direct, rel	B5	3	16	1.5
CJNE A, #data, rel	B4	3	16	1.5
CJNE @Ri, #data, rel	B6, B7	3	16	1.5
CJNE Rn, #data, rel	B8~BF	3	16	1.5
DJNZ Rn, rel	D8~DF	2	12	2.0
DJNZ direct, rel	D5	3	16	1.5

[1] The most three significant bits in the 11-bit address [A10:A8] decide the ACALL hex code. The code will be [A10,A9,A8,1,0,0,0,1].

[2] The most three significant bits in the 11-bit address [A10:A8] decide the AJMP hex code. The code will be [A10,A9,A8,0,0,0,0,1].

27 In-Circuit Program (ICP)

The ICP (In-Circuit-Program) mode is another approach to access the Flash EPROM. There are only 3 pins needed to perform the ICP function. One is input /RST pin, which should be fed to GND in the ICP working period. One is clock input, shared with P1.7, which accepts serial clock from external device. Another is data I/O pin, shared with P1.6, that an external ICP program tool shifts in/out data via P1.6 synchronized with clock(P1.7) to access the Flash EPROM of the N79E845/844/8432.

Upon entry into ICP program mode, all pin will be set to quasi-bidirectional mode, and output to level “1”. The N79E845/844/8432 supports programming of Flash EPROM (16K/8K/4K bytes APROM EPROM), Data Flash memory (128 bytes per page) and LDROM. User has the option to program the APROM, Data Flash and LDROM.

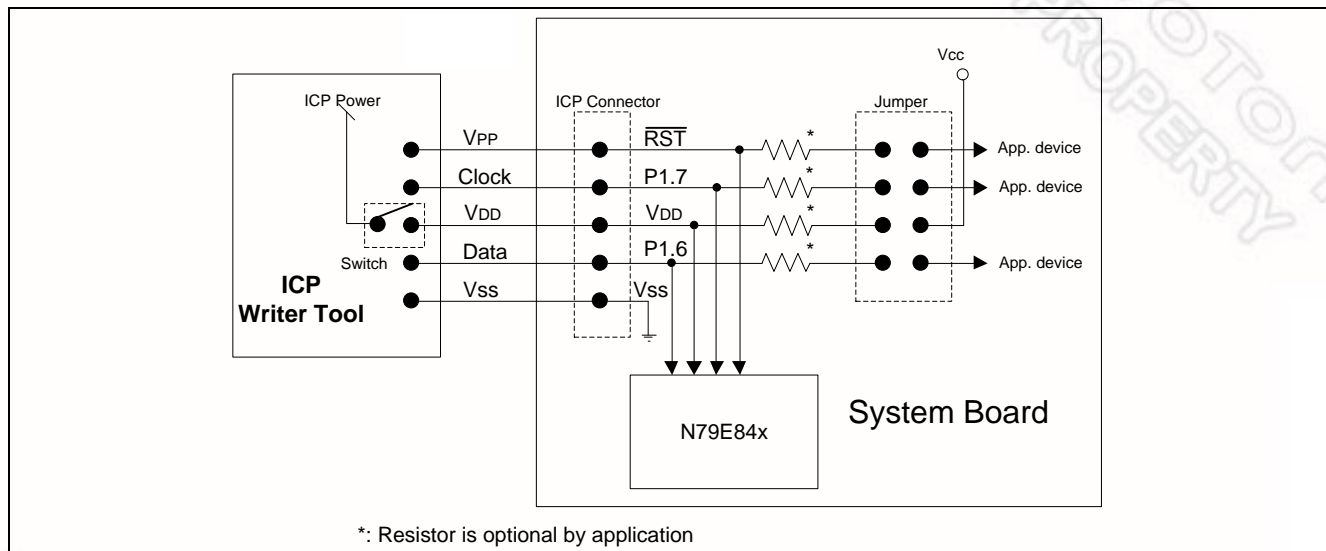


Figure 27-1 ICP Connection with N79E84xA

Note:

1. When using ICP to upgrade code, the /RST, P1.6 and P1.7 should be taken within design system board.
2. After program finished by ICP, to suggest system power should power off and remove ICP connector then power on.
3. It is recommended that user performs erase function and programming configure bits continuously without any interruption.

User may refer to the following website for ICP Program Tool. In item1, please select “Nuvoton ISP-ICP Programmer”.

1. http://www.nuvoton.com/NuvotonMOSS/Community/ProductInfo.aspx?tp_GUID=670aaf31-5d5c-45d3-8a9e-040e148d55cf



Figure 27–2 Nuvoton ISP-ICP Programmer



28 Electrical Characteristics

28.1 Absolute Maximum Ratings

Table 28-1 Absolute Maximum Ratings

Parameter	Rating	Unit
Operating temperature under bias	-40 to +85	°C
Storage temperature range	-55 to +150	°C
Voltage on V _{DD} pin to V _{SS}	-0.3 to +6.5	V
Voltage on any other pin to V _{SS}	-0.3 to (V _{DD} +0.3)	V

Stresses at or above those listed under “Absolute Maximum Ratings” may cause permanent damage to the device. This is a stress rating only and functional operation of the device at these or any other conditions above those indicated in the operational sections of this specification is not implied. Exposure to absolute maximum rating conditions may affect device reliability.

28.2 DC Electrical Characteristics

Table 28-2 Operation Voltage

Parameter	Sym	MIN	TYP	MAX	Condition	Unit
Operating Voltage	V _{DD}	4.5		5.5	F _{osc} = 4MHz ~ 24MHz	V
		2.4		5.5	F _{osc} = 4MHz ~ 12MHz	
		3.0		5.5	Internal RC 22.1184MHz	
		2.4		5.5	Internal RC 11.0592MHz	
ISP Operating Voltage	V _{DD}	3.0		5.5	F _{osc} = 4MHz ~ 24MHz	V

Table 28-3 DC Characteristics

(V_{DD}-V_{SS} = 2.4~5.5V, TA = -40~85°C, unless otherwise specified.)

Sym	Parameter	Test Conditions	MIN	TYP	MAX	Unit
S _{VDD}	V _{DD} Rise Rate to ensure internal Power-on Reset signal	See section on Power-on Reset for details	0.05 ^[7]	-	-	V/ms
V _{IL}	Input Low Voltage (general purpose I/O with TTL input)	2.4 < V _{DD} < 5.5V	-0.5		0.2V _{DD} -0.1	V



Table 28–3 DC Characteristics

(V_{DD}-V_{SS} = 2.4~5.5V, TA = -40~85°C, unless otherwise specified.)

Sym	Parameter	Test Conditions	MIN	TYP	MAX	Unit
V _{IL1}	Input Low Voltage (general purpose I/O with Schmitt trigger input)	2.4 < V _{DD} < 5.5V	-0.5		0.3V _{DD}	V
V _{IL2}	Input Low Voltage (/RST, XTAL1)	2.4 < V _{DD} < 5.5V	-0.5		0.2V _{DD} -0.1	V
V _{IH}	Input High Voltage (general purpose I/O with TTL input)	2.4 < V _{DD} < 5.5V	0.2V _{DD} +0.9		V _{DD} +0.5	V
V _{IH1}	Input High Voltage (general purpose I/O with Schmitt trigger input)	2.4 < V _{DD} < 5.5V	0.7V _{DD}		V _{DD} +0.5	V
V _{IH2}	Input High Voltage (/RST, XTAL1)	2.4 < V _{DD} < 5.5V	0.7V _{DD}		V _{DD} +0.5	V
V _{OL}	Output Low Voltage (general purpose I/O of P0,P3, all modes except input only)	V _{DD} =4.5V, I _{OL} = 20mA ^{[3], [4]}			0.45	V
		V _{DD} =3.0V, I _{OL} = 14mA ^{[3], [4]}			0.45	V
		V _{DD} =2.4V, I _{OL} = 10mA ^{[3], [4]}			0.45	V
V _{OL1}	Output Low Voltage (P10, P11, P14, P16, P17) (All modes except input only)	V _{DD} =4.5V, I _{OL} = 38mA ^{[3], [4]}			0.45	V
		V _{DD} =3.0V, I _{OL} = 27mA ^{[3], [4]}			0.45	V
		V _{DD} =2.4V, I _{OL} = 20mA ^{[3], [4]}			0.45	V
V _{OH}	Output High Voltage (general purpose I/O, quasi bidirectional)	V _{DD} =4.5V I _{OH} = -380μA ^[4]	2.4			V
		V _{DD} =3.0V I _{OH} = -90μA ^[4]	2.4			V
		V _{DD} =2.4V I _{OH} = -48μA ^[4]	2.0			V



Table 28–3 DC Characteristics

(V_{DD}-V_{SS} = 2.4~5.5V, TA = -40~85°C, unless otherwise specified.)

Sym	Parameter	Test Conditions	MIN	TYP	MAX	Unit
V _{OH1}	Output High Voltage (general purpose I/O, push-pull)	V _{DD} =4.5V I _{OH} = -28.0mA ^{[3], [4]}	2.4			V
		V _{DD} =3.0V I _{OH} = -7mA ^{[3], [4]}	2.4			V
		V _{DD} =2.4V I _{OH} = -3.5mA ^{[3], [4]}	2.0			V
I _{IL}	Logical 0 Input Current (general purpose I/O, quasi bi-direction)	V _{DD} =5.5V, V _{IN} =0.4V		-40 at 5.5V	-50	μA
I _{TL}	Logical 1 to 0 Transition Current (general purpose I/O, quasi bi-direction)	V _{DD} =5.5V, V _{IN} =2.0V ^[2]		-550 at 5.5V	-650	μA
I _{LI}	Input Leakage Current (general purpose I/O, open-drain or input only)	0 < V _{IN} < V _{DD}		<1	±10	μA
I _{OP}	OP Current (Active mode ^[5])	XTAL 12MHz, V _{DD} =5.0V		3.1		mA
		XTAL 24MHz, V _{DD} =5.5V		4.3		mA
		XTAL 12MHz, V _{DD} =3.3V		1.7		mA
		XTAL 24MHz, V _{DD} =3.3V		3.2		mA
		Internal 22.1184MHz, V _{DD} =5V		2.3		mA
		Internal 22.1184MHz, V _{DD} =3.3V		2.2		mA
I _{IDLE}	IDLE Current	XTAL 12MHz, V _{DD} =5.0V		2.7		mA
		XTAL 24MHz, V _{DD} =5.5V		3.7		mA



Table 28–3 DC Characteristics

(V_{DD}-V_{SS} = 2.4~5.5V, TA = -40~85°C, unless otherwise specified.)

Sym	Parameter	Test Conditions	MIN	TYP	MAX	Unit
		XTAL 12MHz, V _{DD} =3.3V		1.3		mA
		XTAL 24MHz, V _{DD} =3.3V		2.3		mA
		Internal 22.1184MHz, V _{DD} =5V		1.6		mA
		Internal 22.1184MHz, V _{DD} =3.3V		1.6		mA
I _{PD}	Power-down mode			<5	30	μA
	Power-down mode(BOD Enable)			100		μA
R _{RST}	RST-pin Internal Pull-High Resistor	2.4V < V _{DD} < 5.5V	100		250	KΩ
V _{BOD38}	BOD38 Detect Voltage (Temp.=25°C)		3.5	3.8	4.1	V
	BOD38 Detect Voltage (Temp.=85°C)		3.5	3.8	4.9	V
	BOD38 Detect Voltage (Temp.=-40°C)		3.0	3.8	4.1	V
V _{BOD27}	BOD27 Detect Voltage (Temp.=25°C)		2.5	2.7	2.9	V
	BOD27 Detect Voltage (Temp.=85°C)		2.5	2.7	3.1	V
	BOD27 Detect Voltage (Temp.=-40°C)		2.4	2.7	2.9	V

[1] Typical values are not guaranteed. The values listed are tested at room temperature and based on a limited number of samples.

[2] Pins of ports 0,1,3 source a transition current when they are being externally driven from 1 to 0. The transition current reaches its maximum value when V_{IN} is approximately 2V.

[3] Under steady state (non-transient) conditions, I_{OL}/I_{OH} should be externally limited as follows:



Maximum I_{OL}/I_{OH} of P0,P3 per port pin: 20 mA
 Maximum I_{OL}/I_{OH} of P10, P11, P14, P16, P17: 38 mA
 Maximum total I_{OL}/I_{OH} for all outputs: 100mA (Through V_{DD} total current)
 Maximum total I_{OL}/I_{OH} for all outputs: 150mA (Through V_{SS} total current)

[4] If I_{OH} exceeds the test condition, V_{OH} will be lower than the listed specification.
 If I_{OL} exceeds the test condition, V_{OL} will be higher than the listed specification.

[5] Tested while CPU is kept in reset state.

[6] general purpose I/O mean the general purpose I/O, such as P0, P1, P3.

[7] These parameters are characterized but not tested.

Other: P1.2 and P1.3 are open drain structure. They have not quasi or push pull modes.

28.3 AC Electrical Characteristics

28.3.1 10-bits SAR-ADC Specification

Table 28-4 Operation Voltage

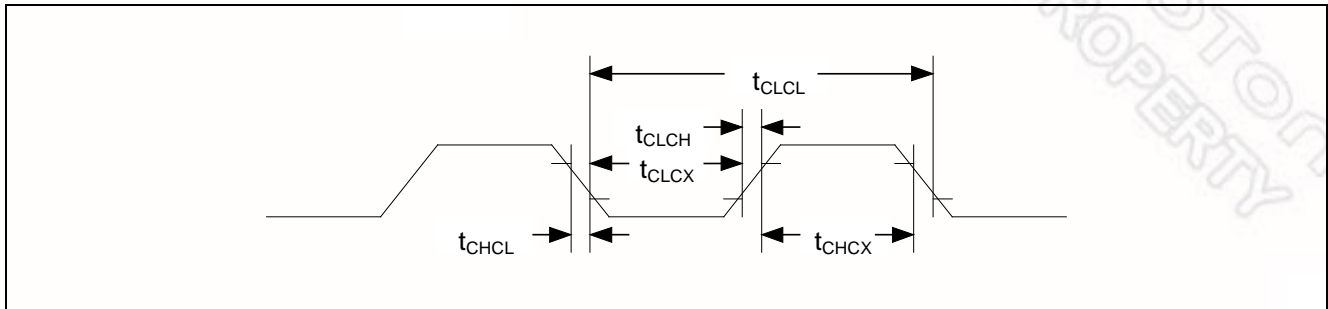
	Symbol	MIN	TYP	MAX	Unit
Operation voltage	V_{DD}	2.7		5.5	V
Resolution				10	bit
Conversion time			$35t_{ADC}^{[1]}$		us
Sampling rate				150K	Hz
Integral Non-Linearity Error	INL	-1		1	LSB
Differential Non-Linearity	DNL	-1		1	LSB
Gain error	G_e	-1		1	LSB
Offset error	O_{fe}	-4		4	LSB
Clock frequency	ADCCLK			5.25	MHz
Absolute error		-4		4	LSB
Band-gap	V_{BG}	1	1.3	1.6	V

[1] t_{ADC} The period time of ADC input clock

28.3.2 4 ~ 24 MHz XTAL Specifications

Parameter	Condition	MIN.	TYP.	MAX.	Unit
Input clock frequency	External crystal	4		24	MHz

Parameter	Symbol	MIN.	TYP.	MAX.	Units	Notes
External crystal Frequency	$1/t_{CLCL}$	4		24	MHz	
Clock High Time	t_{CHCX}	20.8	-	-	nS	
Clock Low Time	t_{CLCX}	20.8	-	-	nS	
Clock Rise Time	t_{CLCH}	-	-	10	nS	
Clock Fall Time	t_{CHCL}	-	-	10	nS	



Note: Duty cycle is 50%.

28.3.3 Internal RC Oscillator Specifications — 22.1184 MHz/11.0592 MHz

Parameter	Conditions	MIN.	TYP.	MAX.	Unit
Center Frequency			22.1184/11.0592		MHz
Internal Oscillator Frequency	+25°C at $V_{DD} = 5V$	-1		+1	%
	+25°C at $V_{DD} = 2.7\sim 5.5V$	-3		+3	%
	-10°C~+70°C at $V_{DD} = 2.7\sim 5.5V$	-5		+5	%
	-40°C~+85°C at $V_{DD} = 2.7\sim 5.5V$	-8		+8	%

28.3.4 Internal RC Oscillator Specifications — 10 kHz

Parameter	Condition	MIN.	TYP.	MAX.	Unit
Center Frequency	$V_{DD} = 2.4V \sim 5.5V$	5	10	15	kHz

29 Application Circuit for EMC Immunity

The application circuit is shown below. The user is recommended follow the circuit enclosed by gray blocks to achieve the most stable and reliable operation of MCU especially in a noisy power environment for a healthy EMC immunity. If internal RC oscillator is used as the clock system, 0.1μF capacitor should be added to gain a precise RC frequency.

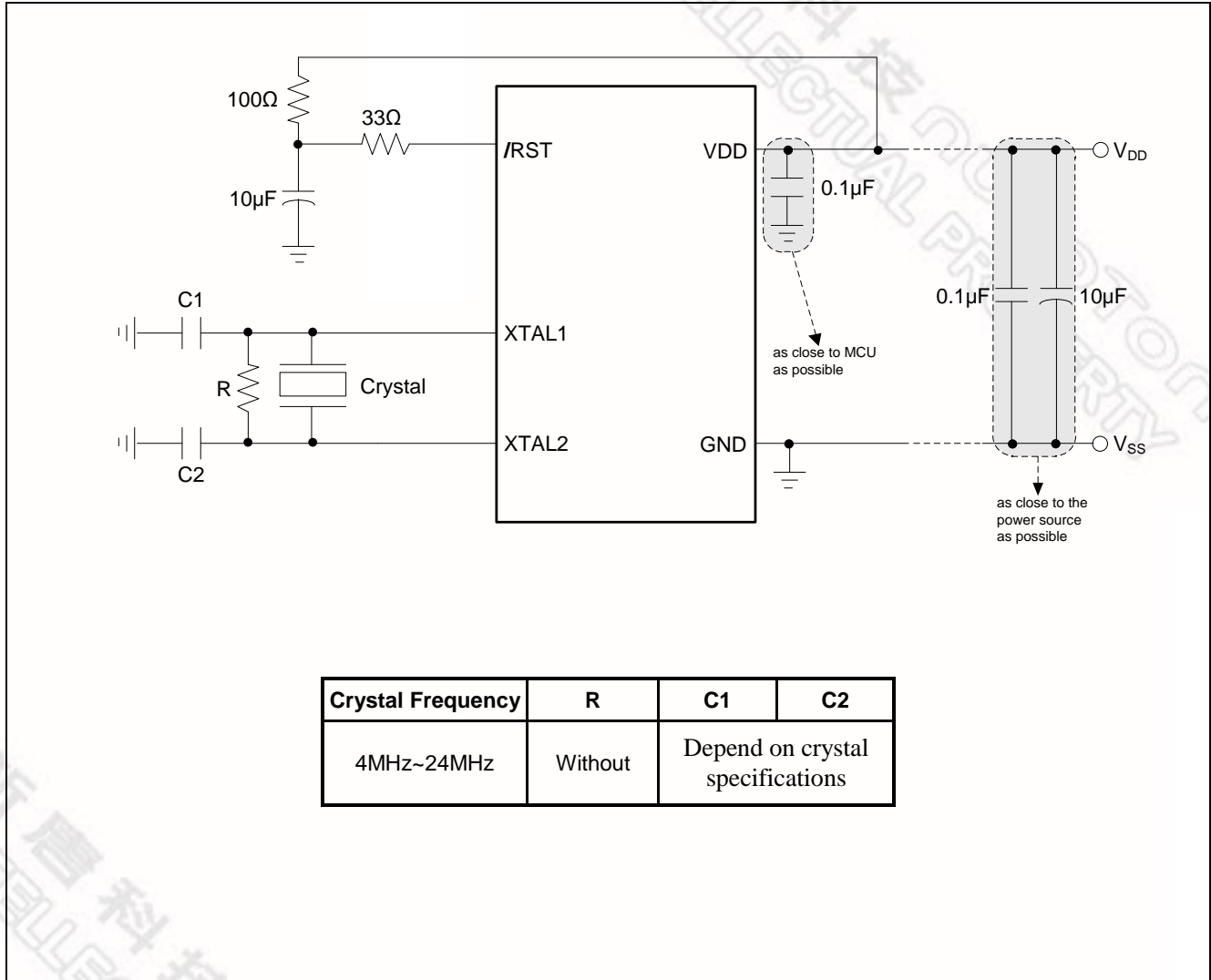
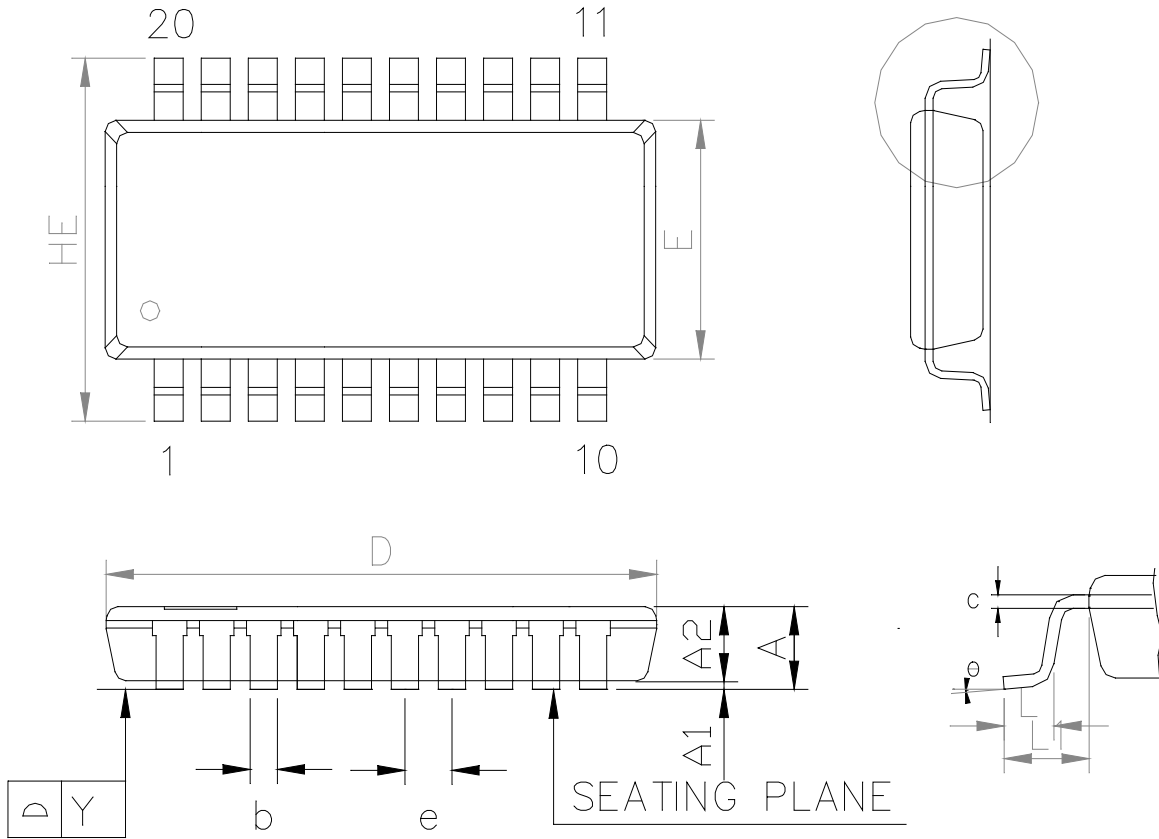


Figure 29-1 Application Circuit for EFT Improvement



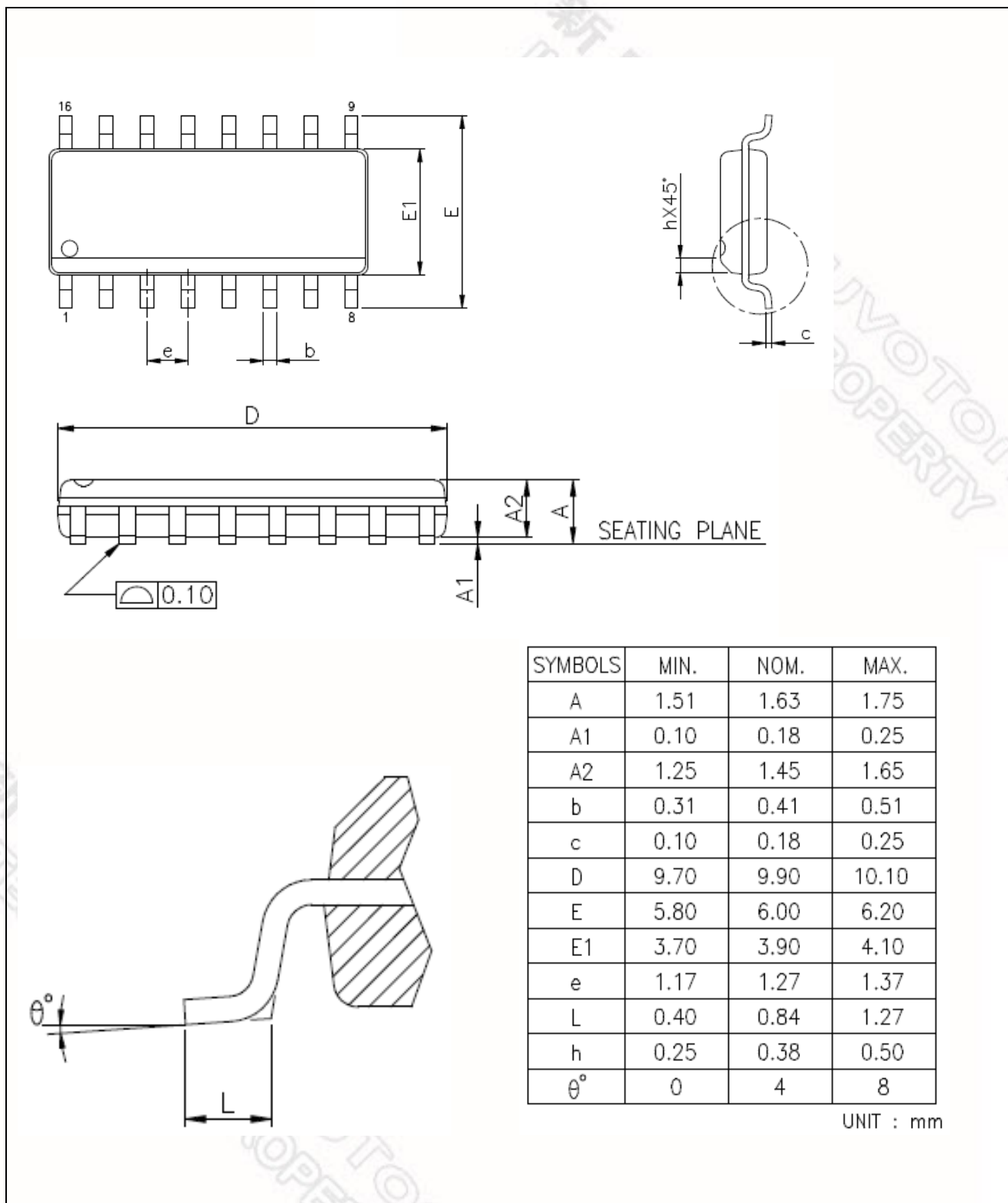
30 Package Dimensions

30.1 20-pin TSSOP - 4.4X6.5mm



SYMBOL	DIMENSION (MM)			DIMENSION (INCH)		
	MIN.	NOM.	MAX.	MIN.	NOM.	MAX.
A	-	-	1,20	-	-	0.047
A1	0,05	-	0,15	0.002	-	0.006
A2	0.80	0.90	1,05	0.031	0.035	0.041
E	4.30	4.40	4,50	0.169	0.173	0.177
HE	6.40 BSC			0.252 BSC		
D	6.40	6.50	6.60	0.252	0.256	0.260
L	0.50	0.60	0.75	0.020	0.024	0.030
L1	1.00 REF			0.039 REF		
b	0.19	-	0.30	0.007	-	0.012
e	0.65 BSC			0.026 BSC		
c	0.09	-	0.20	0.004	-	0.008
theta	0°	-	8°	0°	-	8°
Y	0.10 BASIC			0.004 BASIC		

30.2 16-pin SOP - 150 mil



31 Document Revision History

Revision	Date	Description
A1.0	-	Initial preliminary release
A2.0	2011/10/05	Revised typos
A2.1	2011/11/03	Removed the PDIP20 package Revised Table 12-3 Revised Figure 15-2
A2.2	2011/11/23	Revised Figure 29-1 Revised Chapter 22.1
A2.3	2012/02/16	Revised the following operation voltage: "V _{DD} = 2.4V to 5.5V at FOSC = 4~12MHz or Internal RC 11.0592MHz" Revised CONFIG3[1:0]=10B as a reserved item Revised operating and IDLE currents in Table 28-2 Revised Figure 24-1
A2.4	2012/05/11	Revised typos Revised BOD27/38 of Table 28-2 Revised P16/P17 of Table 5-1 Revised Figure 6-1 Removed the "N79E843A" part number Revised Chapter 21.2 Revised Chapter 27
A2.5	2012/06/26	Revised Chapter 2
A2.6	2014/04/23	Revised 20.2 ISP Command Table Revised ADC Demo Code Revised SOP16 package Removed SOP20 package

Important Notice

Nuvoton Products are neither intended nor warranted for usage in systems or equipment, any malfunction or failure of which may cause loss of human life, bodily injury or severe property damage. Such applications are deemed, "Insecure Usage".

Insecure usage includes, but is not limited to: equipment for surgical implementation, atomic energy control instruments, airplane or spaceship instruments, the control or operation of dynamic, brake or safety systems designed for vehicular use, traffic signal instruments, all types of safety devices, and other applications intended to support or sustain life.

All Insecure Usage shall be made at customer's risk, and in the event that third parties lay claims to Nuvoton as a result of customer's Insecure Usage, customer shall indemnify the damages and liabilities thus incurred by Nuvoton.

Please note that all data and specifications are subject to change without notice.
All the trademarks of products and companies mentioned in this datasheet belong to their respective owners.