

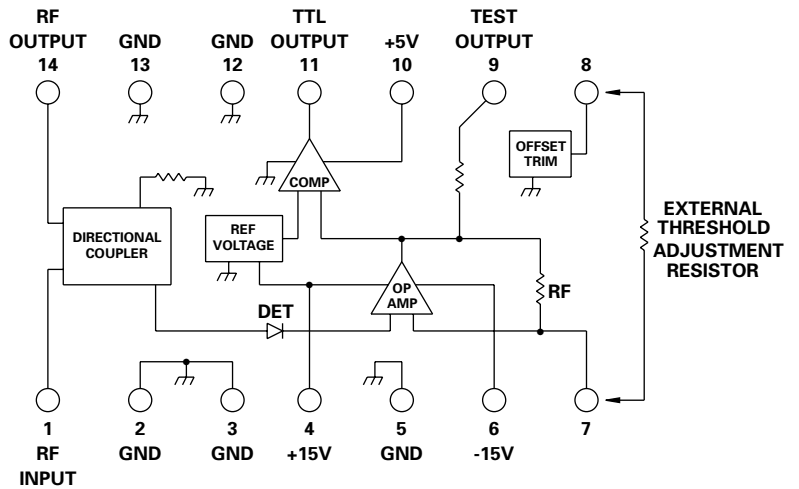
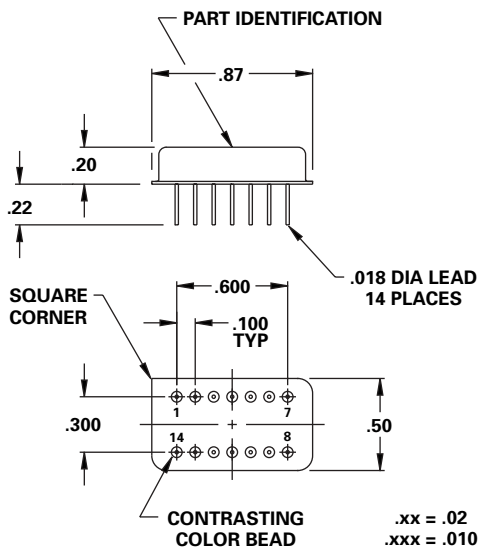
## FEATURES

- Integrated Coupler and Threshold Detector
- -20 to 0 dBm Dynamic Range
- Adjustable Threshold Level
- 0.2 dB Hysteresis
- 1 mA Sink/Source Current
- 14 Pin DIP



MODEL NO.  
DHD01988

Coupler / Threshold Detector



## GUARANTEED PERFORMANCE

| Parameter             | Min    | Typ   | Max   | Units | Conditions  |
|-----------------------|--------|-------|-------|-------|---|
| Operating Frequency   | 20     | 160   | 500   | MHz   |   |
| Dynamic Range         | -20    |       | 0     | dBm   | Via an External Resistor Control  |
| Hysteresis            |        | 0.2   | 1.2   | dB    |   |
| Temperature Stability |        | ±0.6  | ±1.5  | dB    |   |
| Insertion Loss        |        | 1.2   | 1.5   | dB    | 20 - 180 MHz  |
|                       |        | 1.4   | 1.8   | dB    | 180 - 500 MHz   |
| Input Flatness        |        | ±0.4  | ±1    | dB    |   |
| Response Time         |        | 3     |       | µSec  | 3 dB Above CW Threshold<br>At RF In to 90% / 10% or<br>10% / 90% At TTL Out |
| Input VSWR            |        | 1.1/1 | 1.3/1 |       |   |
| Output Current        | Source | 1     | 29    | mA    | VOH = +2.7 V  |
|                       | Sink   | 1     | 9     | mA    | VOL = +0.5 V  |
| DC Current            |        | 2     | 20    | mA    | At +5 VDC   |
|                       |        | 6     | 15    | mA    | At +15 VDC  |
|                       |        | 6     | 15    | mA    | At -15 VDC  |
| Operating Temperature | 0      | +25   | +50   | °C    | TA  |