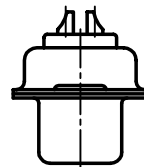
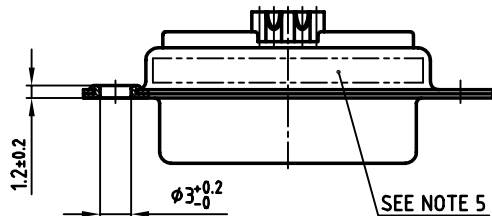
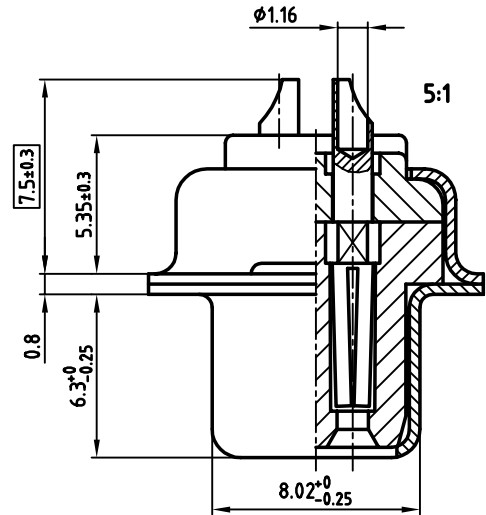
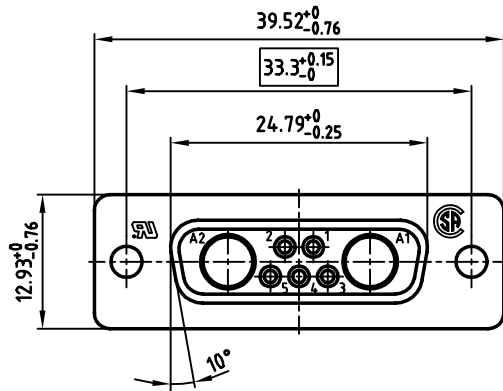


used for: D-SUB COMBINATION



NOTES:

1. METALSHELLS: STEEL; min. 320µ" TIN
2. INSULATORS: PBT GF UL 94 V-0, GREEN
3. SIGNAL CONTACTS: COPPER ALLOY
SOLDER CUP ACCEPTS CABLE AWG 20
4. PLATING: min. 30µ" HARD GOLD OVER min. 50µ" NICKEL
5. CONNECTOR IS PART MARKED: 3007W2SCM99A10X CONEC_Y/WW
6. = CRITICAL DIMENSION

THIS DRAWING MAY NOT BE COPIED OR REPRODUCED IN ANY WAY, AND MAY NOT BE PASSED ON TO A THIRD PARTY, WITHOUT WRITTEN PERMISSION. OWNERSHIP AND COPYRIGHT OF CONEC GmbH DO NOT ALTER CAD DRAWING BY HAND	tolerance				scale: 2:1
					material: SEE NOTES
	2002	date			D-SUB COMBINATION FEMALE 7W2S SOLDER CUP
	drawn	07.05.	name Parei		
	appd.	07.05.	E. Mickenbecker		
	norm				
				dwg no: AutoCAD 2000	
				DIN-A	
				3	
				sh: 1/1	
rev.	description	date	name		
				part no: 3007W2SCM99A10X	

Directive 2002/95/EC
 „RoHS“
 Compliant