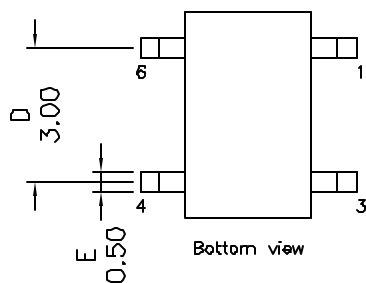
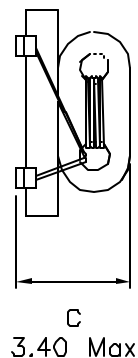
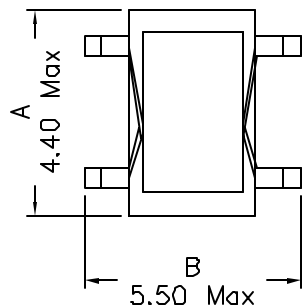


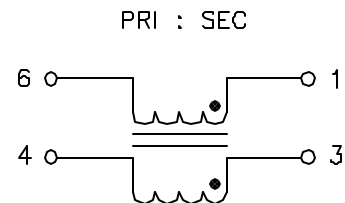
## 1. Mechanical Dimensions:



### Notes:

1. Solderability: Leads shall meet MIL-STD-202G, Method 208H for solderability.
2. Flammability: UL94V-0
3. ASTM oxygen index: > 28%
4. Insulation System: Class F 155°C. UL file E151556
5. Operating Temperature Range: All listed parameters are to be within tolerance from -40°C to +85°C
6. Storage Temperature Range: -55°C to +125°C
7. Aqueous wash compatible
8. SMD Lead Coplanarity:  $\pm 0.004^\circ$  (0.102mm)
9. Electrical and mechanical specifications 100% tested
10. RoHS Compliant Component

## 2. Schematic:



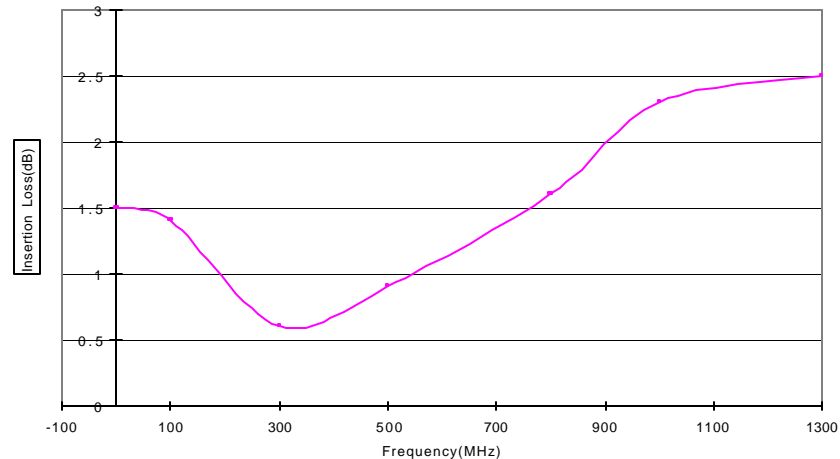
## 3. Electrical Specifications: @25°C

Number of Turns per Wdg.: 4.5T

Operating Frequency: 1MHz-3000MHz

Insertion Loss: 3.0dB Max

Initial Permiability: 300



DOC. REV: A/5

**PROPRIETARY** Document is the property of XFMRs Group & is not allowed to be duplicated without authorization.

<b>XFMRs Inc</b> www.XFMRs.com		Title: TRANSFORMER	
UNLESS OTHERWISE SPECIFIED TOLERANCES: $\pm 0.25$ Dimensions in MM	P/N: XFWBC1655	REV. A	
	DWN.	Mei Chen	Nov-11-10
SHEET 1 OF 1	CHK.	YK Liao	Nov-11-10
	APP.	Joe Huff	Nov-11-10