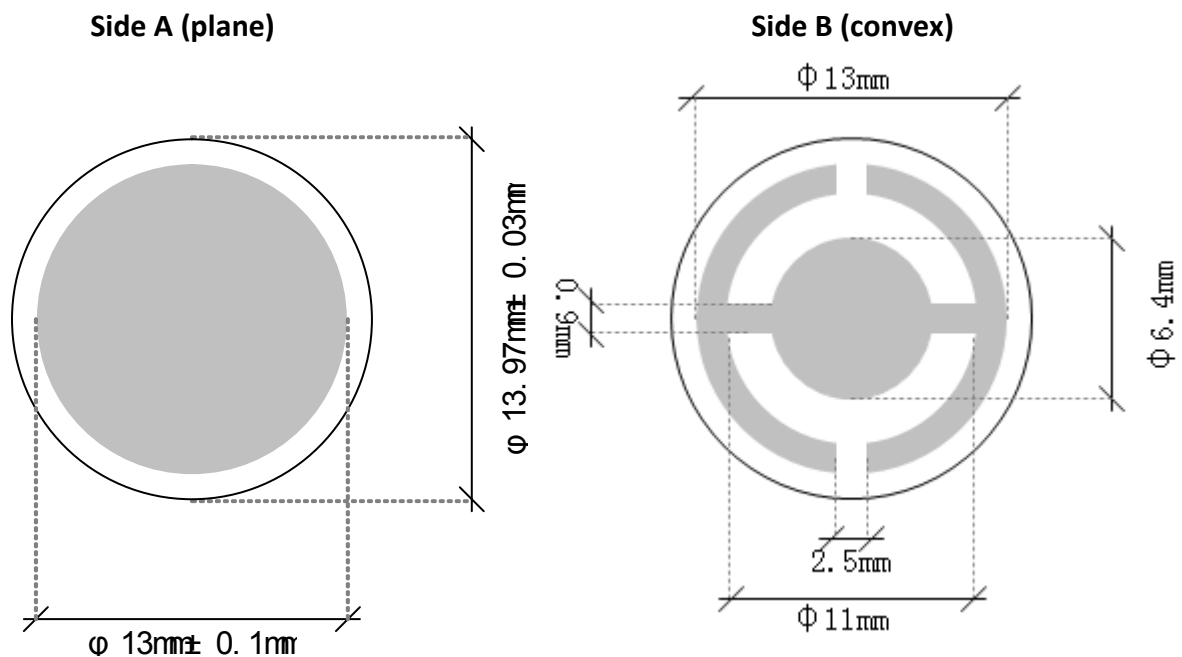


Specification	AXLCM610-Au	Rev: 2	Date: 2014-06-02
---------------	-------------	--------	------------------

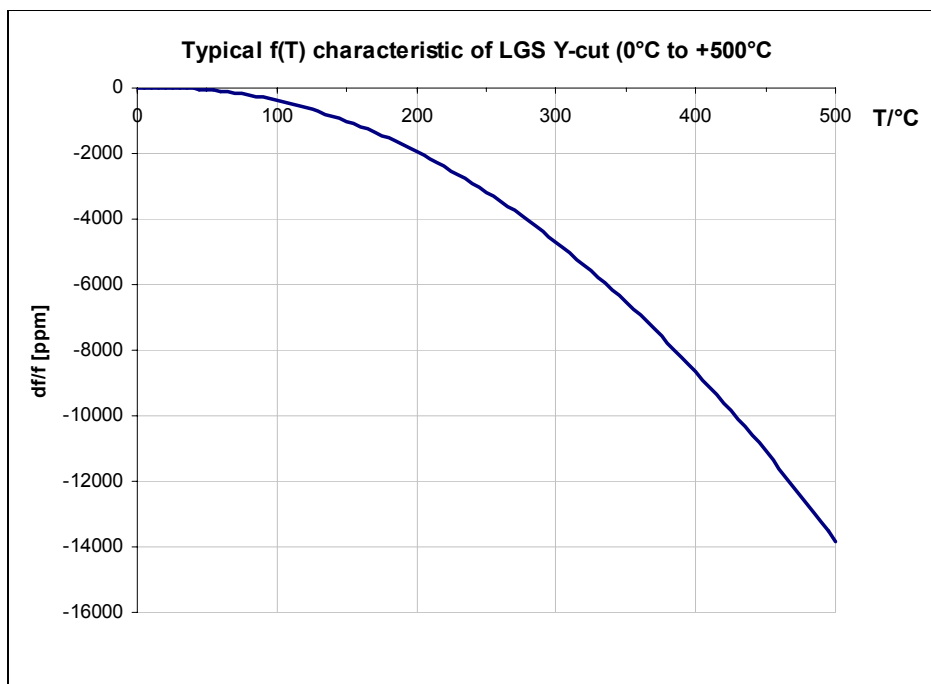
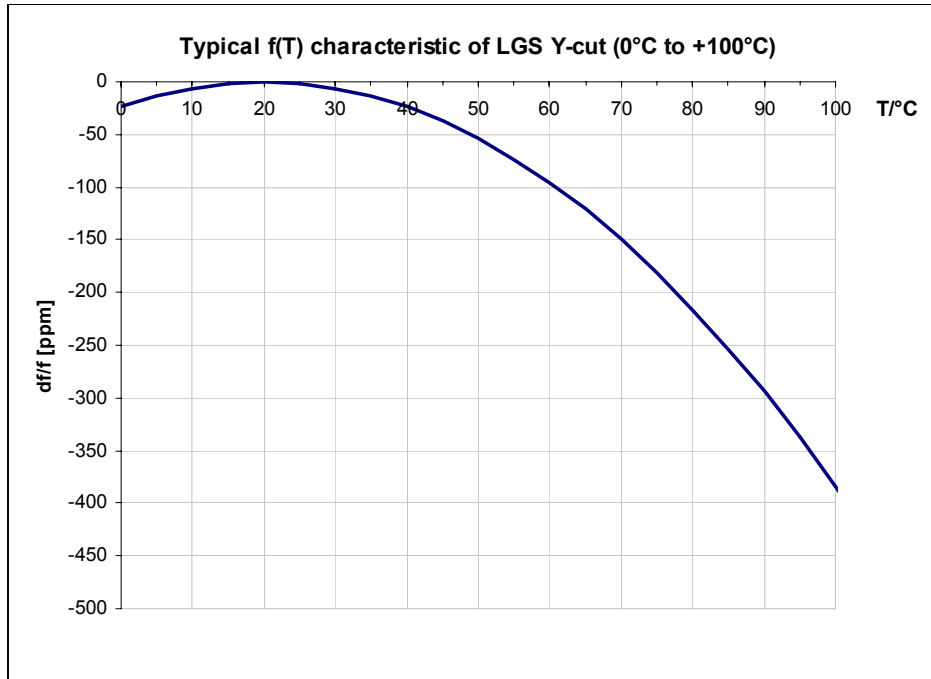
Type : **Langasite Crystal Microbalance Element (Monitor Crystal)**  
**QCM for High Temperature Applications up to 500°C**

Parameter	min.	typ.	max.	Unit	Condition
Nominal frequency	6.000			MHz	
Adjustment frequency	6.000			MHz	
Crystal cut	Y ± 0.1°				
Overtone	1				
Adjustment tolerance	-15		+15	kHz	@ 25°C
Frequency stability					
Over operating temperature range				ppm	See charts page 2
Resonance resistance R <sub>r</sub>		10	50	Ω	
Motional capacitance C <sub>1</sub>				fF	
Shunt capacitance C <sub>0</sub>			7	pF	
Drive level		100		μW	
Operating temperature range	0		+500	°C	
Storage temperature range	-40		+550	°C	
QCM diameter	13.97±0.03			mm	
Contour	Plano-convex				
Blank surface quality	Fine lapped				
Electrode diameter Side A	13.0 ± 0.1			mm	Fully plated
Electrode material Side A	Cr-Au				
Electrode diameter Side B	6.4			mm	See drawing
Electrode material Side B	Cr-Au				



### Ordering Code:

Model (Specification)	Frequency [MHz]
AXLCM610-Au	6.000



### Revision History

Rev.	Drawing	Date [dd.mm.yyyy]	Remarks	Author	Checked
1.		04.07.2013		BN	BN
2	D1	02.06.2014	Operating temperature extended. Editorial changes	BN	BN