

SWITCHING TYPE POWER SUPPLY APPLICATIONS.

FEATURES

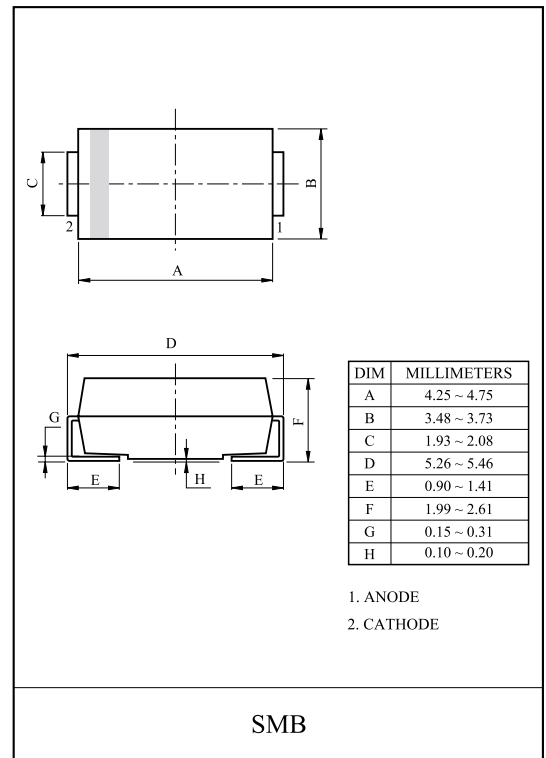
- Low Profile Surface Mount Package.
- Low Power Loss, High Efficiency.
- For Use in Low Voltage, High Frequency inverters, Free Wheeling, and Polarity Protection Applications.

APPLICATION

- Switching Power Supply.
- DC/DC Converter.
- Home Appliances, Office Equipment.
- Telecommunication.

MAXIMUM RATING (Ta=25°C)

| CHARACTERISTIC | SYMBOL | RATING | UNIT |
|--|------------------|-----------|------|
| Maximum Repetitive Peak Reverse Voltage | V _{RRM} | 60 | V |
| Average Output Rectified Current | I _O | 3 | A |
| Peak One Cycle Surge Forward Current (Non-Repetitive 60Hz) | I _{FSM} | 100 | A |
| Junction Temperature | T _j | 100 | °C |
| Storage Temperature Range | T _{stg} | -40 ~ 150 | °C |

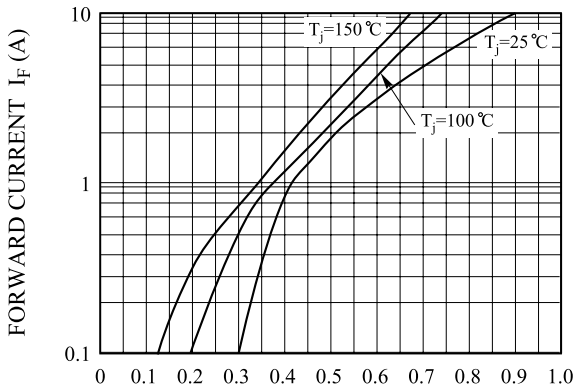


ELECTRICAL CHARACTERISTICS (Ta=25°C)

| CHARACTERISTIC | SYMBOL | TEST CONDITION | MIN. | TYP. | MAX. | UNIT |
|---------------------------------|----------------------|--|------|------|------|------|
| Peak Forward Voltage | V _{FM} | I _{FM} =3.0A | - | - | 0.65 | V |
| Repetitive Peak Reverse Current | I _{RRM} | V _{RRM} =Rated, T _j =25°C | - | - | 0.1 | mA |
| | | V _{RRM} =Rated, T _j =100°C | - | - | 10 | mA |
| Total Capacitance | C _T | V _R =4V, f=1MHz | - | - | 250 | pF |
| Thermal Resistance | R _{th(j-l)} | Junction to lead | - | - | 15 | °C/W |

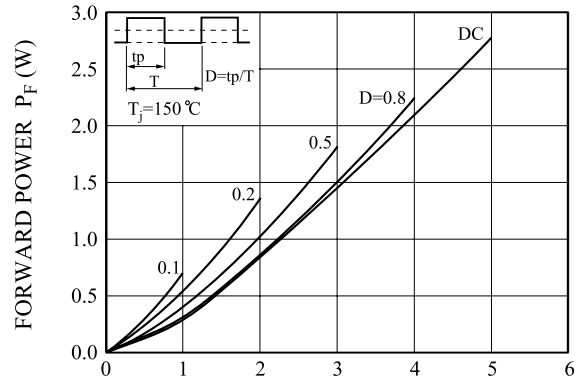
SMBB36

$I_F - V_F$



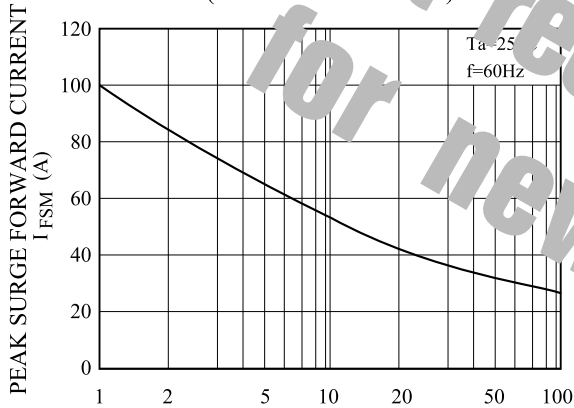
FORWARD VOLTAGE V_F (V)

$P_F - I_F$



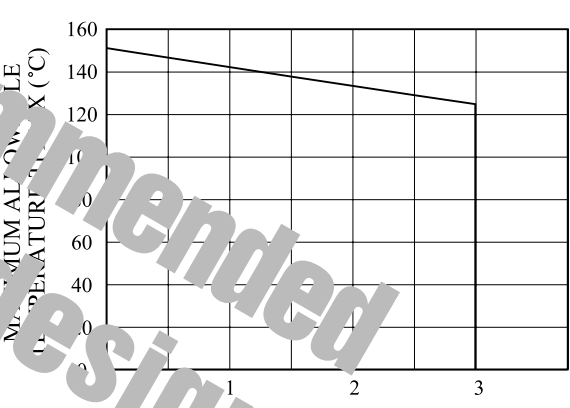
FORWARD CURRENT I_F (A)

SURGE FORWARD CURRENT (NON-REPETITIVE)



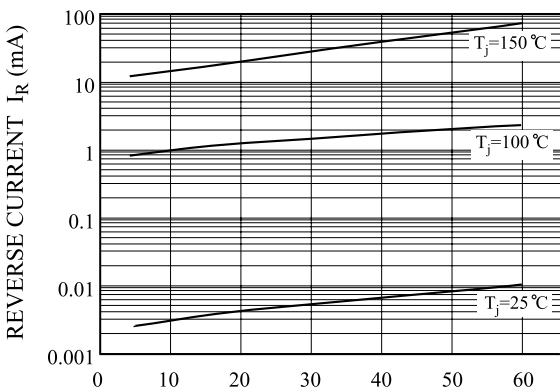
NUMBER OF CYCLES AT 60Hz

$T_j - I_F$



FORWARD CURRENT (A)

$I_R - V_R$



REVERSE VOLTAGE V_R (V)