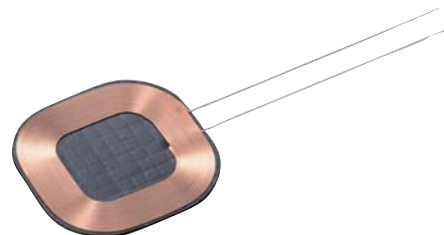
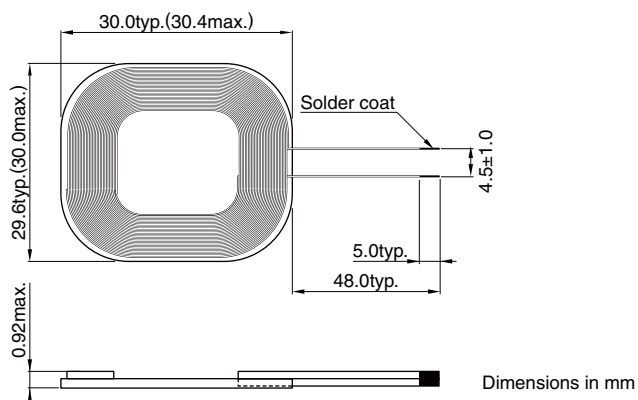


## Rx Coil Units

# WR303050-15F5-G

## ■ SHAPE & DIMENSIONS



## ■ ELECTRICAL CHARACTERISTICS

### □ CHARACTERISTICS SPECIFICATION TABLE

LxW Dimensions (mm)	Thickness (mm)max.	Efficiency* (%)ref.	Inductance (μH) [100kHz, 1Vrms]	DC resistance (Ω)max. [25°C]	Part No.
30.0x30.0	0.92	66	12.3	0.41	WR303050-15F5-G

\* Contact us for more information.