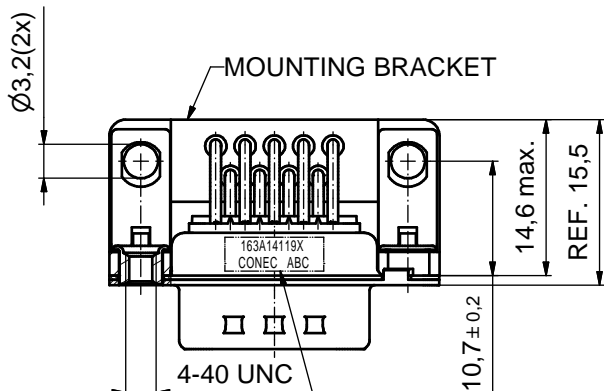
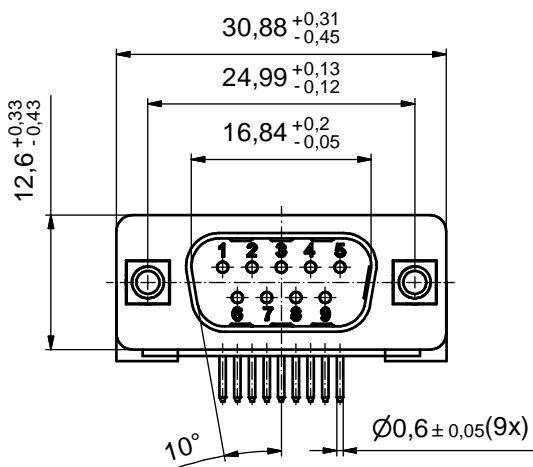
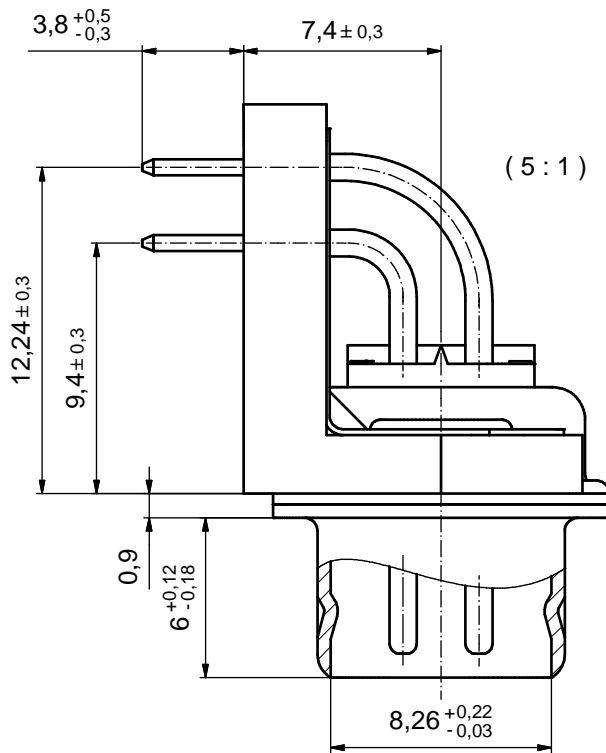


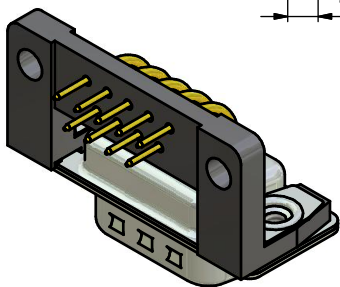
P.C.B. HOLE DRILLINGS (P.C.B TOP SIDE)



SEE NOTE 8

NOTES:

- METALSHELLS: STEEL; min. 315µin TIN over 40-80µin NICKEL
- INSULATORS: PBT GF UL 94 V-0, BLACK
- CONTACTS: COPPER ALLOY
 PLATING: 8µin HARD GOLD over min. 50µin NICKEL
- MOUNTING BRACKETS: PBT GF UL 94 V-0; BLACK
- GROUNDING BRACKETS: COPPER ALLOY; TIN PLATED
- THREADED INSERTS: COPPER ALLOY; min. 200µin TIN over 80µin NICKEL
- MAXIMUM TORQUE VALUE FOR THREAD: 6 in.LB
- CONNECTOR IS PART MARKED: 163A14119X CONEC ABC



Directive 2002/95/EC
 „RoHS“
 Compliant

APPROVAL # FREIGABE # DEBLOCAGE # AUTORIZACION # APPROVAL	
CUSTOMER APPROVAL DATE:	
NAME:	TITLE:
COMPANY NAME:	
APPROVAL # FREIGABE # DEBLOCAGE # AUTORIZACION # APPROVAL	

THIS DRAWING MAY NOT BE COPIED OR REPRODUCED IN ANY WAY, AND MAY NOT BE PASSED ON TO A THIRD PARTY WITHOUT WRITTEN PERMISSION. OWNERSHIP AND COPYRIGHT OF CONEC GmbH			
DO NOT ALTER CAD DRAWING BY HAND			
rev.	description	date	name
a	Origin		

tolerance	dim. in mm
date	name
drawn	01.10.2009 Sonnenberg
appd.	01.10.2009 Koch
norm	
d-old	
CONEC	

scale:	2:1 (5:1)	
material:	SEE NOTES	
title:	D-SUB MALE 90° 9pos. SOLDER PIN ANGLED with threaded insert, mounting bracket, grounding bracket	
dwg no:	Inventor 10	DIN-A3
	16K1A2551	sh: 1
part no:	163A14119X	