

THIS DRAWING IS UNPUBLISHED.

RELEASED FOR PUBLICATION

ALL RIGHTS RESERVED.

© COPYRIGHT - By TE Connectivity

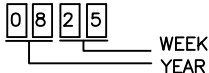
LOC HB

DIST -

REVISIONS

P	LTR	DESCRIPTION	DATE	DWN	APVD
B		1.UPDATE TE LOGO 2.ADD LINE IDENTIFICATION 3.TERMINALS TOLERANCE CLARIFICATION+VENT HOLE CHANGE	ECO-12-005726	06-APR-12	D.L BH.Y

- NOTES:  
 1.TERMINAL DIMENSION IS NOT INCLUDING SOLDER TIP.  
 2.LOT NO. SYSTEM AS FOLLOING:

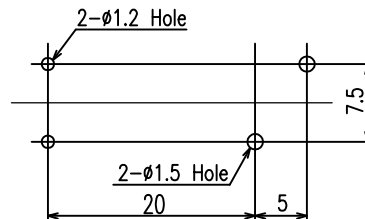


- 3.GENERAL TOLERANCE AS FOLLOING:

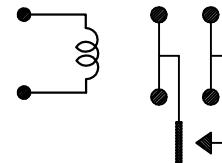
TOLERANCE	
0~0.99mm	±0.1
1mm~2.99mm	±0.2
3mm MIN.	±0.3

- ④ 4.FOR THE TIN-PLATING OF THE PINS:  
 +0.1mm FOR WIDTH,THICKNESS AND DIAMETER.  
 +0.5mm FOR LENGTH.

DRILLING DIAGRAM (BOTTOM VIEW)

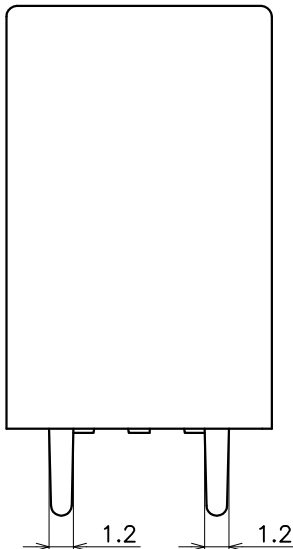
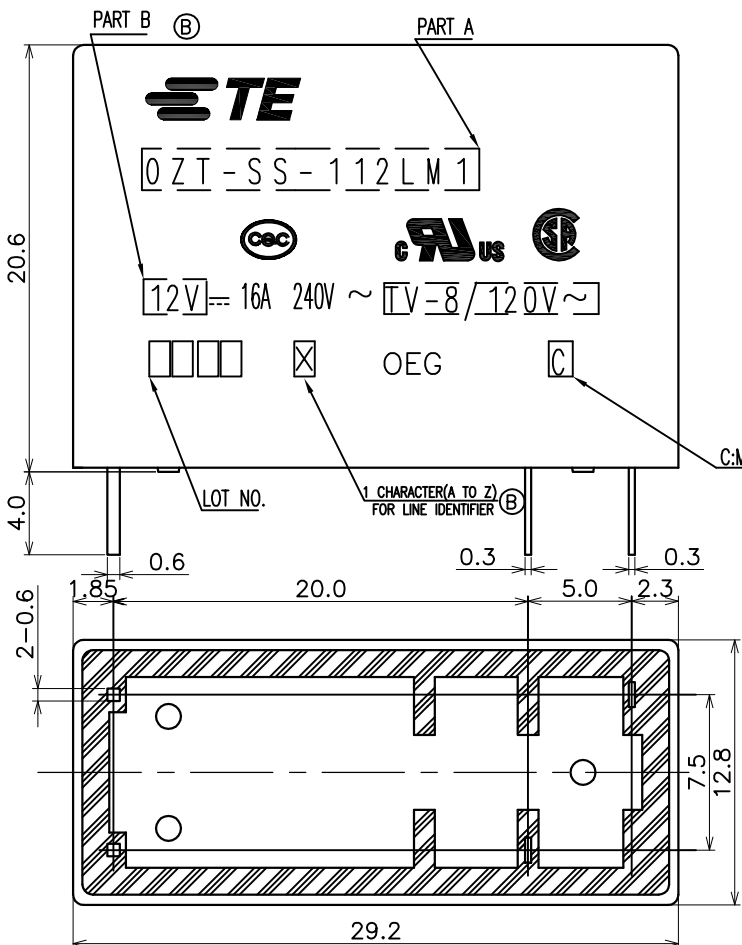


CIRCUIT DIAGRAM(2/1) (BOTTOM VIEW)



PART NO	DESCRIPTION	PART B	PART A	PACK. SPEC.	No.
9-1419145-4	OZT-SS-112LM1	12V	OZT-SS-112LM1	107-79006	1

INCOMBUSTIBILITY	TREATMENT	MATERIAL	DESCRIPTION	ITEM	
		UV RESIN	UV SEAL	16	
		EPOXY RESIN	SEAL	15	
		Cu ALLOY	HINGE SPRING	14	
		PBT	CASE	13	
		MW79	MAGNETIC WIRE	12	
UL94V-0		PET	BASE	11	
UL94HB		PBT	BOBBIN	10	
	SOLDER DIP	Cu ALLOY	COIL TERMINAL	9	
UL94V-0		PPS	CARD	8	
		Ag ALLOY	MOVABLE CONTACT	7	
		Ag ALLOY	STATIONARY CONTACT	6	
	SOLDER DIP	Cu ALLOY	MOVABLE SPRING	5	
	SOLDER DIP	Cu ALLOY	NO-TERMINAL	4	
		Ni PLATED	STEEL	CORE	3
		Ni PLATED	STEEL	ARMATURE	2
		Ni PLATED	STEEL	YOKE	1



THIS DRAWING IS A CONTROLLED DOCUMENT.

DIMENSIONS:	TOLERANCES UNLESS OTHERWISE SPECIFIED:
mm	0 PLC ±
	1 PLC ±
	2 PLC ±
	3 PLC ±
	4 PLC ±
	ANGLES ±
MATERIAL	FINISH

DWN	Davey Liu
CHK	Banghua, Yu
APVD	Sunny Zhang
PRODUCT SPEC	-
APPLICATION SPEC	-
WEIGHT	-
CUSTOMER DRAWING	-

**TE** TE Connectivity

NAME: Sunny Zhang

OZT-LMI CUSTOMER DRAWING

SIZE: A3 CAGE CODE: 00779 ©=9-1419145-4

RESTRICTED TO: -

SCALE: 4:1 SHEET: 1 OF 1 REV: B