

GaAs MMIC LOW NOISE AMPLIFIER, 3.5 - 8.0 GHz

Typical Applications

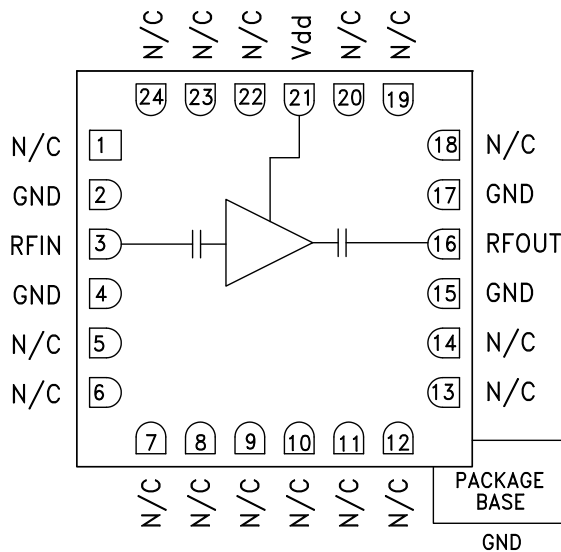
The HMC392ALC4 is ideal for:

- Point-to-Point Radios
- VSAT
- LO Driver for HMC Mixers
- Military EW, ECM, C³I
- Space

Features

- Gain: 17 dB
- Noise Figure: 1.8 dB
- Single Supply Voltage: +2V to +5V
- No External Matching Components Required
- 50 Ohm Matched Input/Output
- RoHS Compliant 4x4 mm SMT Package

Functional Diagram



General Description

The HMC392ALC4 is a GaAs MMIC Low Noise Amplifier which operates between 3.5 and 8.0 GHz. Housed in a leadless 4x4 mm SMT package, this amplifier provides 17 dB of gain, 1.8 dB noise figure and 34.5 dBm IP3 from a +5V supply voltage. HMC392ALC4 functions well as a low noise front end or as a driver amplifier. The RF Input and Output pins are DC blocked and matched to 50 Ohms for ease of use. The HMC392ALC4 allows the use of surface mount manufacturing techniques and is suitable for high reliability military, industrial and space applications.

Electrical Specifications, $T_A = +25^\circ \text{C}$, $V_{dd} = +5V$

| Parameter | Min. | Typ. | Max. | Units |
|--|-----------|-------|------|--------|
| Frequency Range | 3.5 - 8.0 | | | GHz |
| Gain | 14.5 | 17 | | dB |
| Gain Variation Over Temperature | | 0.006 | 0.01 | dB/ °C |
| Input Return Loss | | 13 | | dB |
| Output Return Loss | | 15 | | dB |
| Output Power for 1 dB Compression (P1dB) | 16 | 19 | | dBm |
| Saturated Output Power (P _{sat}) | | 20 | | dBm |
| Output Third Order Intercept (IP3) | | 34.5 | | dBm |
| Noise Figure | | 1.8 | 3 | dB |
| Supply Current (I _{dd}) | 35 | 61 | 75 | mA |
| Supply Voltage (V _{dd}) | 2 | 5 | 5.5 | V |

HMC392ALC4* Product Page Quick Links

Last Content Update: 01/11/2017

[Comparable Parts](#)

View a parametric search of comparable parts

[Evaluation Kits](#)

- HMC392ALC4 Evaluation Board

[Documentation](#)

Application Notes

- AN-1363: Meeting Biasing Requirements of Externally Biased RF/Microwave Amplifiers with Active Bias Controllers

Data Sheet

- HMC392ALC4: GaAs MMIC LOW NOISE AMPLIFIER, 3.5 - 7.0 GHz Data Sheet

[Design Resources](#)

- HMC392ALC4 Material Declaration
- PCN-PDN Information
- Quality And Reliability
- Symbols and Footprints

[Discussions](#)

View all HMC392ALC4 EngineerZone Discussions

[Sample and Buy](#)

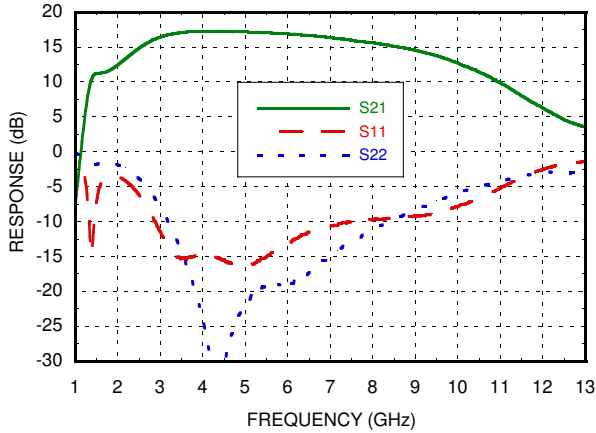
Visit the product page to see pricing options

[Technical Support](#)

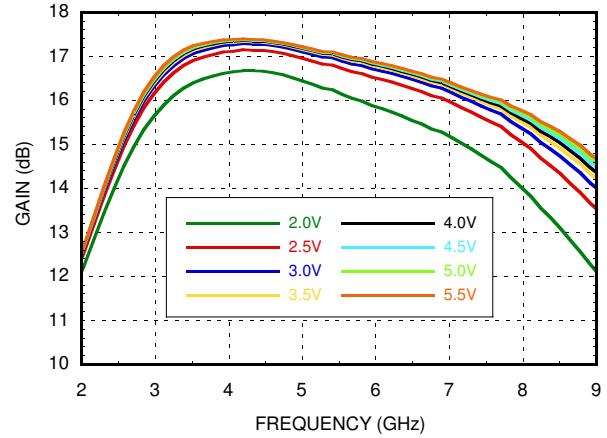
Submit a technical question or find your regional support number

GaAs MMIC LOW NOISE AMPLIFIER, 3.5 - 8.0 GHz

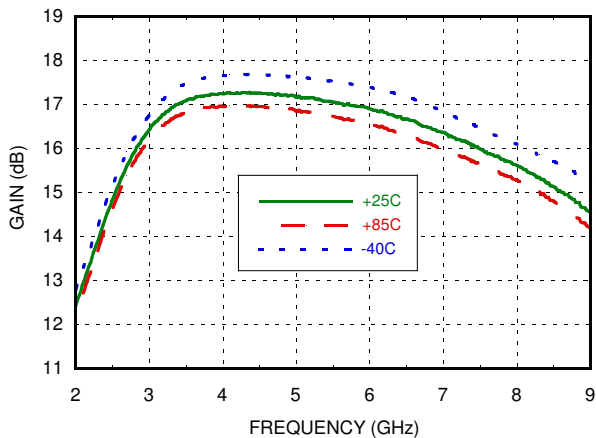
Broadband Gain & Return Loss @ Vdd = 5V



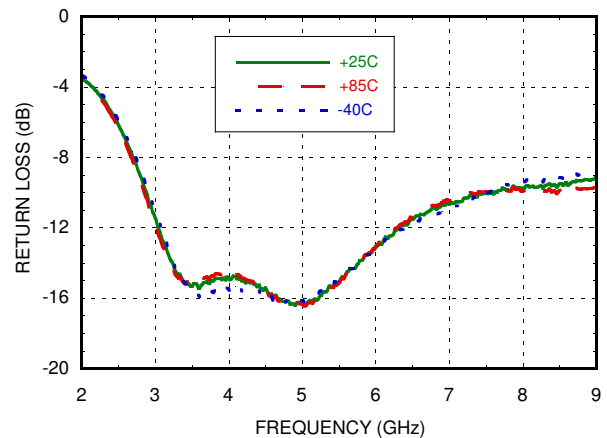
Broadband Gain vs. Supply Voltage



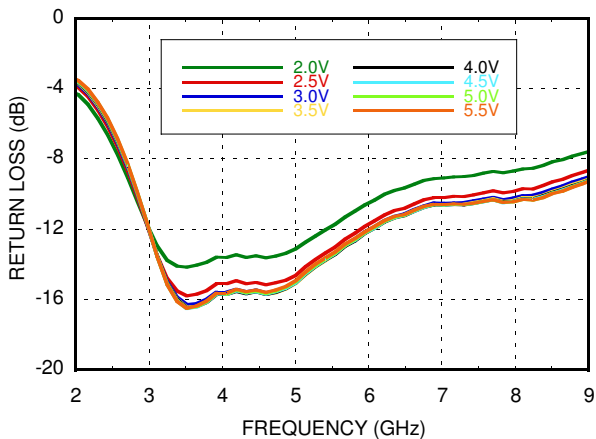
Gain vs. Temperature @ Vdd = 5V



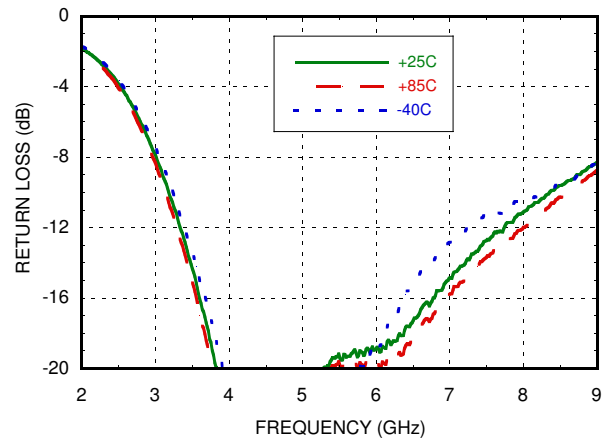
Input Return Loss vs. Temperature @ Vdd = 5V



Input Return Loss vs. Supply Voltage



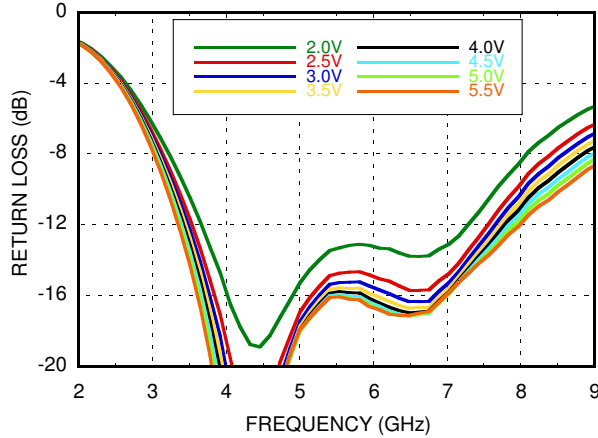
Output Return Loss vs. Temperature @ Vdd = 5V



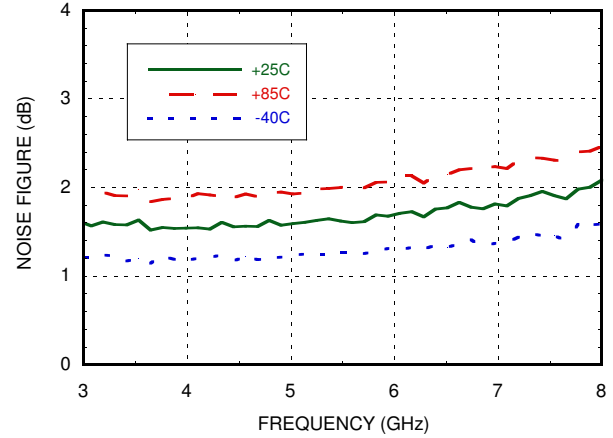
**GaAs MMIC LOW NOISE
AMPLIFIER, 3.5 - 8.0 GHz**

AMPLIFIERS - LOW NOISE - SMT

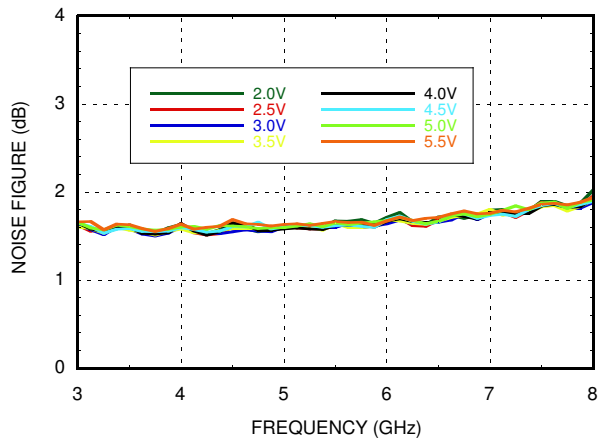
Output Return Loss vs. Supply Voltage



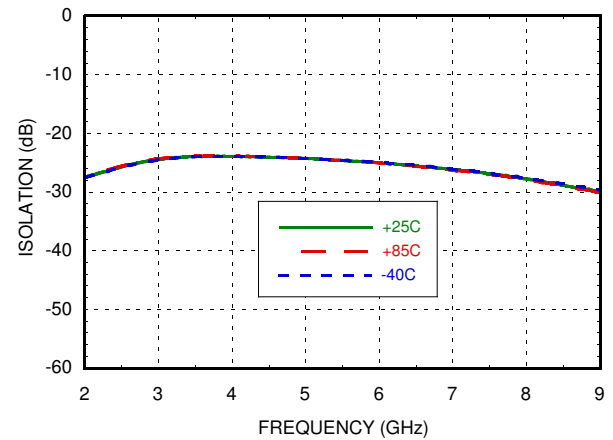
Noise Figure vs. Temperature @ Vdd = 5V



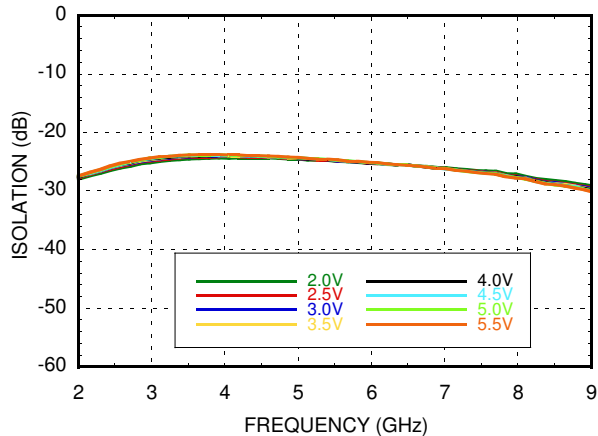
Noise Figure vs. Supply Voltage



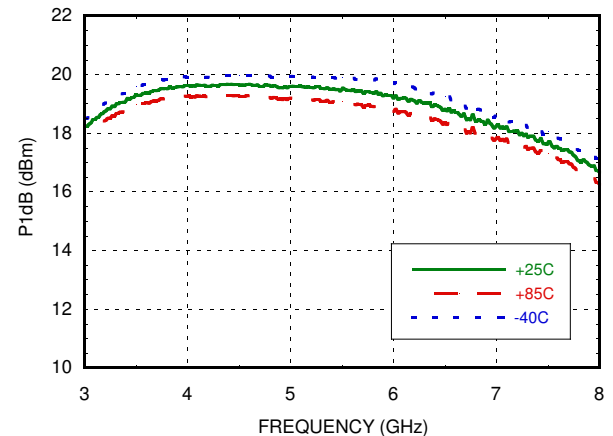
**Reverse Isolation vs. Temperature
@ Vdd = 5V**



Reverse Isolation vs. Supply Voltage

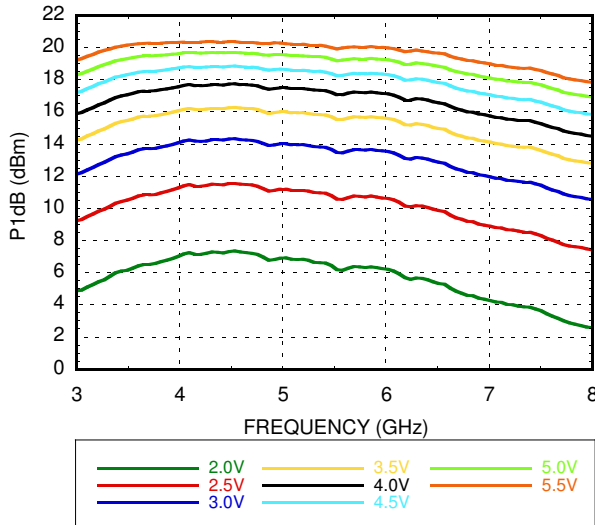


P1dB vs. Temperature @ Vdd = 5V

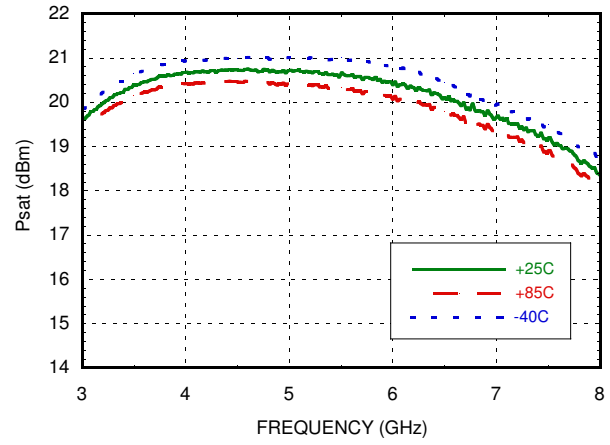


GaAs MMIC LOW NOISE AMPLIFIER, 3.5 - 8.0 GHz

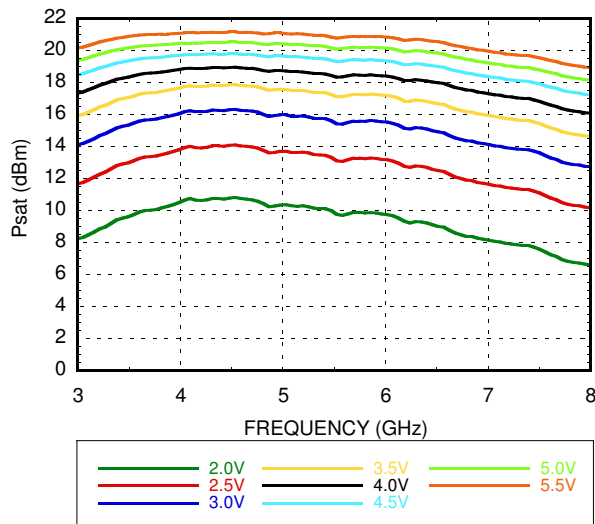
P1dB vs. Supply Voltage



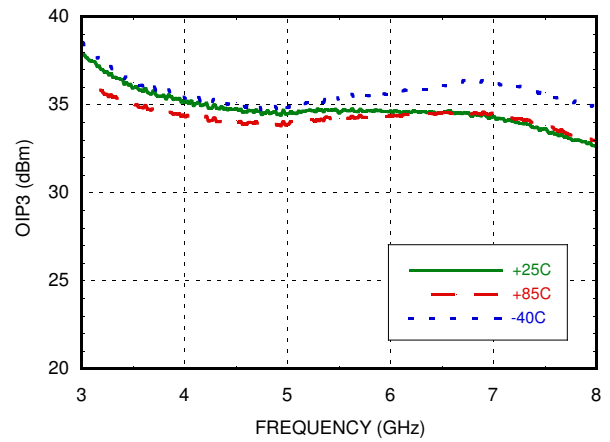
Psat vs. Temperature @ Vdd = 5V



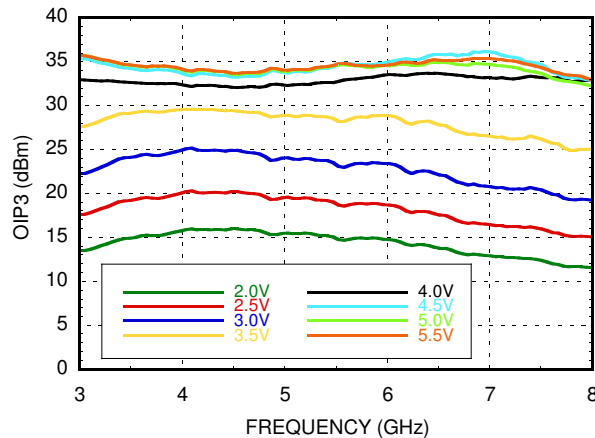
Psat vs. Supply Voltage



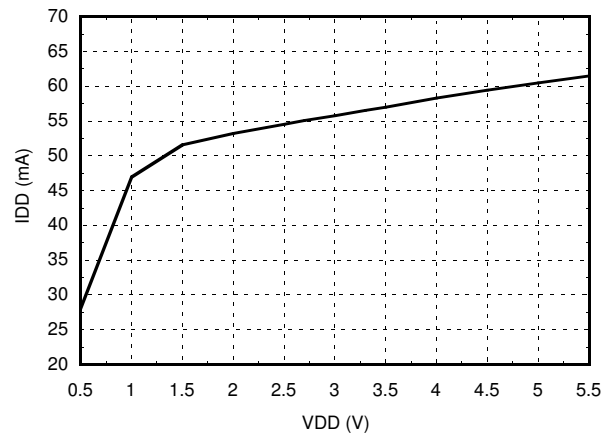
Output IP3 vs. Temperature @ Vdd = 5V



Output IP3 vs. Supply Voltage

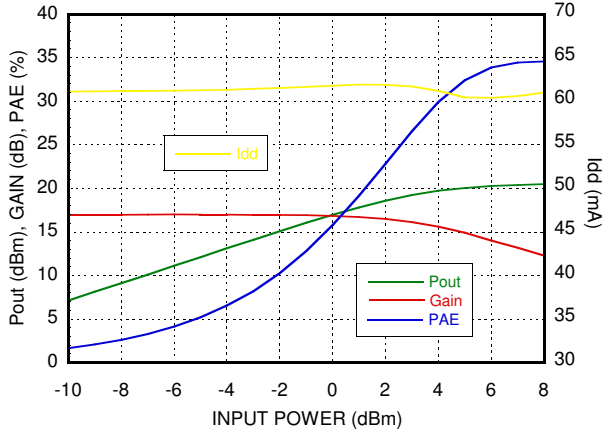


Idd vs. Supply Voltage

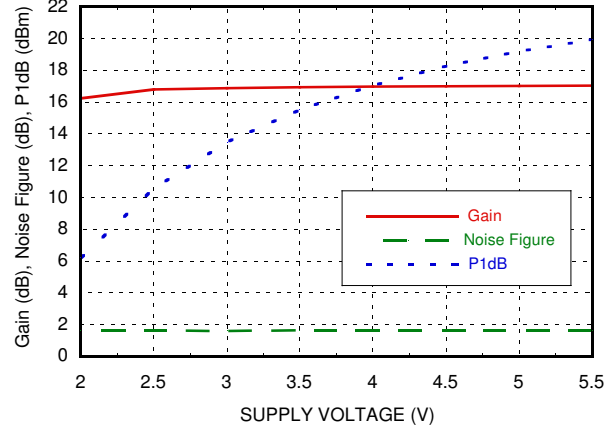


**GaAs MMIC LOW NOISE
AMPLIFIER, 3.5 - 8.0 GHz**

Power Compression @ 5.5GHz, Vdd = 5V



Gain, Noise Figure & Power vs. Supply Voltage @ 5.5 GHz



**GaAs MMIC LOW NOISE
AMPLIFIER, 3.5 - 8.0 GHz**
Absolute Maximum Ratings

| | |
|---|---------------------------|
| Drain Bias Voltage (Vdd) | +7 Vdc |
| RF Input Power (RFIN)(Vdd = +5.0 Vdc) | +20 dBm |
| Channel Temperature | 175 °C |
| Continuous P _{diss} (T= 85 °C) (derate 6.5 mW/°C above 85 °C) | 0.66 W |
| Thermal Resistance (channel to ground paddle) | 135.6 °C/W |
| Storage Temperature | -65 to +150 °C |
| Operating Temperature | -40 to +85 °C |
| ESD Rating | Class 1B - Passed 500V |

Stresses at or above those listed under Absolute Maximum Ratings may cause permanent damage to the product. This is a stress rating only; functional operation of the product at these or any other conditions above those indicated in the operational section of this specification is not implied. Operation beyond the maximum operating conditions for extended periods may affect product reliability.

Typical Supply Current vs. Vdd

| Vdd (V) | I _{dd} (mA) |
|---------|----------------------|
| +2.0 | 54 |
| +2.5 | 55 |
| +3.0 | 56 |
| +3.5 | 57 |
| +4.0 | 58 |
| +4.5 | 60 |
| +5.0 | 61 |
| +5.5 | 62 |

Note: Amplifier will operate over full voltage ranges shown above.



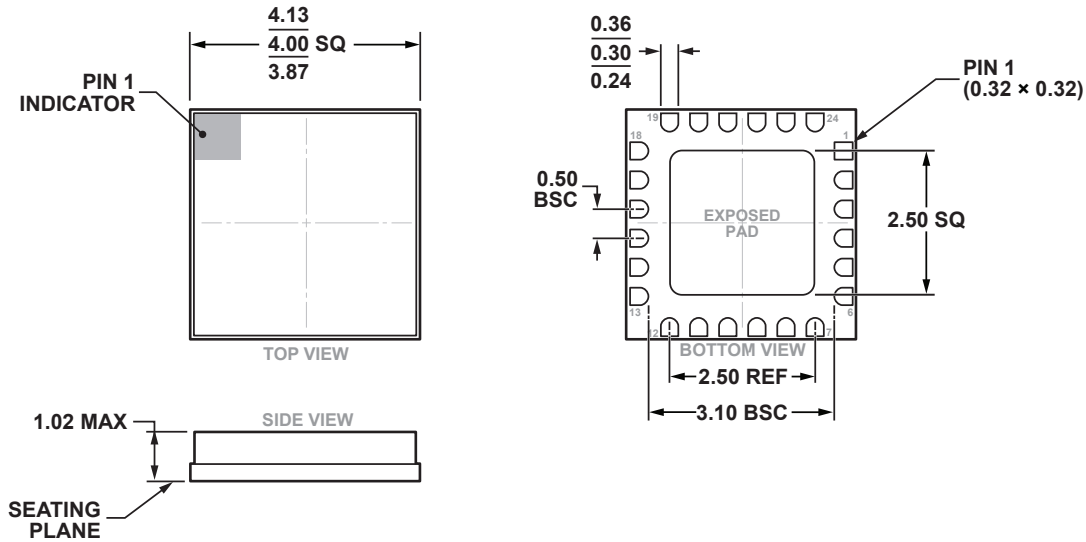
**ELECTROSTATIC SENSITIVE DEVICE
OBSERVE HANDLING PRECAUTIONS**

GaAs MMIC LOW NOISE AMPLIFIER, 3.5 - 8.0 GHz

Outline Drawing



24-Terminal Ceramic Leadless Chip Carrier with [LCC]
(E-24-1)
Dimensions shown in millimeters.



NOTES:

1. PACKAGE BODY MATERIAL: ALUMINA.
2. LEAD AND GROUND PADDLE PLATING: 30-80 MICROINCHES GOLD OVER 50 MICROINCHES MINIMUM NICKEL.
3. DIMENSIONS ARE IN INCHES (MILLIMETERS).
4. LEAD SPACING TOLERANCE IS NON-CUMULATIVE.
5. CHARACTERS TO BE HELVETICA MEDIUM, .025 HIGH, BLACK INK, OR LASER MARK LOCATED APPROX. AS SHOWN.
6. PACKAGE WARP SHALL NOT EXCEED 0.05MM DATUM $\overline{C-}$
7. ALL GROUND LEADS AND GROUND PADDLE MUST BE SOLDERED TO PCB RF GROUND.

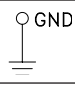
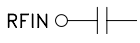
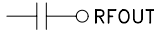
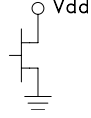
Package Information

| Pin Number | Package Body Material | Lead Finish | MSL Rating | Package Marking ^[2] |
|------------|-----------------------|------------------|----------------------|--------------------------------|
| HMC392ALC4 | Alumina, White | Gold over Nickel | MSL 3 ^[1] | H392A XXXX |

[1] Max peak reflow temperature of 260 °C

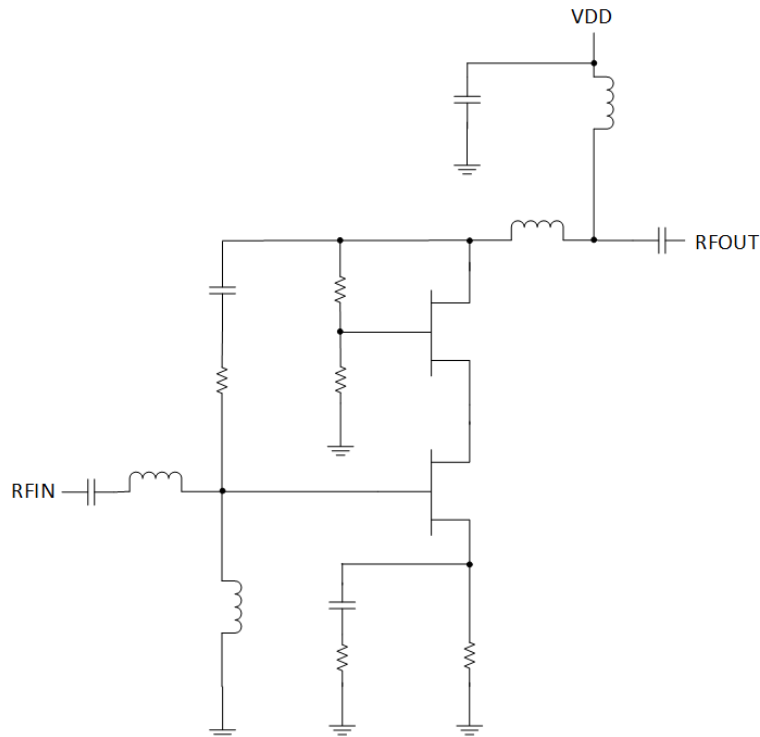
[2] 4-Digit lot number XXXX

**GaAs MMIC LOW NOISE
AMPLIFIER, 3.5 - 8.0 GHz**
Pin Descriptions

| Pin Number | Function | Description | Interface Schematic |
|--------------------------------|----------|--|---|
| 1, 5 - 14, 18 - 20, 22 - 24 | N/C | No connection required. These pins may be connected to RF/DC ground without affecting performance. | |
| 2, 4, 15, 17 | GND | Package bottom has an exposed metal paddle that must also be connected to RF/DC ground. |  |
| 3 | RFIN | This pin is AC coupled and matched to 50 Ohms. |  |
| 16 | RFOUT | This pin is AC coupled and matched to 50 Ohms. |  |
| 21 | Vdd | Power Supply Voltage for the amplifier. External bypass capacitors of 100 pF, 1000pF, and 2.2 μF are required. |  |

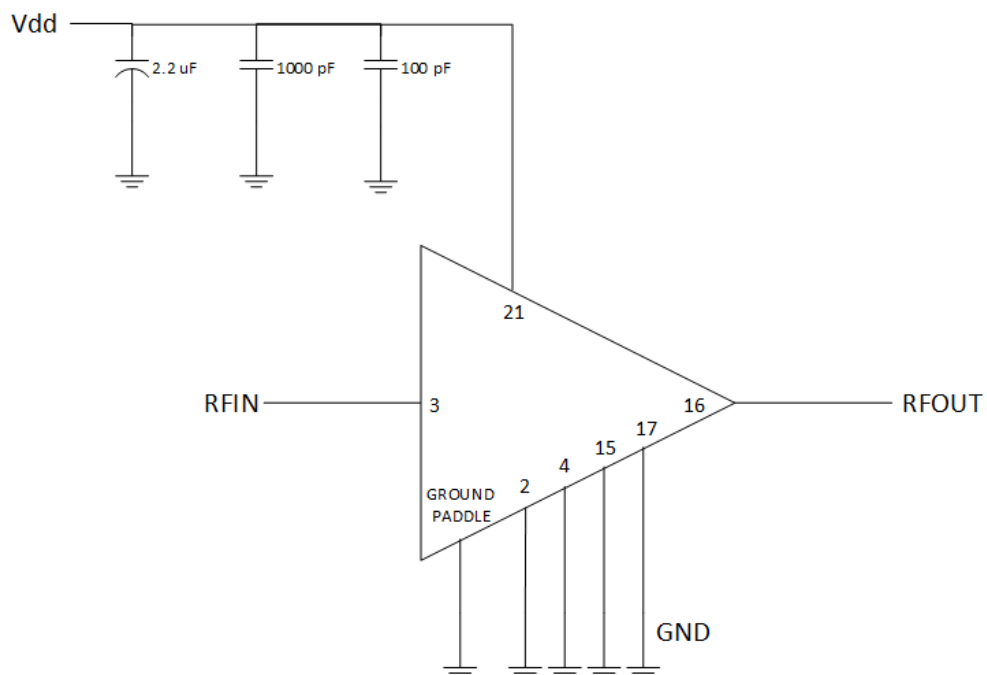
THEORY OF OPERATIONS

The HMC392ALC4 is a GaAs MMIC low noise amplifier consisting of two stages in a cascode configuration with integrated RF chokes for the upper drain. The RFIN and RFOUT ports are DC blocked. Complete DC biasing is achieved through the use of a single supply. A simplified schematic view of the architecture is shown in Figure 3.

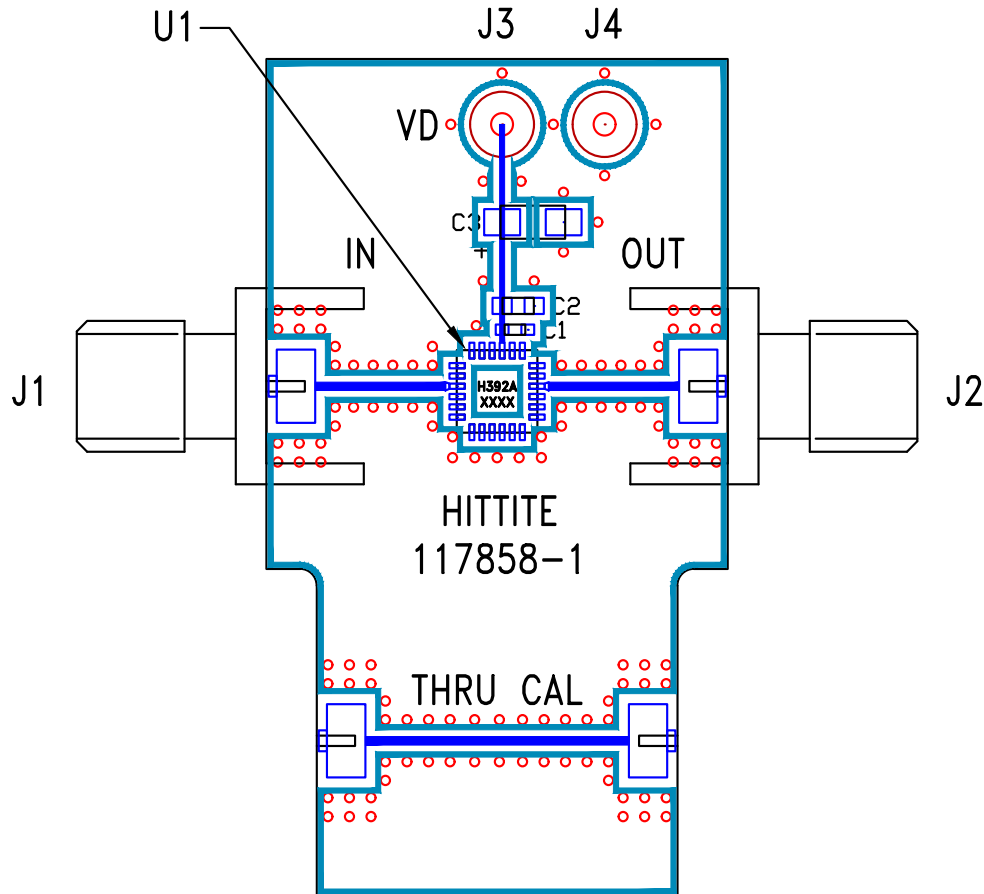


APPLICATIONS INFORMATION

Unless otherwise noted, all measurements and data shown on this datasheet were taken using the Typical Application Circuit as configured on the evaluation board. Capacitive bypassing is recommended for VDD, as shown in figure 4. The bias condition shown in the specifications section is the operating point recommended to optimize the overall performance. Operation using other bias conditions may provide performance that differs from what is shown in this datasheet. To avoid damage on the device, it is recommended that the RF signal be applied after the part has been DC biased and removed before the DC bias has been turned off.



Evaluation PCB



List of Materials for Evaluation PCB EV1HMC392ALC4 [1]

| Item | Description |
|---------|---|
| J1, J2 | PCB mount SMA RF connectors, Johnson 142-0701-851 |
| J3 - J4 | DC Pin |
| C1 | 100 pF Capacitor, Ceramic, 50V, C0G, 0402 Pkg.. |
| C2 | 1,000 pF Capacitor, Ceramic, 50V, X7R, 0603 Pkg.. |
| C3 | 2.2µF Capacitor, Tantalum, 25V, 3216 Pkg |
| U1 | HMC392ALC4 Amplifier |
| PCB [2] | 117858 Evaluation PCB |

[1] Reference this number when ordering complete evaluation PCB

[2] Circuit Board Material: Rogers 4350.

The circuit board used in this application should use RF circuit design techniques. Signal lines should have 50 Ohm impedance while the package ground leads and exposed paddle should be connected directly to the ground plane similar to that shown. A sufficient number of via holes should be used to connect the top and bottom ground planes. The evaluation board should be mounted to an appropriate heat sink. The evaluation circuit board shown is available from Analog Devices upon request.