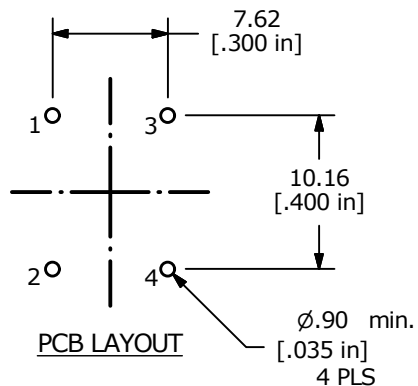
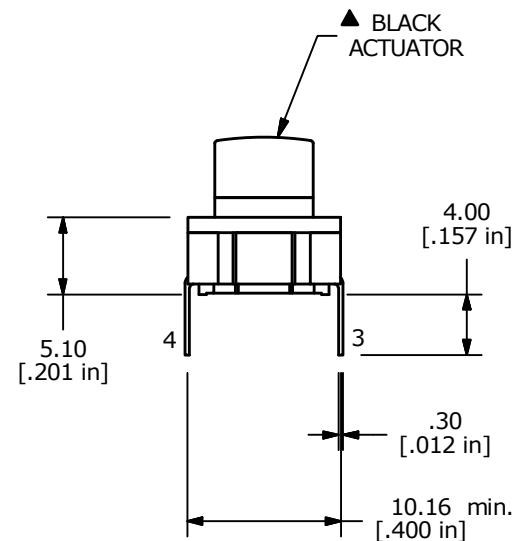
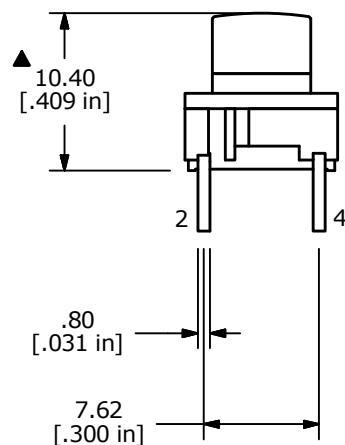
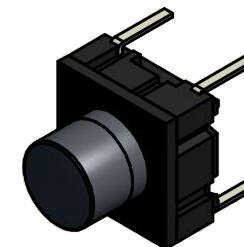
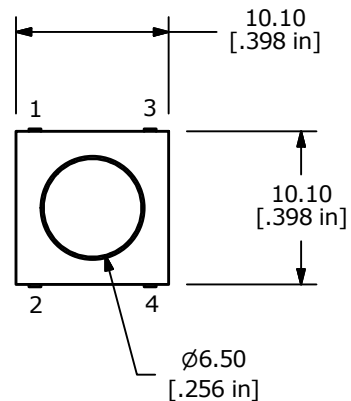


CIRCUIT: SPST



PCB LAYOUT



NOTES:

1. ALL DIMENSIONS IN MM [INCH]
2. GENERAL TOLERANCE: x.x = ± 0.4
x.xx = ± 0.25
3. TERM. NOS. FOR REF ONLY
4. RATING: 50 MILLI-AMPS @24VDC
5. TRAVEL: 1.0 +/-0.5mm
6. CONTACT RESISTANCE: 30 MILLIOHMS MAX
7. INSULATION RESISTANCE: 10M OHMS MIN. AT 100VDC
8. DIELECTRIC STRENGTH: 250VAC FOR 1 MINUTE
- ▲ 9. OPERATING FORCE: 300 \pm 75 GF
10. PACKAGING: TUBE, 45 PIECES PER TUBE
11. LIFE CYCLES: 10,000,000 ACTUATIONS
12. ▲ DENOTES CRITICAL PARAMETER
13. 2002/95/EC (ROHS) COMPLIANT



| | | | | |
|----------------------|-----------------|-------|-------------|-------|
| TITLE TL6200DBF300QP | | | | |
| SCALE 2:1 | DATE 11/18/2015 | DR MW | DWG T060007 | REV A |

| | | | | |
|-----|--------|-------------|----------|----|
| A | 22054 | New Release | 11/25/15 | MW |
| REV | PCR NO | DESCRIPTION | DATE | BY |

THE INFORMATION CONTAINED IN THIS DOCUMENT IS PROPRIETARY TO E-SWITCH AND IS NOT TO BE COPIED OR TRANSFERRED