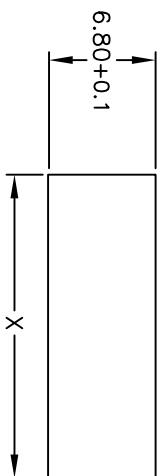
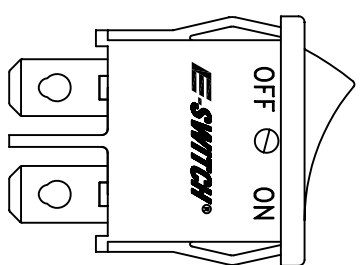
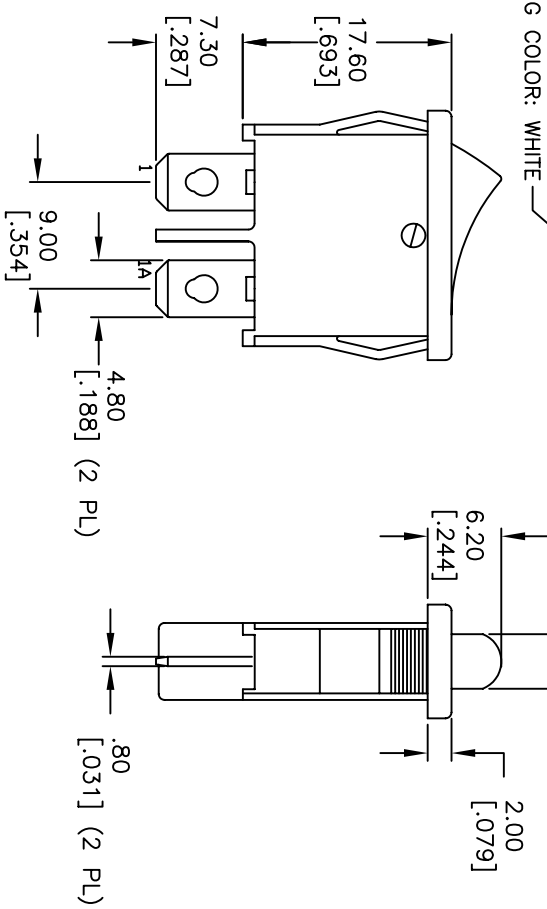
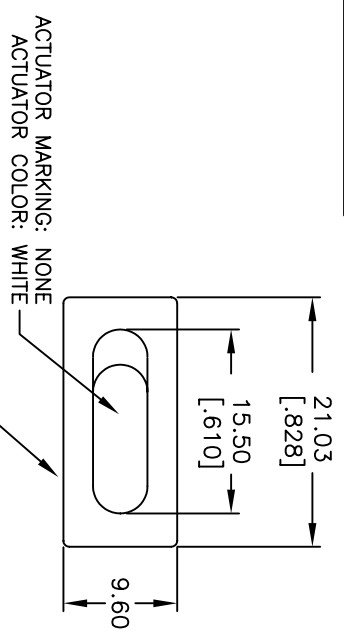


PANEL THICKNESS	X dimension
0.75-1.25 [L.030-.049]	19.2-01 [L.756]
1.25-2.0 [L.049-.079]	19.4-01 [L.764]
2.0-3.0 [L.079-.118]	19.8-01 [L.780]



SWITCH FUNCTION	
POS. 1	POS. 2
DN	DFE
1-1a	OPEN



CIRCUIT: SPST

- NOTES:
- ALL DIMENSIONS IN MM
 - GENERAL TOLERANCE: X.X=±0.4; X.XX=±0.25
 - TERMINAL NUMBERS FOR REF ONLY
 - RATING: 4(1)A @250VAC, 6A @250VAC
10A @125VAC
 - MATERIALS: TERMINALS: COPPER ALLOY W/SILVER PLATING
CONTACTS: COIN SILVER
 - MECHANICAL LIFE: >50,000 CYCLES
 - ELECTRICAL LIFE: >10,000 CYCLES
 - CONTACT RESISTANCE: < 20 MEGA-OHMS (INITIAL)
 - INSULATION RESISTANCE: > 1000 MEGA-OHMS @ 500VDC
 - DIELECTRIC STRENGTH: >1500VAC 1 MINUTE (INITIAL)
>3000V BETWEEN POLES

E-SWITCH®

RG4WHTWHITE

REV.	ECN NO.	DESCRIPTION	DATE	CHKD	PH
B	15318	CHANGED TITLE TO MATCH QAD	9/23/05	AR	
A	13004	RELEASED FOR PRODUCTION	4/7/03	AR	

SCALE	DATE	DR	DWG	REV
1.5:1	4/7/03	AR	M060306	B

THE INFORMATION CONTAINED IN THIS DOCUMENT IS PROPRIETARY TO E-SWITCH AND IS NOT TO BE COPIED OR TRANSMITTED