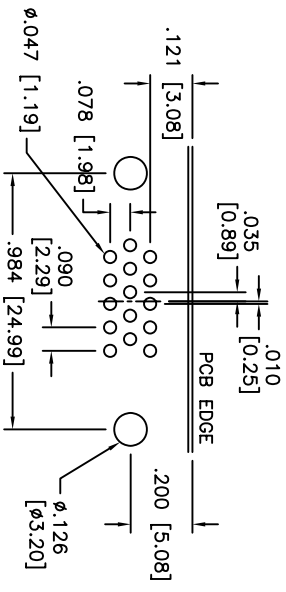
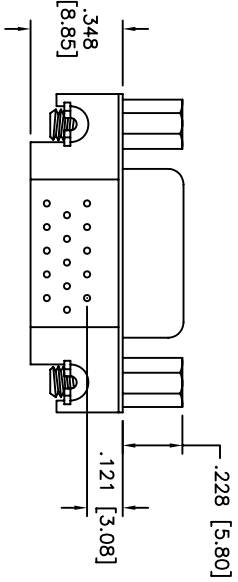
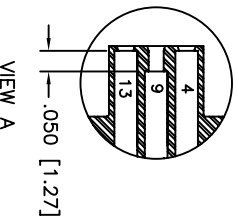
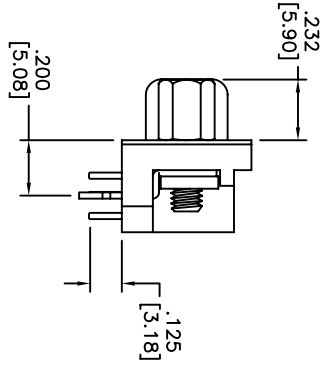
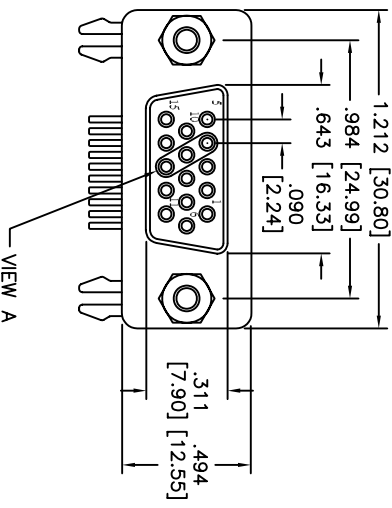


Rev	AWO #	Description	Date	Appr
-		RELEASED	03/07/05	

APPROVED: _____
 DATE: _____ TITLE: _____



RECOMMENDED
PCB LAYOUT

SPECIFICATIONS:

- Material: Insulator: PBT, 30% glass reinforced, rated UL 94V-0
- Insulator color: Blue 661C
- Contacts: Phosphor Bronze
- Shell: Steel, Nickel plated
- Hardware: Brass, Nickel Plated
- Plating: Gold Flash over Nickel underplate on contact area, Tin over Copper underplate on solder tails
- Electrical: Operating voltage: 250 V AC/DC max
- Current rating: 5 Amps max
- Contact resistance: 20 mohms max. initial
- Insulation resistance: 5000 Mohms min @ 500 VDC
- Dielectric withstanding voltage: 1000 VAC for 1 minute
- Packaging: Anti-ESD plastic trays
- Temperature Rating: Operating temperature: -55°C to +105°C
- Environmental: Lead free, RoHS compliant.
- Recommended soldering temp: 235 for 5 sec.

ADAM TECH

909 Railway Avenue, Union, NJ 07083
 Phone: 908-687-5000 Fax: 908-687-5710

**D-SUB, HD RIGHT ANGLE FEMALE,
 VESA TYPE, SLIMLINE, PCB MOUNT**

UNLESS OTHERWISE SPECIFIED
 ALL DIMENSIONS ARE INCHES [MM]
 TOLERANCES: EXCEPT AS NOTED
 INCHES HOLEES
 .X ± .10 ØXX ± .10
 .XX ± .020 ØXXX ± .015
 .XXX ± .015 ØXXXX ± .010
 APPROVALS DATE

DRAWN	SS	03/07/05
CHECKED		
APPROVED		

SIZE	PART NO.	REV.
X	HDVG-15-SL-C-SL	-
REF:	SCALE: NTS	SHEET 1 OF 1

