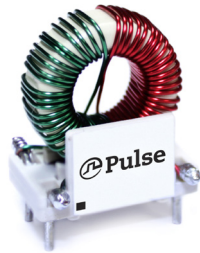


THT Common Mode Chokes

PA3747.XXXNL



- Dielectric Strength: 1500Vrms
- Inductance Range: 0.67mH (at 5A) to 19.5mH (at 0.75A)
- Height: 22.9mm Max
- Footprint: 19.3mm x 18.2mm

Electrical Specifications @ 25°C - Operating Temperature -40°C to +125°C

Part Number	Inductance (1-2)=(3-4) (mH Min)	Current Rating ¹ (1-2)=(3-4) (A)	DCR (1-2)=(3-4) (mΩ Max)	Self Resonant Frequency (1-2)=(3-4) (MHz Min)	Impedance (kOhms Min at SRF)
PA3747.105NL	0.67	5.00	16	1.18	2.2
PA3747.205NL	1.28	4.00	25.5	1.10	3.9
PA3747.305NL	1.92	2.75	49.5	1.00	5.0
PA3747.405NL	2.68	2.25	71.5	0.94	8.2
PA3747.505NL	3.33	1.85	103.5	0.88	10.0
PA3747.605NL	4.06	1.55	132	0.78	11.5
PA3747.705NL	4.58	1.50	134	0.80	16.0
PA3747.905NL	6.03	1.45	154	0.30	14.0
PA3747.106NL	6.67	1.40	169	0.29	17.0
PA3747.146NL	9.10	1.00	207	0.21	21.0
PA3747.206NL	13.00	1.00	295	0.20	31.0
PA3747.306NL	19.50	0.75	572	0.12	35.0

Notes:

- The current rating (I_{rated}) is based upon the temperature rise of the component and represents the rms current which will cause a typical temperature rise of 40°C.
- The temperature of the component (ambient plus temperature rise) must be within the stated operating temperature range.

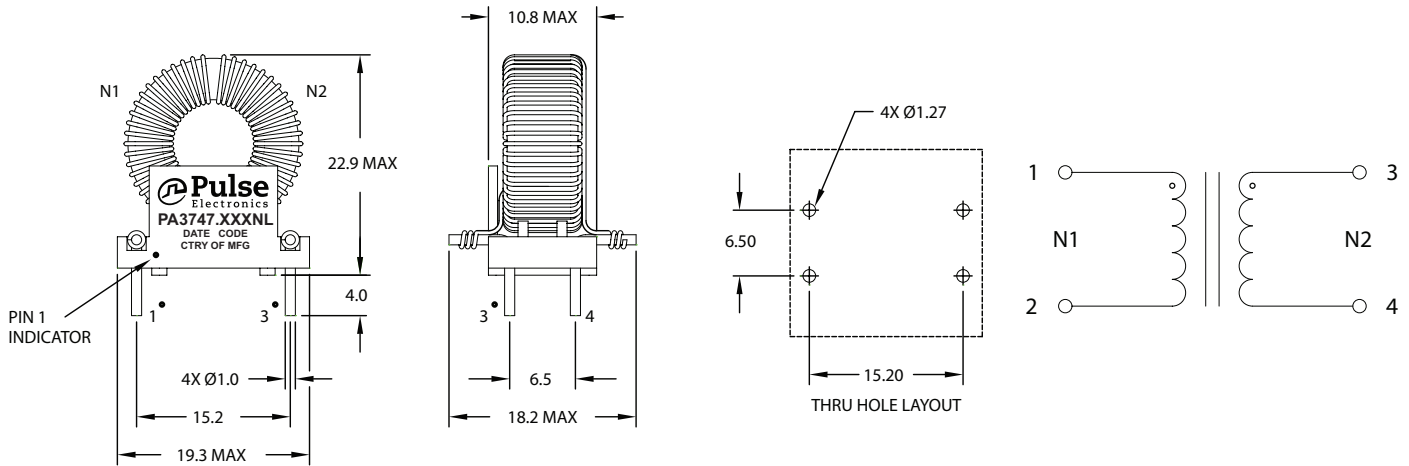
THT Common Mode Chokes

PA3747.XXXNL

Mechanical

Schematic

PA3747.XXXNL



For More Information

Pulse Worldwide Headquarters

12220 World Trade Drive
San Diego, CA 92128
U.S.A.

Tel: 858 674 8100
Fax: 858 674 8262

Pulse Europe

Einsteinstrasse 1
D-71083 Herrenberg
Germany

Tel: 49 7032 7806 0
Fax: 49 7032 7806 135

Pulse China Headquarters

B402, Shenzhen Academy of
Aerospace Technology Bldg.
10th Kejinan Road
High-Tech Zone
Nanshan District
Shenzhen, PR China 518057
Tel: 86 755 33966678
Fax: 86 755 33966700

Pulse North China

Room 2704/2705
Super Ocean Finance Ctr.
2067 Yan An Road West
Shanghai 200336
China

Tel: 86 21 62787060
Fax: 86 2162786973

Pulse South Asia

135 Joo Seng Road
#03-02
PM Industrial Bldg.
Singapore 368363

Tel: 65 6287 8998
Fax: 65 6287 8998

Pulse North Asia

3F, No. 198
Zhongyuan Road
Zhongli City
Taoyuan County 320
Taiwan R. O. C.
Tel: 886 3 4356768
Fax: 886 3 4356823 (Pulse)
Fax: 886 3 4356820 (FRE)

Performance warranty of products offered on this data sheet is limited to the parameters specified. Data is subject to change without notice. Other brand and product names mentioned herein may be trademarks or registered trademarks of their respective owners. © Copyright, 2015. Pulse Electronics, Inc. All rights reserved.