

24 x 48 Hour counters CHM24 Part number 99782716



- VAC : capacity 100,000 hrs (99,999.99 hrs)
- VDC : capacity 1,000,000 hrs (999,999.99 hrs)
- Operation indicator
- Panel mounted
- IP65 (with accessory 26546847)
- Highly resistant to shocks and impacts
- Compact size
- Excellent visibility due to the large digit size

Part numbers

| | Type | Operating frequency (Hz) | Voltages |
|----------|-------|--------------------------|--------------|
| 99782716 | CHM24 | 60 | 187 →264 VAC |

Specifications

General characteristics

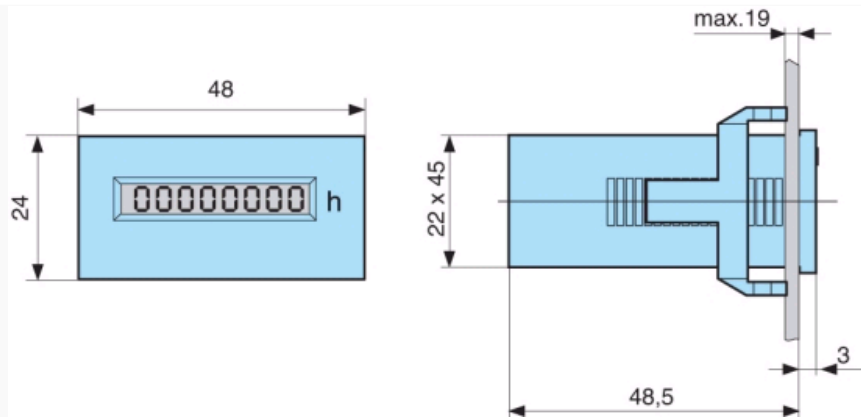
| | |
|-------------------------------------|---|
| Counting capacity | VAC : 99,999.99 VDC : 999,999.99 |
| Reset to zero | Not included |
| Read accuracy | 1/100 h |
| Height digits (mm) | 4 |
| Colour of hour numbers | White on a black background |
| Colour of decimal digits | Red on a black background |
| Accuracy | VAC : frequency + 30 ms VDC : < 0.003 % (24 hrs) |
| Counting input mode | Addition |
| Operation indicator | VAC : rotating red lines/DC : 1/100 hr 1 digit in 36 s |
| Protection rating | IP52 or IP65 with accessory (26546847) |
| Mounting position | Any |
| Temperature limits use (°C) | -10 →+50 |
| Temperature limits stored (°C) | -40 →+80 |
| Certifications | CE - UL (pending) |
| Connections (panel mounted version) | Screw terminals - 6.35 mm Faston connectors |
| Tightening torque (Nm) | 0,8 |
| Connection capacity | 2,5 mm ² |
| Consumption | VDC : 10 →30 approx. 500 mW/100 →130 approx. 750 mW/ VAC 50 Hz : 20 →30 approx. 0.3 VA/100 →130 approx. 0.6 VA/187 →264 approx. 1.2 VA |
| Vibration resistance | 50 m/s ² (10-500 Hz) IEC 68-2-6 |
| Test voltage for AC models | 2 000 VAC 50 Hz |
| Weight (g) | 50 |

Accessories

| Description | Code |
|--|----------|
| Set of seals | 26546847 |
| Adaptor for 50 x 25 mm cut-out - Fixed with screws | 26546843 |
| Adaptor for 50 x 25 mm cut-out - Fixed with clips | 26546844 |

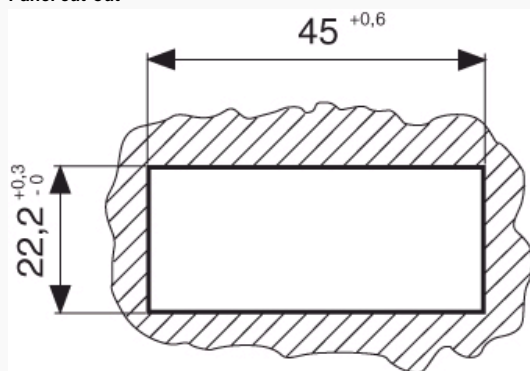
Dimensions (mm)

CHM24



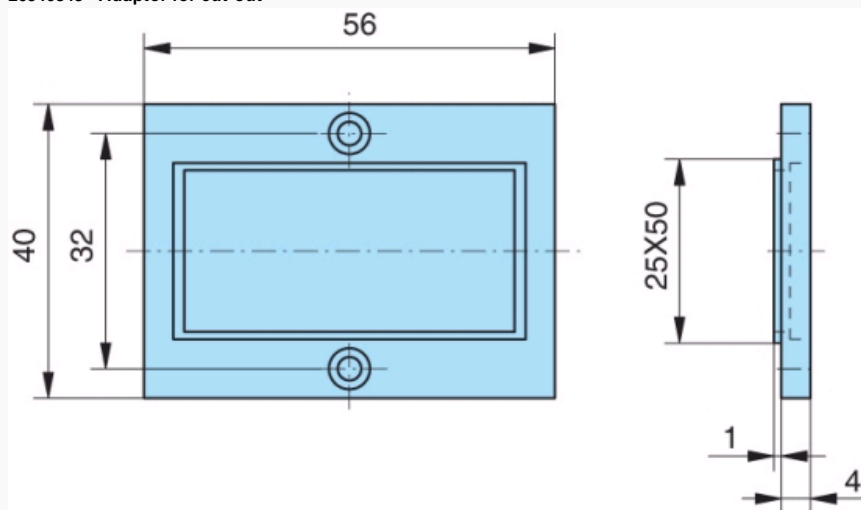
Dimensions (mm)

Panel cut-out



Dimensions (mm)

26546843 - Adaptor for cut-out



Dimensions (mm)

26546844 - Adaptor for cut-out

