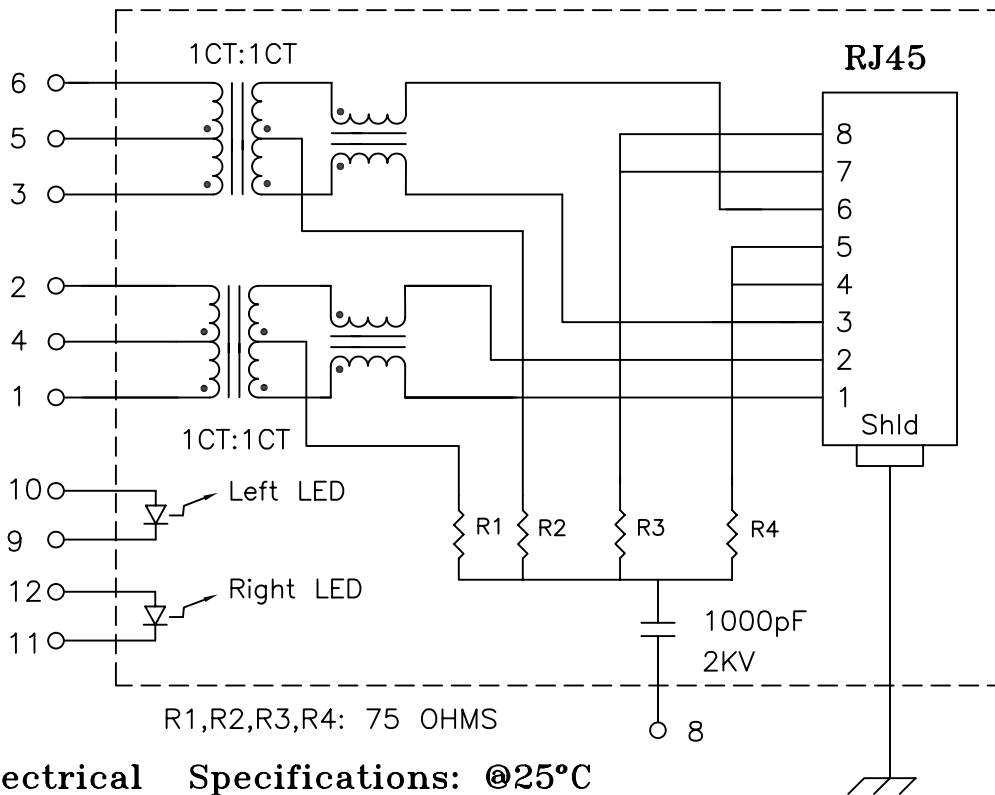


Schematic:



Electrical Specifications: @25°C

Isolation Voltage: 1500 Vrms (Input to Output)
 Isolation Voltage: 500 Vrms (P1+2+4 to P3+5+6)
 Turns Ratio: TX 1CT:1CT $\pm 3\%$ RX 1CT:1CT $\pm 3\%$
 CABLE SIDE OCL: 350uH Minimum @100KHz 100mV 8mADC
 Q: 18 Min 100KHz 0.1V
 CABLE SIDE Cw/w: 30pF Max @1MHz 100mV
 CHIP SIDE LL: 0.300uH Max @1MHz 100mV, Short Sec
 DCR: (J6-J3)=(J2-J1) 1.2 Ohms Max
 Insertion Loss (100KHz-100MHz): -1.10dB Typ
 Return Loss: @1-30MHz -18dB Typ
 @60-80MHz -12dB Typ
 Cross Talk (1MHz-100MHz): -40dB Typ
 Common to Common Mode Attenuation: (30MHz-100MHz) -35dB Typ
 Rise Time: 1Vpeak Output 3.0nSec Max
 112nSec Pulse Width 3nSec Max

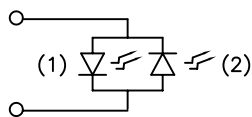
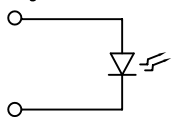
Complete the Combo P/N as follows:

Replace 'x' & 'u' in the part number with one of the LED color letters:

Y=Yellow 'x' = Left LED Color
 G=Green 'u' = Right LED Color
 A=Amber
 R=Red
 C=Green(1)/Amber(2) Bicolor
 D=Amber(1)/Green(2) Bicolor
 M=Green(1)/Yellow(2) Bicolor
 N=Yellow(1)/Green(2) Bicolor
 P=Red(1)/Green(2) Bicolor
 Q=Green(1)/Red(2) Bicolor

Single Color LED:

Bi-Color LED:



DOC. REV: A/1

Notes:

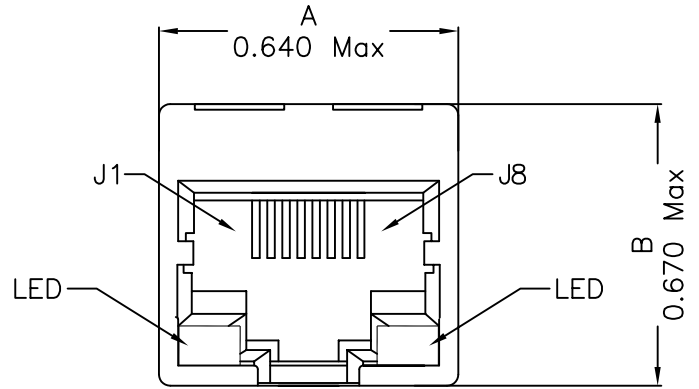
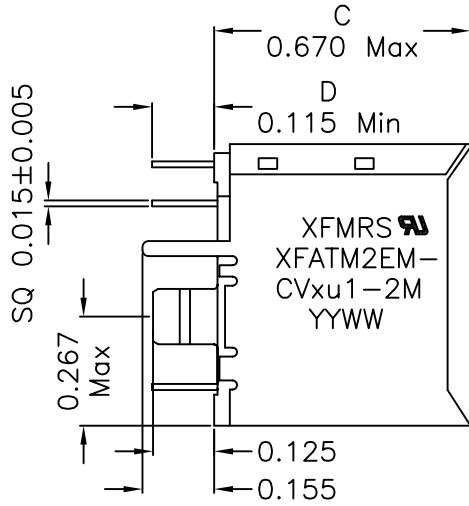
1. Solderability: Leads shall meet MIL-STD-202G, Method 208H for solderability.
2. Flammability: UL94V-0
3. ASTM oxygen index: > 28%
4. Insulation System: Class F 155°C. UL file E151556
5. Operating Temperature Range: All listed parameters are to be within tolerance from -40°C to +85°C
6. Storage Temperature Range: -55°C to +125°C
7. Aqueous wash compatible
8. Electrical and mechanical specifications 100% tested
9. RoHS Compliant Component

XFMRs Inc. www.XFMRs.com		Title: VERTICAL MOUNT COMBO	
UNLESS OTHERWISE SPECIFIED		P/N: XFATM2EM-CVxu1-2M	
TOLERANCES: .xxx ± 0.010		REV. A	
Dimensions in Inch	DWN.	Xiany	Jun-02-09
	CHK.	YK Liao	Jun-02-09
SHEET 1 OF 2	APP.	BW	Jun-02-09

PROPRIETARY:

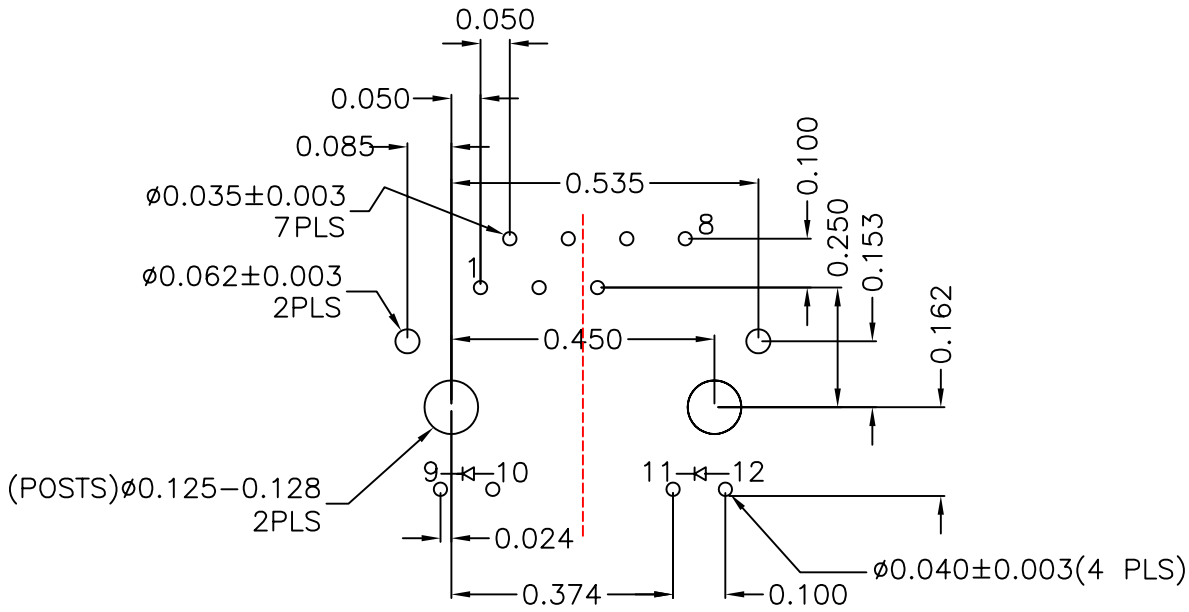
Document is the property of XFMRs Group & is not allowed to be duplicated without authorization.

Mechanical Dimensions:



*Remove Pin#7

Mounting Pattern:



P.C.B RECOMMENDED HOLE LAYOUT

DOC REV: A/1

PROPRIETARY

Document is the property of XFMRS Group & is not allowed to be duplicated without authorization.

XFMRS Inc. www.XFMRS.com		Title: Mechanical Dimensions For CVxu1-2M Series	
UNLESS OTHERWISE SPECIFIED TOLERANCES: .xxx ±0.010 Dimensions in Inch		P/N: XFATM2EM-CVxu1-2M	REV. A
DWN.	Xianyi	Jun-02-09	
CHK.	YK Liao	Jun-02-09	
SHEET 2 OF 2	APP.	BW	Jun-02-09