

Power Splitter/Combiner

ZC4PD-153+

4 Way-0° 50Ω 6000 to 15000 MHz



CASE STYLE: Z184

Connectors Model
SMA ZC4PD-153-S+

+RoHS Compliant

The +Suffix identifies RoHS Compliance. See our web site for RoHS Compliance methodologies and qualifications

Maximum Ratings

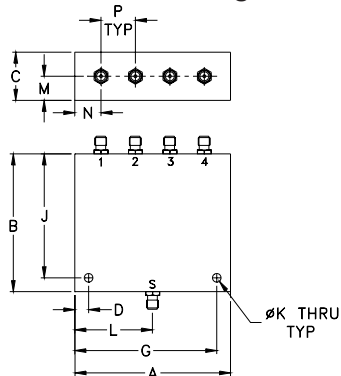
Operating Temperature	-55°C to 100°C
Storage Temperature	-55°C to 100°C
Power Input (as a splitter)	10W max.
Internal Dissipation	0.375W max.

DC Current 1.0 A (250mA for each port)
Permanent damage may occur if any of these limits are exceeded.

Coaxial Connections

SUM PORT	S
PORT 1	1
PORT 2	2
PORT 3	3
PORT 4	4

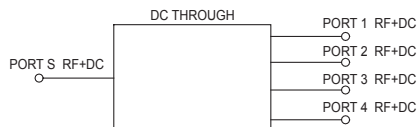
Outline Drawing



Outline Dimensions (inch/mm)

A	B	C	D	G	J
2.26	2.00	.70	.200	2.060	1.800
57.40	50.80	17.78	5.08	52.32	45.72
K	L	M	N	P	wt
.125	1.13	.35	.38	.500	grams
3.18	28.70	8.89	9.65	12.70	59

Electrical Schematic



Features

- wideband, 6000 to 15000 MHz
- good isolation, 22 dB typ.
- up to 10W power input as splitters
- good amplitude unbalance, 0.4 dB typ.

Applications

- cable TV
- communication systems
- satellite instrumentation
- cellular
- SHF

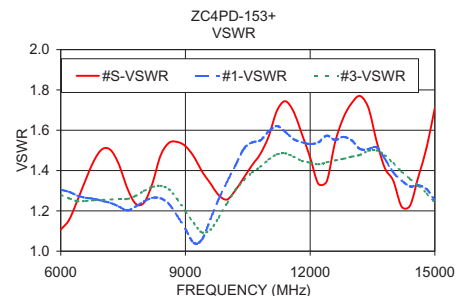
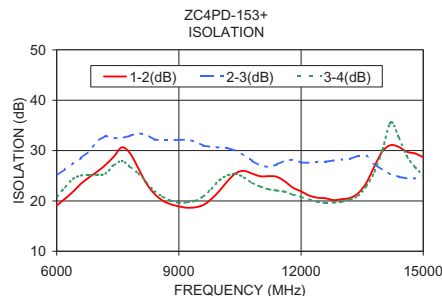
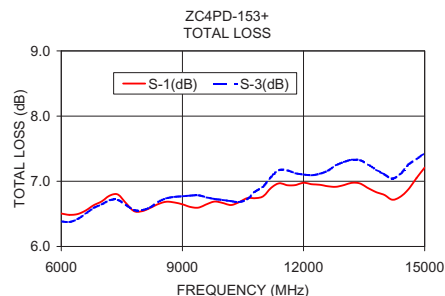
Electrical Specifications at 25°C

Parameter	Frequency (MHz)	Min.	Typ.	Max.	Unit
Frequency Range		6000		15000	MHz
Insertion Loss (above theoretical 6.0 dB)	6000-12000 12000-15000	-	1.2 1.4	2.0 2.6	dB
Isolation	6000-15000	15.0	22.0	-	dB
Phase Unbalance	6000-15000	-	8.0	15.0	Degree
Amplitude Unbalance	6000-15000	-	0.4	1.1	dB
VSWR (Port S)	6000-12000 12000-15000	-	1.5 1.8	1.9 2.3	:1
VSWR (Port 1-4)	6000-15000	-	1.45	1.90	:1

Typical Performance Data

Freq. (MHz)	Total Loss ¹ (dB)				Amp. Unbal. (dB)	Isolation (dB)			Phase Unbal. (deg.)	VSWR S	VSWR 1	VSWR 2	VSWR 3	VSWR 4
	S-1	S-2	S-3	S-4		1-2	2-3	3-4						
6000.00	6.51	6.39	6.38	6.41	0.12	19.08	25.03	20.72	1.58	1.11	1.30	1.34	1.28	1.24
6400.00	6.50	6.45	6.42	6.43	0.08	21.83	27.51	24.38	1.61	1.25	1.28	1.31	1.25	1.22
7000.00	6.69	6.69	6.64	6.61	0.08	25.84	31.94	25.18	1.81	1.51	1.25	1.29	1.25	1.23
7400.00	6.80	6.73	6.71	6.73	0.08	28.77	32.48	27.05	1.65	1.43	1.22	1.28	1.26	1.21
8000.00	6.54	6.57	6.56	6.59	0.04	26.52	33.44	25.46	1.92	1.24	1.25	1.28	1.30	1.25
8400.00	6.65	6.67	6.68	6.70	0.05	21.41	32.16	21.95	1.81	1.47	1.26	1.29	1.32	1.28
9000.00	6.65	6.70	6.77	6.69	0.12	18.92	32.12	19.65	2.22	1.52	1.11	1.13	1.20	1.18
9400.00	6.60	6.73	6.79	6.61	0.19	18.73	31.79	20.03	2.74	1.40	1.06	1.08	1.09	1.05
10000.00	6.67	6.76	6.71	6.66	0.10	22.05	30.59	24.16	3.16	1.26	1.34	1.32	1.24	1.23
10400.00	6.68	6.81	6.68	6.65	0.16	25.52	29.95	25.39	2.75	1.36	1.51	1.45	1.35	1.38
11000.00	6.77	7.01	6.92	6.71	0.29	24.89	26.99	22.86	2.60	1.57	1.59	1.53	1.45	1.48
12000.00	6.98	7.19	7.10	6.88	0.31	21.90	27.62	20.78	3.19	1.46	1.53	1.48	1.44	1.45
13000.00	6.94	7.35	7.30	6.94	0.41	20.34	28.23	19.83	3.67	1.73	1.55	1.47	1.47	1.56
14000.00	6.79	7.20	7.11	6.86	0.41	29.84	26.12	30.17	4.17	1.35	1.39	1.37	1.44	1.56
15000.00	7.21	7.67	7.43	7.17	0.50	28.67	25.05	25.18	4.38	1.71	1.25	1.19	1.24	1.41

1. Total Loss = Insertion Loss + 6dB splitter loss.



Notes

- Performance and quality attributes and conditions not expressly stated in this specification document are intended to be excluded and do not form a part of this specification document.
- Electrical specifications and performance data contained in this specification document are based on Mini-Circuit's applicable established test performance criteria and measurement instructions.
- The parts covered by this specification document are subject to Mini-Circuits standard limited warranty and terms and conditions (collectively, "Standard Terms"); Purchasers of this part are entitled to the rights and benefits contained therein. For a full statement of the Standard Terms and the exclusive rights and remedies thereunder, please visit Mini-Circuits' website at www.minicircuits.com/MCLStore/terms.jsp

