

Heatsink

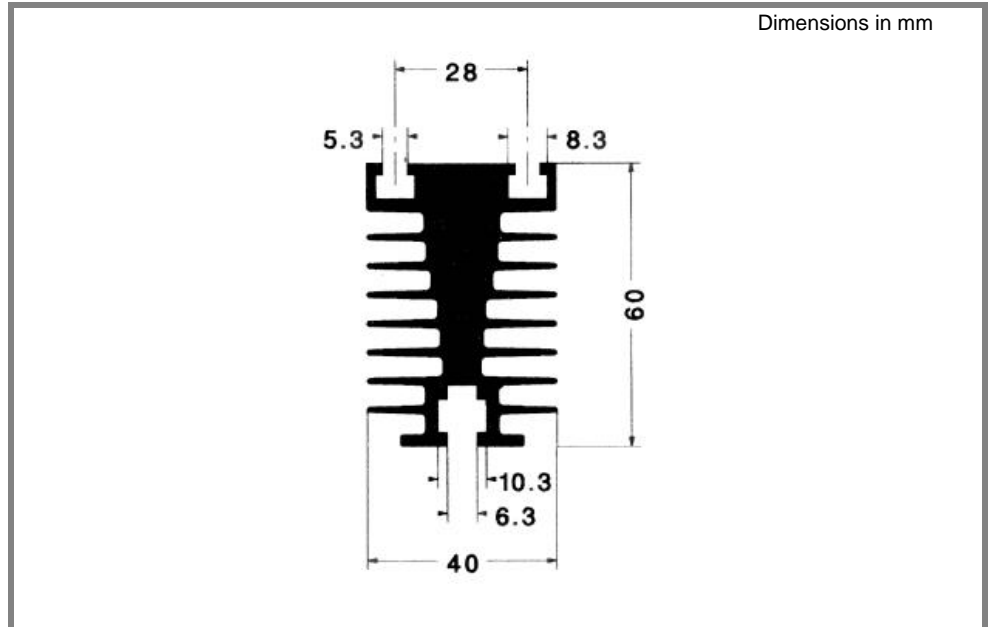
For stud devices

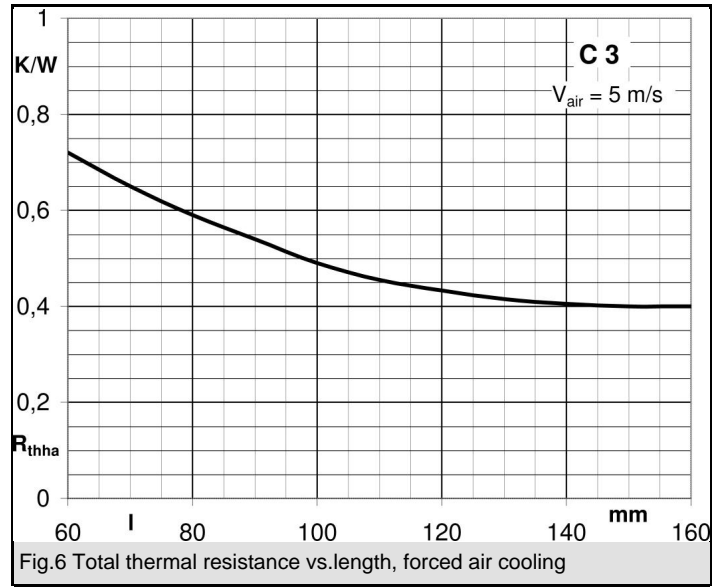
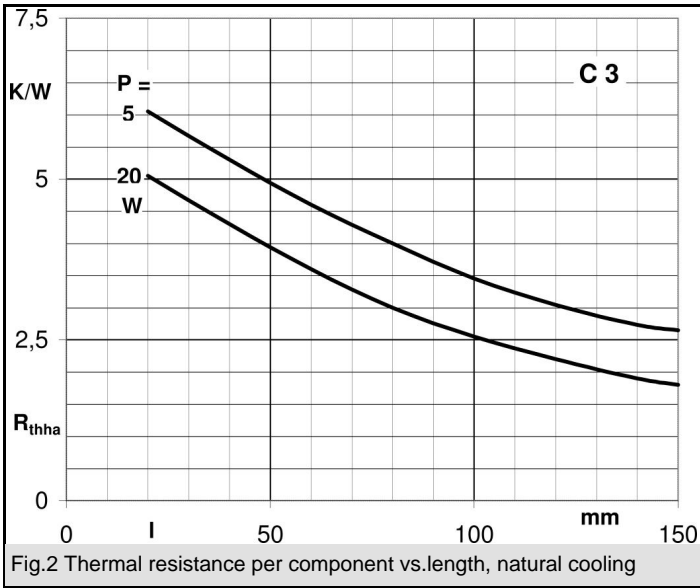
C 3

**Features**

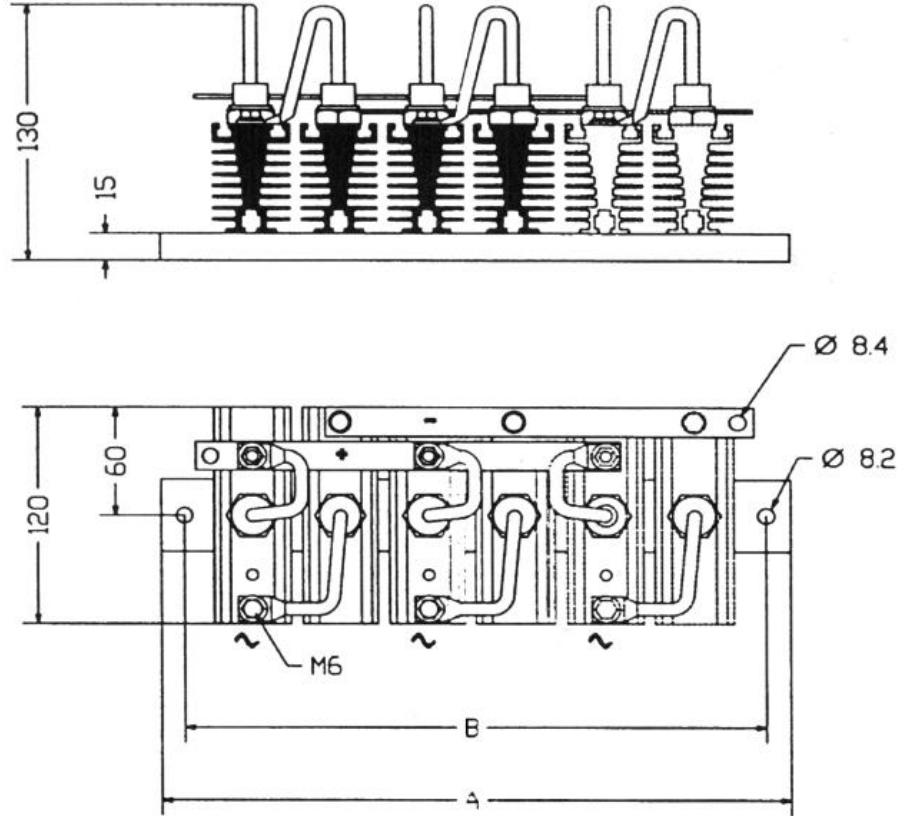
- Intended for stud mounted devices
- Available in various lengths
- Several devices can be mounted on a single heatsink

Standard lengths	n	b / d Ø mm	R <sub>thha</sub> (P = 20W) natural cooling K/W	R <sub>thha</sub> (V <sub>air</sub> = 5 m/s) forced air cooling K/W	w kg
C 3/120	1		2,2	0,43	0,4





C3/120



	B2 4 x C3/120	B6 6 x C3/120
A	234	326
B	210	302

1. Application example using 4x or 6x heatsink C 3/120 to give a single or three phase bridge rectifier