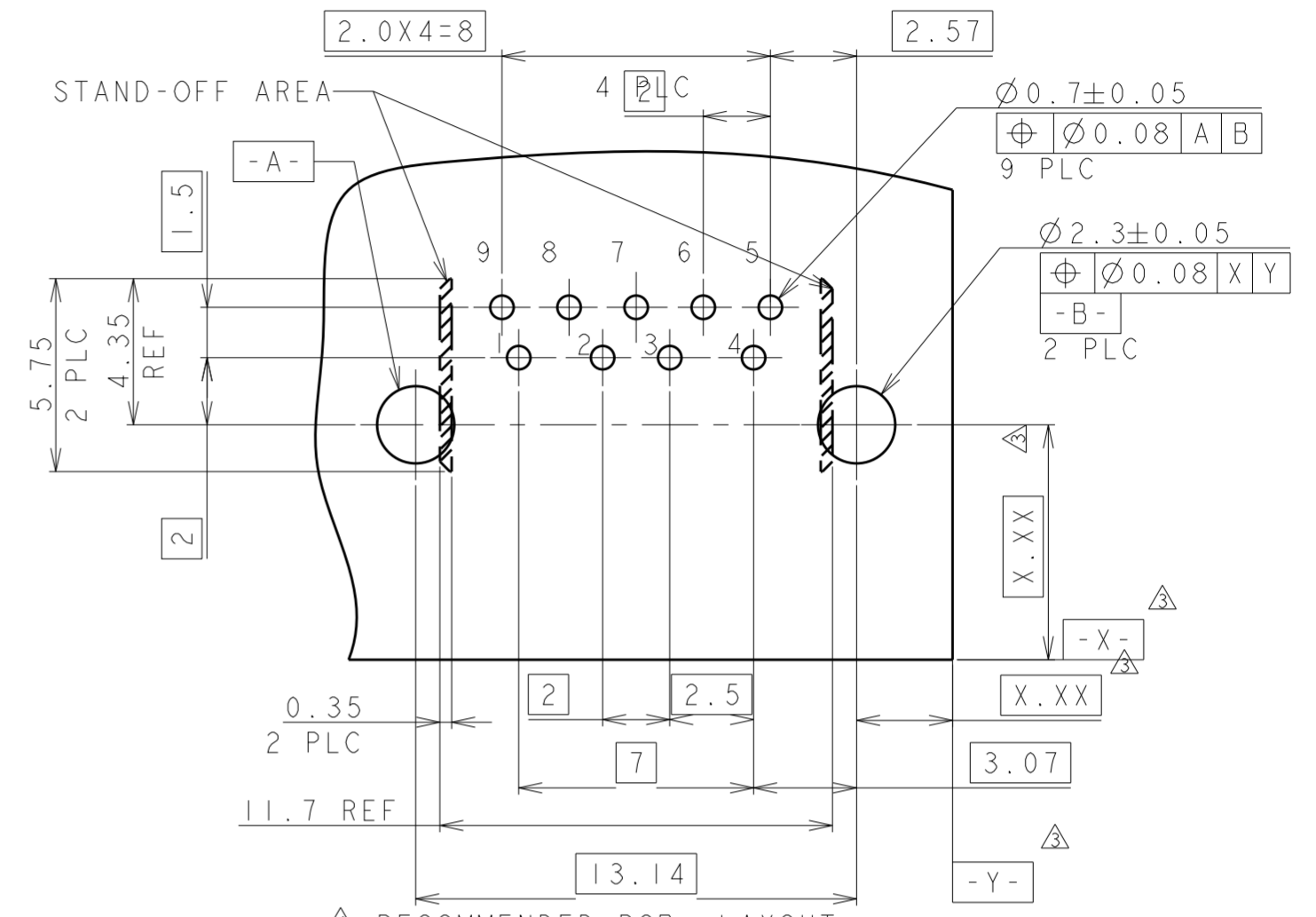
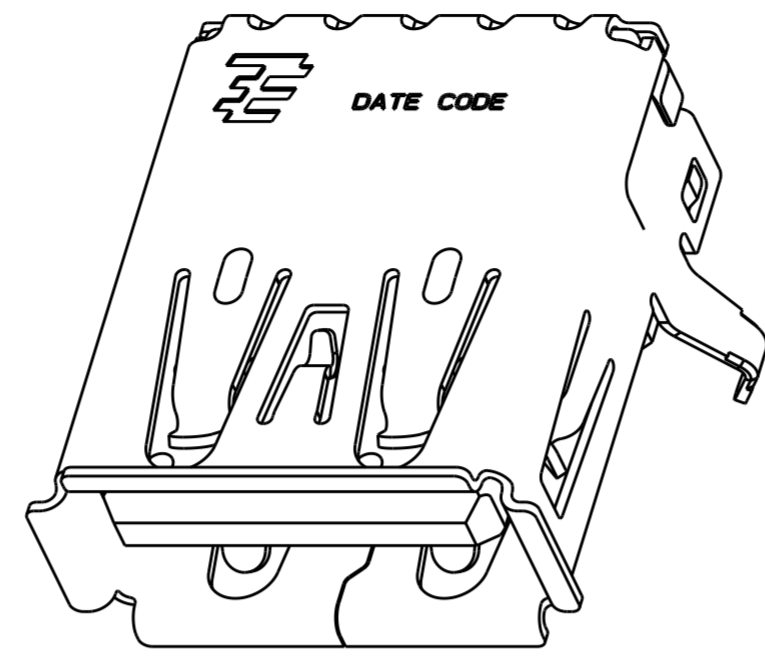
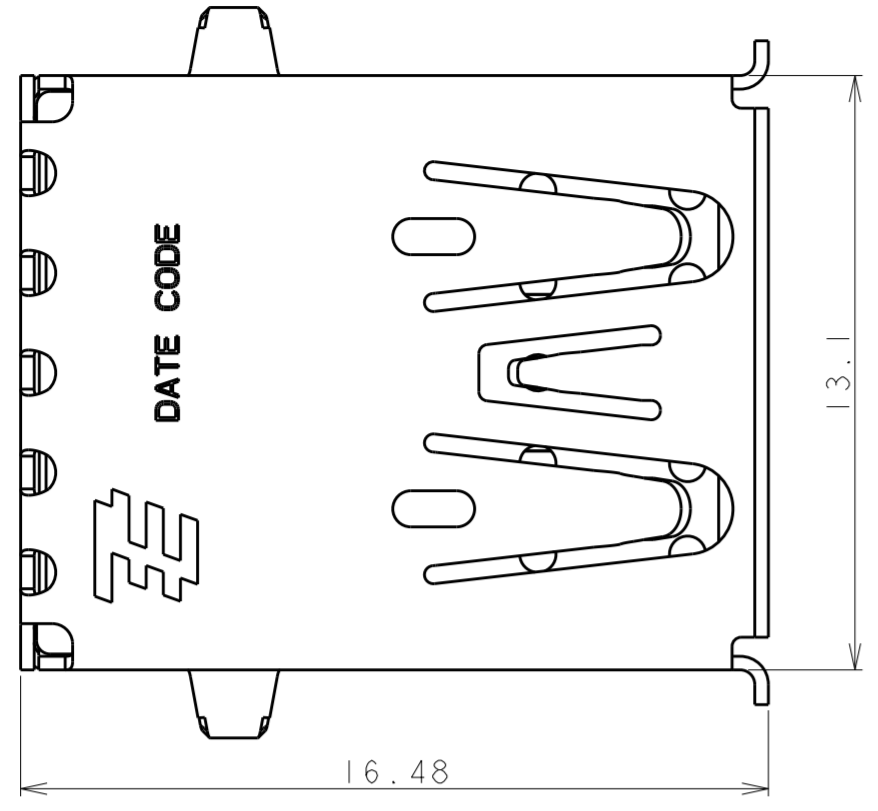


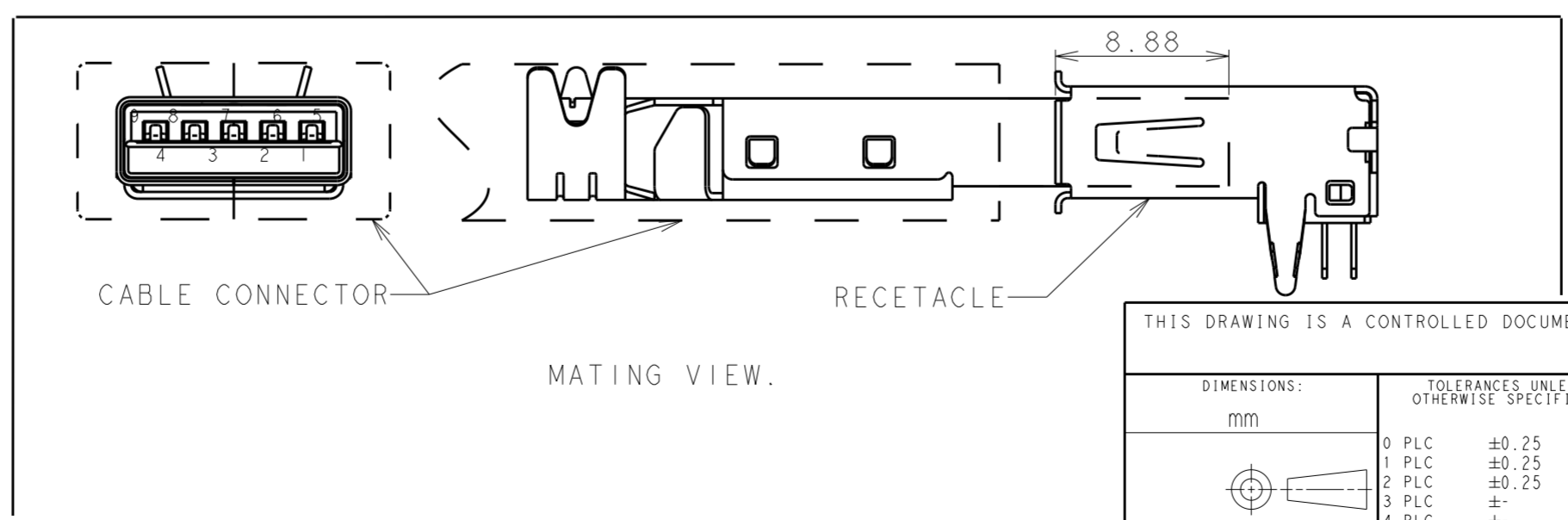
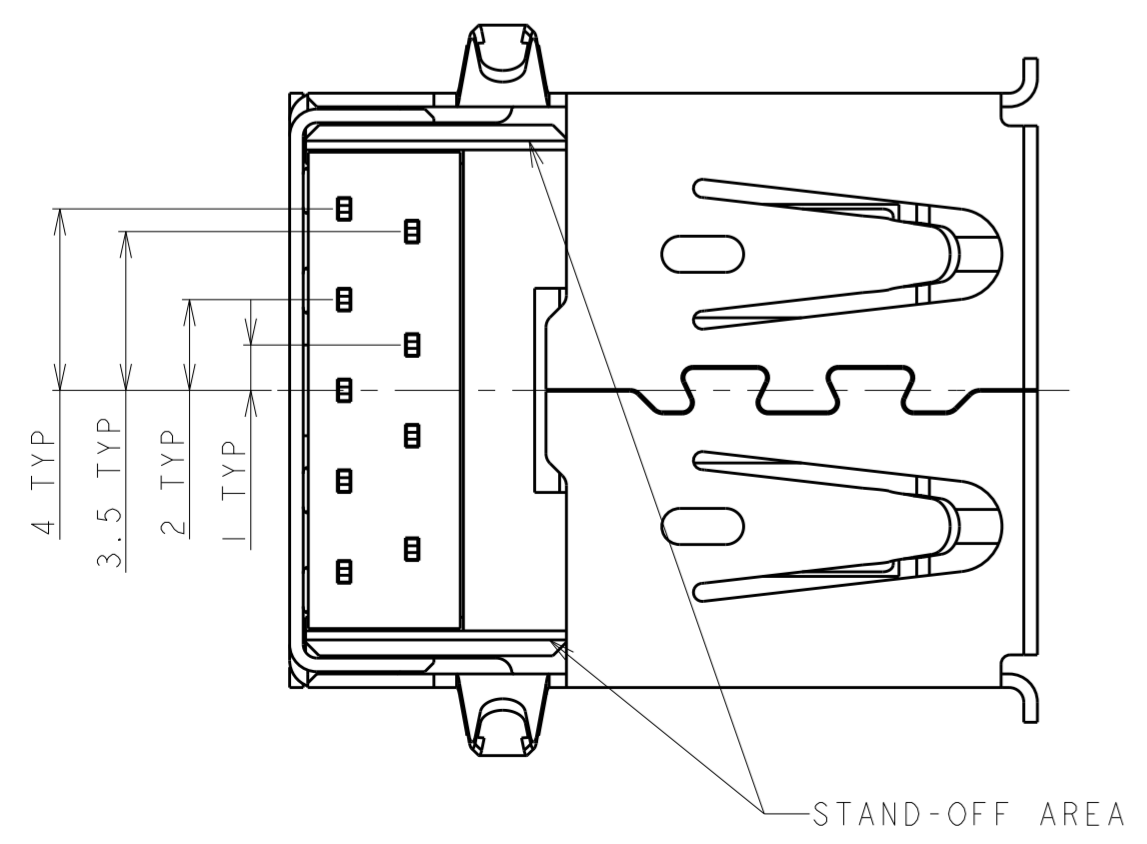
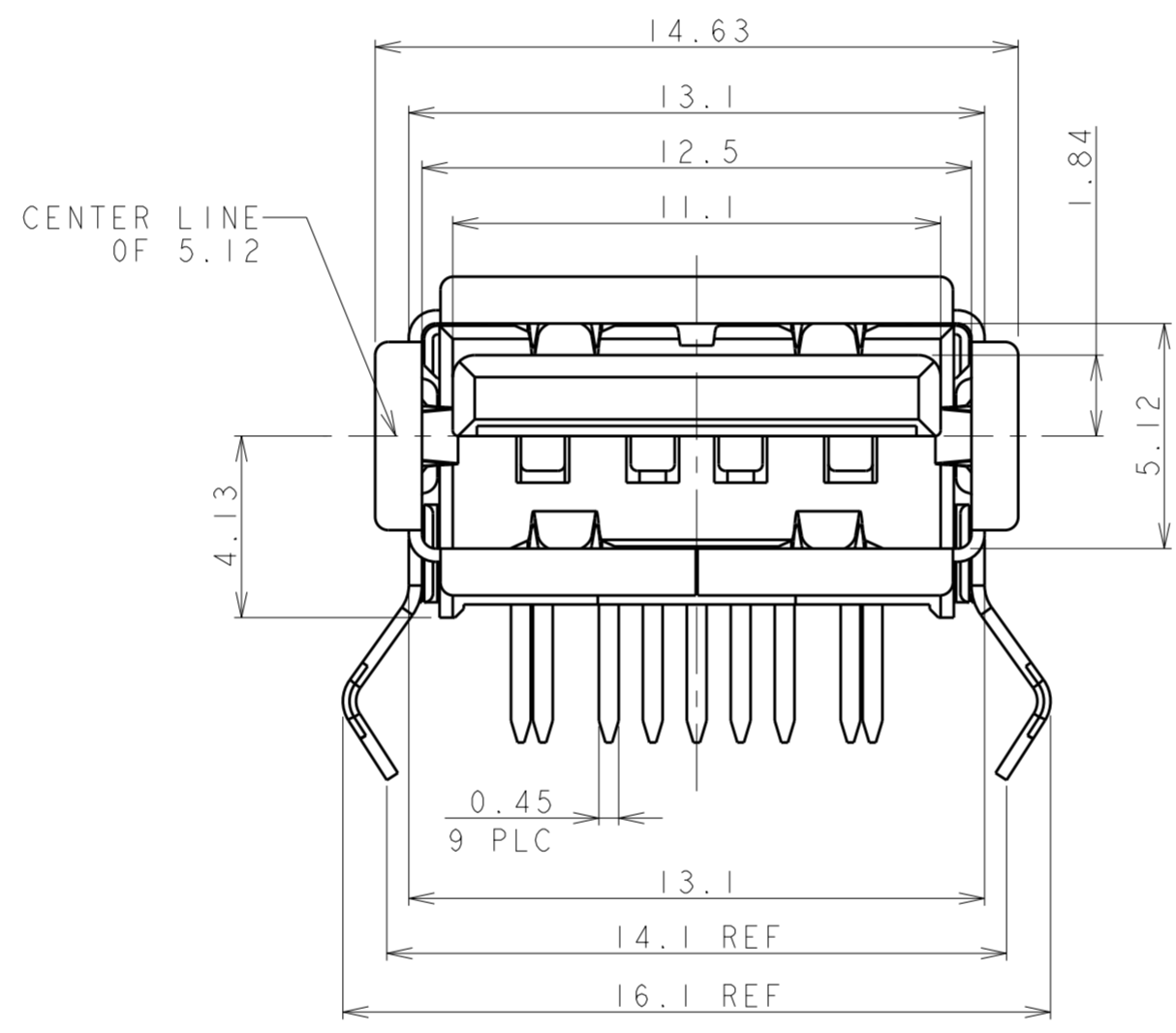
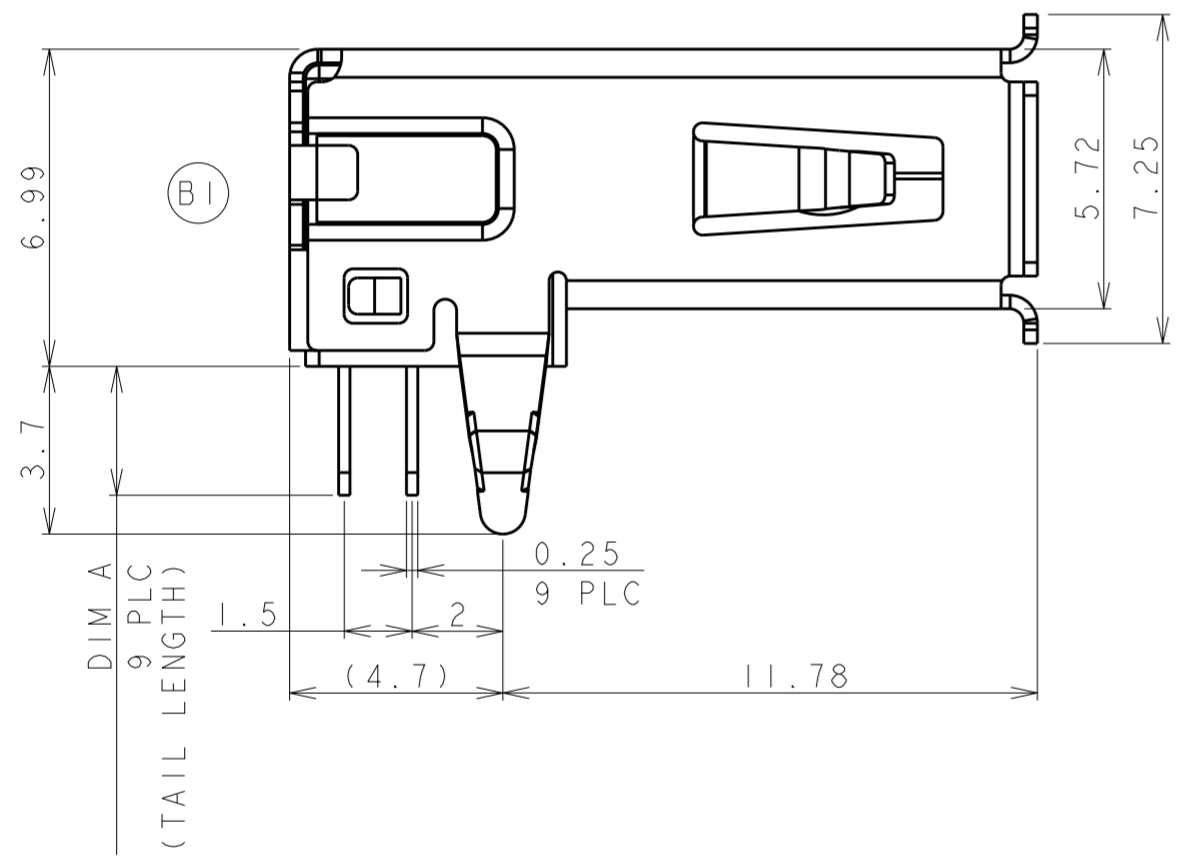
THIS DRAWING IS UNPUBLISHED. RELEASED FOR PUBLICATION 20
 © COPYRIGHT 20 ALL RIGHTS RESERVED.

LOC		DIST		REVISIONS			
P	LTR	DESCRIPTION	DATE	DWN	APVD		
ES	00						
A2		REVISED PER ECO-11-005033	15APR11	RK	HMR		
B		REVISED PER ECR-14-012319	18SEP2014	F.L	J.L		
B1		REVISED PER ECR-15-014919	14OCT2015	T.Z	H.W		
-							



NOTE:
 △ MATERIAL:
 SHELL AND CONTACTS: COPPER ALLOY
 HOUSING: THERMOPLASTIC, BLUE, UL94-HB.
 △ PLATING:
 CONTACT: GOLD FLASHED OVER 0.76um MIN Pd-Ni PLATING ON MATING AREA,
 2.54um MIN MATTE TIN ON SOLDER TAILS,
 1.27um MIN NICKEL UNDER PLATING.
 SHELL: TIN OVER NICKEL PLATING
 △ DATUM AND BASIC DIMENSIONS ESTABLISHED BY CUSTOMER
 △ RECOMMENDED PC BOARD THICKNESS OF 1.60.
 △ PLATING:
 CONTACT: 0.76um MIN GOLD PLATING ON MATING AREA,
 2.54um MIN. MATTE TIN ON SOLDER TAILS,
 1.27um MIN NICKEL UNDER PLATING.
 SHELL: TIN OVER NICKEL PLATING
 △ THIS PART IS PRELIMINARY.
 △ MATERIAL:
 SHELL AND CONTACTS: COPPER ALLOY
 HOUSING: THERMOPLASTIC, BLUE, UL94V-0.
 8. PIN ASSIGNMENT:

PIN NO.	1	2	3	4	5	6	7	8	9
SIGNAL NAME	VBUS	D-	D+	GND	STDA_SSRX-	STDA_SSRX+	GND_DRAIN	STDA_SSTX-	STDA_SSTX+
REMARK	USB 2.0 CONTACT PIN				USB 3.0 CONTACT PIN				



2.84	△	△	1-1932258-2 △
2.84	△	△	1932258-2
2.84	△	△	1-1932258-1 △
2.84	△ OR △	△	1932258-1
DIM A	FINISH	MATERIAL	PART NUMBER

THIS DRAWING IS A CONTROLLED DOCUMENT.

DIMENSIONS:	TOLERANCES UNLESS OTHERWISE SPECIFIED:	DWN	19SEP2010	 TE Connectivity
mm	0 PLC ±0.25	CHK	19SEP2010	
	1 PLC ±0.25	APVD	19SEP2010	
	2 PLC ±0.25	PRODUCT SPEC	108-115001	
	3 PLC ±	APPLICATION SPEC	501-115002	NAME
	4 PLC ±	WEIGHT	-	SIZE
	ANGLES ±3°	Customer Drawing		CAGE CODE
	FINISH			DRAWING NO
				RESTRICTED TO
				A200779C-1932258
				SCALE
				NTS
				SHEET
				OF
				REV
				B1