

## Boiler Pump Overrun Solution

### Features:

- Supplied ready to operate
- Replaces “Switched Live Cables”
- Quick and Simple to Install
- Up to 5Km range line of sight.
- Up to 1Km range in buildings
- Weatherproof IP65 Enclosures
- Simple Screw Terminal Connections
- Operates from 110Vac or 230Vac
- RED Compliant and FCC Certified
- High Quality UK manufacture
- Patent Pending



### Description

MAINSLINK-PRO removes the need to lay “Switched Live Cables” between the Boiler and the wiring Centre. It provides a two way 230Va switching RF link.

MAINSLINK-PRO consists of two identical units. One unit is installed by the boiler and the other within the wiring Centre.

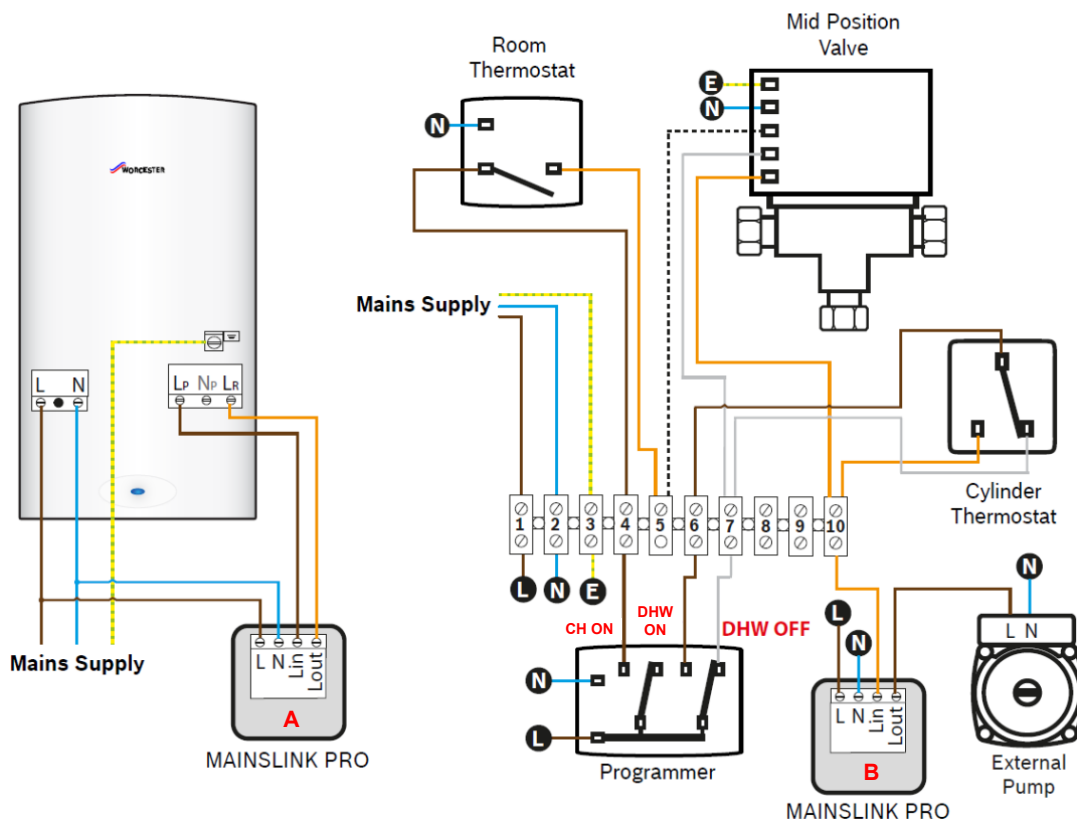
Each unit has a ‘Live In’, and a ‘Live Out’ screw terminal . When the ‘LIVE in’ is ‘Live’ at one unit it sends an RF signal to the other unit which switches its ‘LIVE out’ ‘LIVE’ , and vice versa,

MAINSLINK-PRO utilises the RF Solutions state of the art RF-LoRa spread Spectrum Frequency hopping transceiver design to achieve a the highest performance / Range available from any Radio link.

### Ordering Information

Part Number	Description
MAINSLINK-PRO	System consisting Pair of Transceiver units, 868MHz

## Application example: WORCESTER-BOSCH Boiler Installation



This system provides two functions, Switching of the Pump from the boiler and Switching of the Boiler from the wiring Centre.

### Connections at the Boiler

The boiler output to the Pump is connected to the MAINSLINK-PRO A, (Lin)

The boiler switching input is connected to the MAINSLINK-PRO A (Lout)

### Connections at the Wiring Centre

The thermostats switching output to switch the boiler is connected to the MAINSLINK-PRO B (Lin)

The Pump is connected to the MAINSLINK-PRO B (Lout)

### Operation

When the wiring centre commands the Boiler ON MAINSLINK-PRO B (Lin) is switched is Live then MAINSLINK-PRO A Lout will automatically switch a LIVE signal to turn the boiler on.

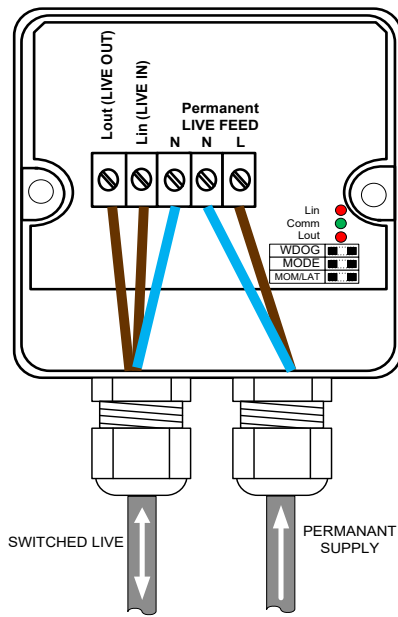
When the Boiler switches the Pump drive ON MAINSLINK-PRO, (Lin) "A" is switched Live then MAINSLINK-PRO B Lout will automatically switch the pump on.




### Warnings :



- Hardwired units must be connected via an isolating switch.
- Product is not independently isolated, ISOLATE the mains electricity supply before removing the cover and observe any relevant safety precautions. Maintenance to the product that involves removal of the cover should only be carried out by a competent person or qualified electrician.
- F2 Fuse rating is 4A (T) 250. Replace fuse with same type and rating.
- Relay is rated at 10A peak, and 5A constant.
- Product must be connected to a switch fused (spur/supply) or BS 1363 Plug.
- Fuse rupture rating H (ceramic)

## Installation



LED	Off	On	Flashing
L in 	No Input	LIVE input at terminal	
Comms 		RF Link Healthy	See Comms LED Table
L out 	Output is OFF	Output is LIVE	

### Connect the Supply to both units

Connect the permanent LIVE and NEUTRAL supply.

### Comms LED

Check the Green LED is always ON when both units are powered

### Connect the Switched Input L in

When the Switched Live input (LIN) is 'LIVE' the Red Lin will illuminate, and the L out at the other unit will then switch Live out

### Connecting the Switching Load L out

Connect the LOAD Live to Lout

When the Switched Live Output (LOUT) is 'LIVE' the Red L OUT LED will illuminate

### Watchdog Signal





MAISNLINK-PRO automatically transmits an rf 'watchdog' signal every ~30secs in the background. If the WDOG signal is not received within 90seconds, the output will drop out and comms LED will flash. This provides improved reliability and security useful in noisy or poor reception areas.

### Multiple System Operation:

Each MAINSLINK-PRO system contains a unique identity so multiple systems can operate within the same area without interfering with each other.

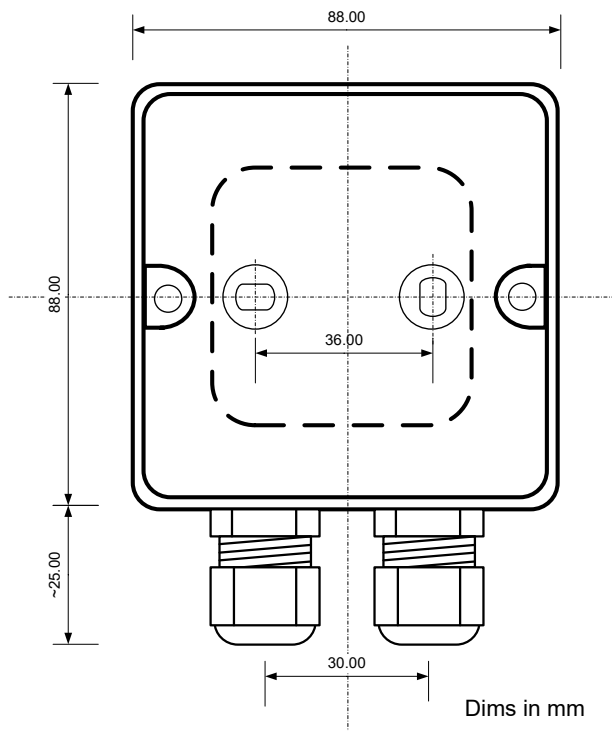
## Comms LED

The Comms indicates the status of the MAINSLINK-PRO

COMMS LED Table				
	ON	One Flash	Two Flashes	3 Flashes
Operation				
Status	RF Link Healthy	Out of range	Powered But unpaired	In Pairing Mode
Description	System operating OK	No RF connection to other MAINSLINK-PRO	Waiting to be paired to another MAINSLINK-PRO	Actively sending an RF 'Please Pair message'

## Dimensions and Wall mounting information:

MAINSLINK-PRO is a professional use product and should only be installed by a competent person. The product must be FIXED to the wall (EN60950 4.1)



## Fixing Instructions:

1. Fix the rear of the MAINSLINK-PRO enclosure to the wall using the template above.
2. Ensure that all fixing screws are screwed flush to the enclosure.
3. Ensure that the screw covers are put in place. These ensure water proofing and insulate the PCB from the wall fixing screws. Screw Covers are found inside the rear of the enclosure.
4. Once the enclosure is fixed to the wall, screw on the front plate with the PCB in place.

## Important European compliance information

This RF Solutions product meets the essential requirements of the European Radio Equipment Directive 2014/53/EU and has been tested to European Harmonised Standards and CE marked accordingly. A copy of the EU Declaration of Conformity can be located on the RF Solutions Website, [www.rfsolutions.co.uk/certification-i59](http://www.rfsolutions.co.uk/certification-i59).

### RF Solutions Ltd. Recycling Notice

Meets the following EC Directives:

#### DO NOT

Discard with normal waste, please recycle.

#### ROHS Directive 2002/95/EC

Specifies certain limits for hazardous substances.

#### WEEE Directive 2002/96/EC

Waste electrical & electronic equipment. This product must be disposed of through a licensed WEEE collection point. RF Solutions Ltd., fulfills its WEEE obligations by membership of an approved compliance scheme.



### Disclaimer:

Whilst the information in this document is believed to be correct at the time of issue, RF Solutions Ltd does not accept any liability whatsoever for its accuracy, adequacy or completeness. No express or implied warranty or representation is given relating to the information contained in this document. RF Solutions Ltd reserves the right to make changes and improvements to the product(s) described herein without notice. Buyers and other users should determine for themselves the suitability of any such information or products for their own particular requirements or specification(s). RF Solutions Ltd shall not be liable for any loss or damage caused as a result of user's own determination of how to deploy or use RF Solutions Ltd's products. Use of RF Solutions Ltd products or components in life support and/or safety applications is not authorised except with express written approval. No licences are created, implicitly or otherwise, under any of RF Solutions Ltd's intellectual property rights. Liability for loss or damage resulting or caused by reliance on the information contained herein or from the use of the product (including liability resulting from negligence or where RF Solutions Ltd was aware of the possibility of such loss or damage arising) is excluded. This will not operate to limit or restrict QuasarUK Ltd's liability for death or personal injury resulting from its negligence.