



O/E/N 83

AUTOMOTIVE LOW PROFILE MICRO RELAY

FEATURES

- Rated upto 20A
- Low profile
- Low coil power consumption
- Enclosure IP 67

APPLICATION

- ECU Controls
- Electronic fuel pump
- Lamp controls
- Starter motors
- A/C Controls
- Fan controls
- Window defogger
- Wiper controls

TECHNICAL DATA FOR CONTACT SIDE :

Areas of Application	Resistive / Inductive / Head Lamp / Capacitive Load
Contact Configuration	: 1 Form A (1 NO)
Contact Material	: Silver Alloy
Contact Rating at 23°C-13.5VDC	: 20A
Electrical Life in No. of Operations Min.	: 2×10^5
Mechanical Life in No. of Operations Min.	: 2.5×10^6
Contact Voltage Drop at 10 A (Max.)	: 30mV
Maximum Switching Current	
@ 12 VDC For 3 Sec.	: 100A

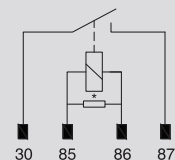
GENERAL DATA FOR COIL SIDE

Nominal Coil Power	: 1.10W (Approx)
Operate Time	: 10 milli Seconds (Typ)
Release Time	: 7 milli Seconds (Typ)

OPERATING CONDITIONS

Ambient Temperature	: -40°C to +85°C
Dielectric Strength	
Between open contacts	: 500 VRMS
Insulation Resistance	: 100 MegaOhms Min. at 500 VDC, 25°C RH 50
Vibration Resistance	: 10 to 55Hz, 4.4g (Change in switching state not more than 10µS)
Shock Resistance	: 20g, 8mS (Change in switching state not more than 10µS)
Weight	: 15 gms Max.

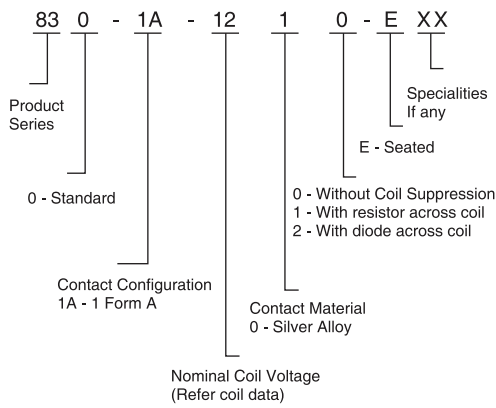
WIRING DIAGRAM



1 Form A

* Parallel resistor or diode optional

HOW TO ORDER

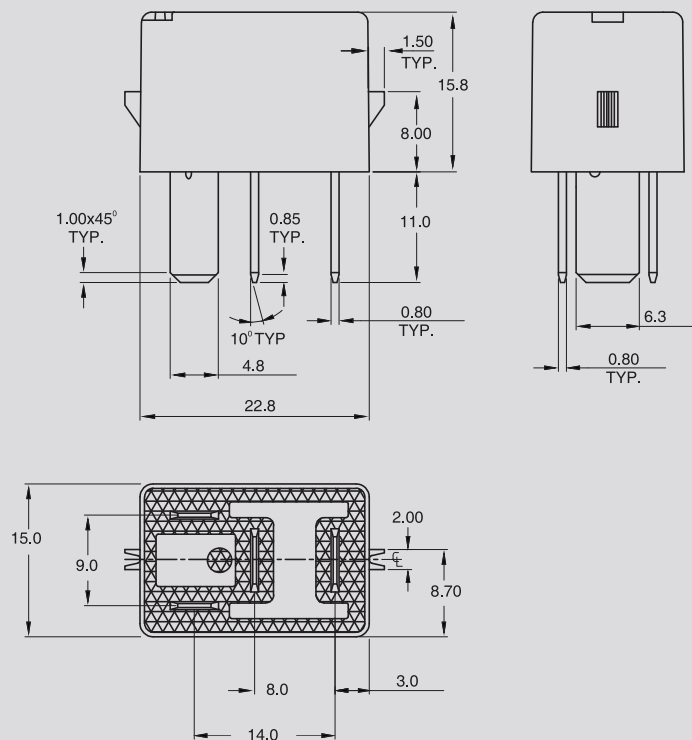


COIL DATA

Nominal Voltage V DC	**Pick Up Voltage V DC (Max)	Drop-Out Voltage V DC (Min)	Coil Resistance Ohms $\pm 10\%$
12	8.0	1.5	200
24	16.0	3.0	520

**Lower pick-up voltages available on request

DIMENSIONS



AVAILABLE ON REQUEST

- For custom solutions consult factory