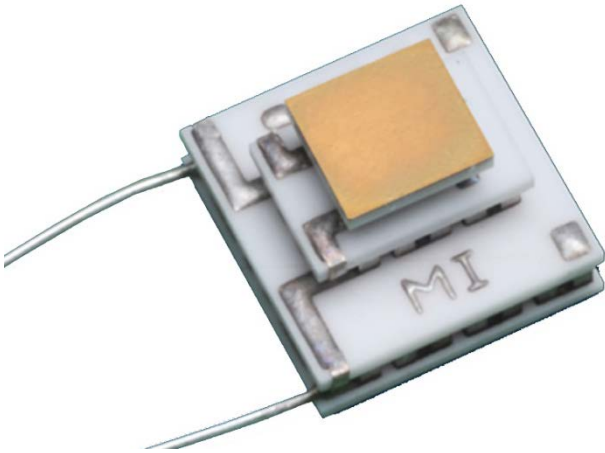




Technical Data Sheet for NL3026T

Thermoelectric Module



NOMINAL PERFORMANCE IN NITROGEN

Hot Side Temperature (°C)	27	50
ΔT_{max} (°C):	93	106
Qmax (watts):	0.62	0.71
I _{max} (amps):	1.3	1.3
V _{max} (vdc):	3.4	3.9
AC Resistance (ohms):	2.51	--

PRODUCT FEATURES

- RoHS EU Compliant
- Pretinned metallized ceramic surface(s) with 117°C solder.
- Thermistor mounted on edge of cold side ceramic. (Calibration available.)
- Elevated temperature burn-in with test data provided.

ORDERING OPTIONS

Model Number	Description
NL3026T-01	Both Surfaces are Metallized
NL3026T-02	Hot Side Exterior is Metallized
NL3026T-03	No Metallization

OPERATION CAUTIONS

For maximum reliability, storage and operation below 85°C in a non-condensing environment is recommended. To minimize thermal stress, use linear/proportional temperature control or a similar method rather than an ON/OFF method.

INSTALLATION

Recommended mounting methods: Bonding with thermal epoxy or soldering with metallized ceramics. For additional information, please refer to our TEM Installation Guide.

II-VI Marlow – Dallas, TX USA
214-340-4900
877-627-5691
marlow.sales@ii-vi.com

Marlow Industries Europe
GmbH - Germany
+49 (0) 6150 5439 - 403
info@marlow-europe.eu

II-VI Japan Inc.
81 43 297 2693 (tel)
center@ii-vi.co.jp
www.ii-vi.co.jp

II-VI Singapore Pte., Ltd.
(65) 6481 8215 (tel)
info@ii-vi.com.sg

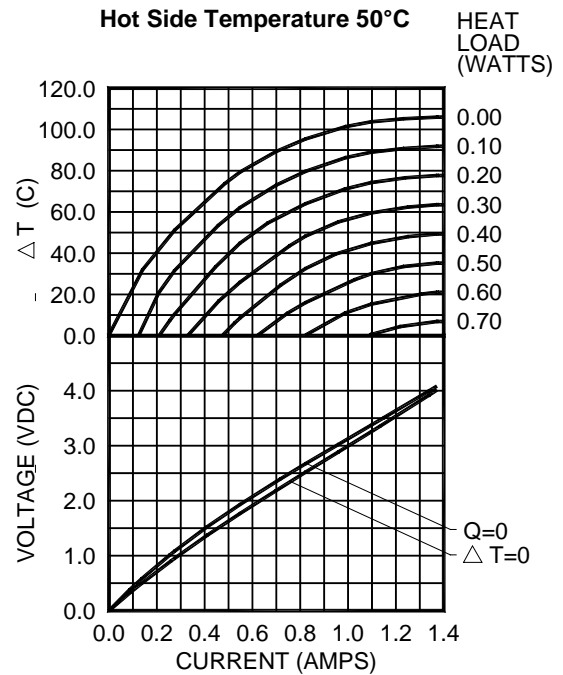
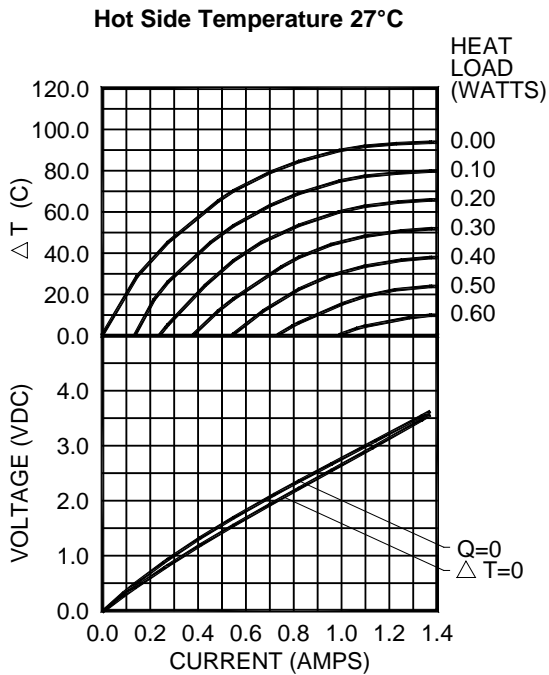
Marlow Industries China, II-VI
Technologies Beijing
86-10-643 98226
info@iivibj.com





TYPICAL PERFORMANCE CURVES

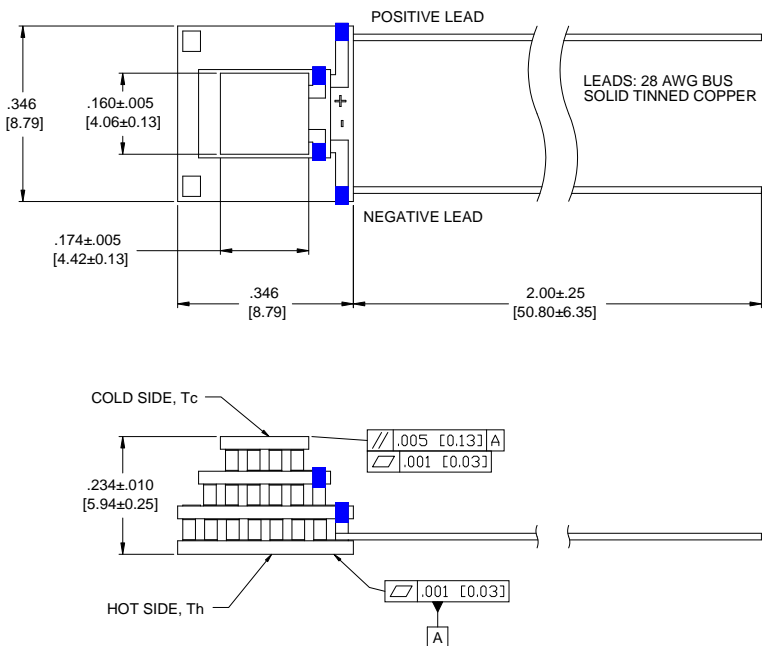
ENVIRONMENT: ONE ATMOSPHERE DRY NITROGEN



For performance information in a vacuum or with hot side temperatures other than 27°C or 50°C, contact one of our Applications Engineers at 877-627-5691.

MECHANICAL CHARACTERISTICS

Beryllium Oxide Handling Precautions
 Beryllium oxide can be toxic only when dust, mist, or fumes containing particles small enough to enter the lungs are inhaled. For the user, precautions required are to avoid grinding, machining or pulverizing the material by mechanical, thermal, or chemical processing.
 marlow industries, inc.®



CERAMIC MATERIAL: ALUMINA (AC) OR BERYLLIA (BC)

All units are in inches and [] are in millimeters unless otherwise stated.

For customer support or general questions please contact a local office or visit our website at www.marlow.com.

Marlow reserves the right to make product changes without notice.