

## DETAILS

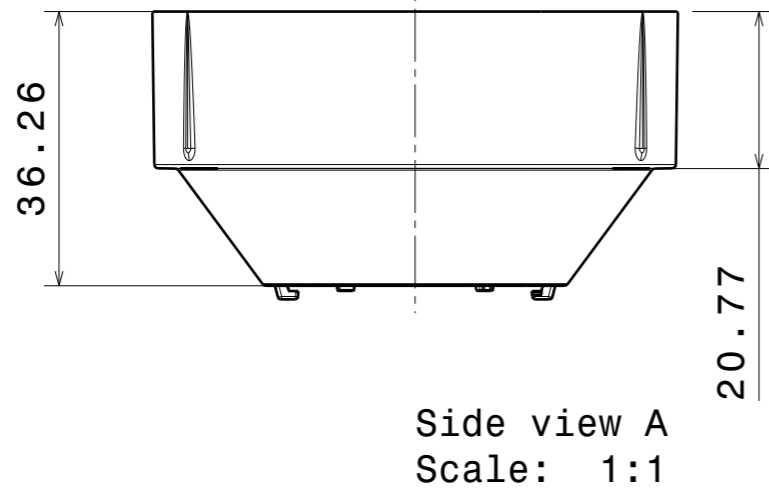
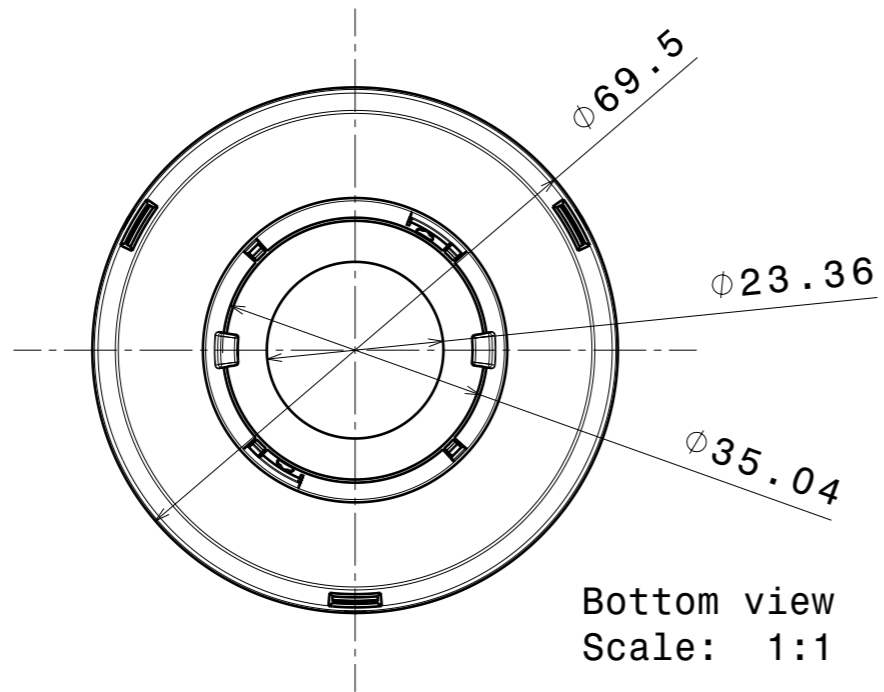
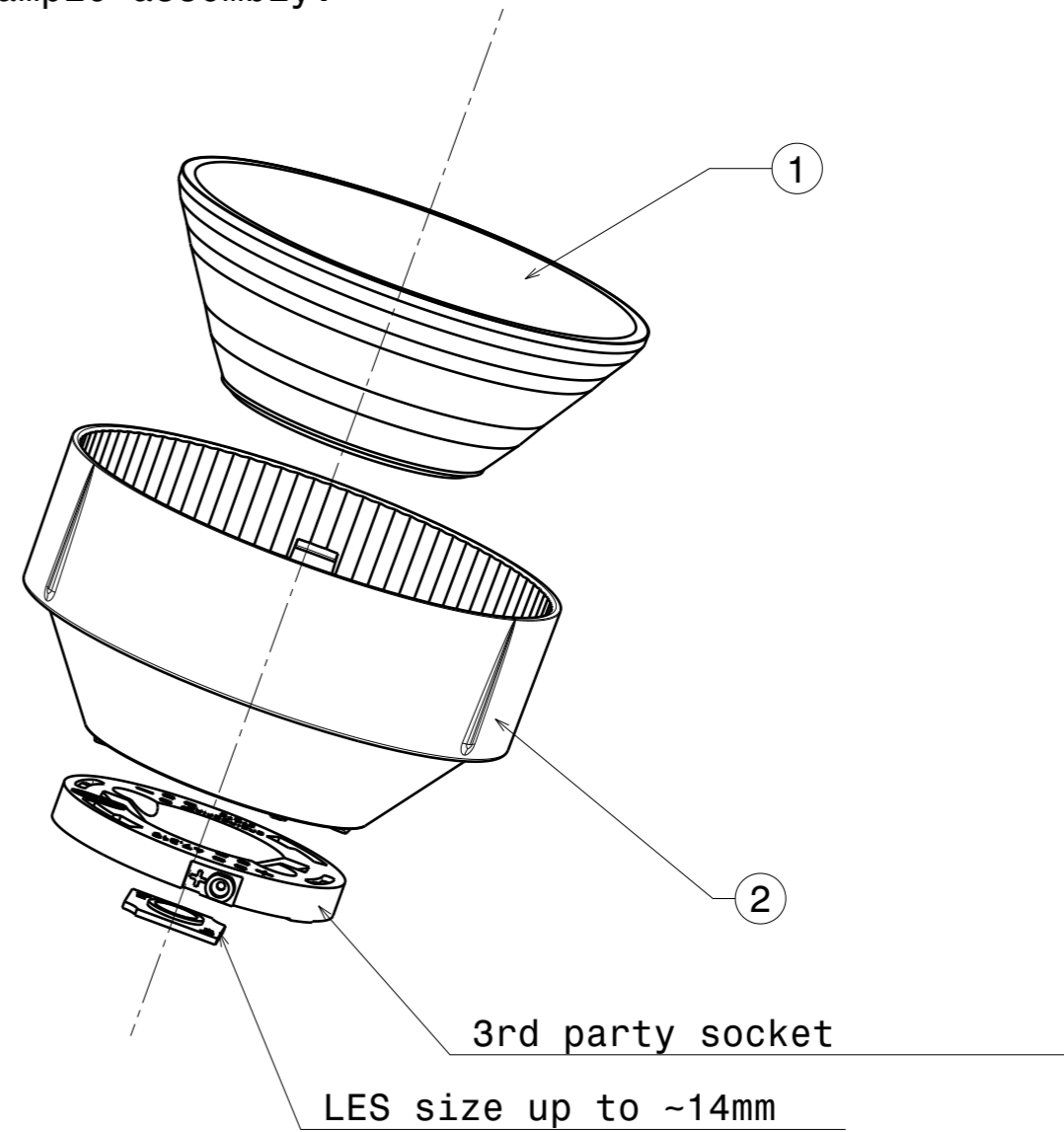
<b>Product Number</b>	CP15313_CARMEN-W-B
<b>Family</b>	CARMEN
<b>Type</b>	Assembly
<b>Color</b>	black
<b>Diameter</b>	69,5 mm
<b>Height</b>	36,26 mm
<b>Style</b>	round
<b>Optic Material</b>	PC,PMMA
<b>Holder Material</b>	
<b>Fastening</b>	
<b>Status</b>	production ready
<b>ROHS Compliant</b>	Yes
<b>Date Updated</b>	3/03/2017



## OPTICAL PROPERTIES

LED	Viewing	Light	Effi-		Connector
	Angle	Beam	ciency	cd/lm	
CLU700/701	56 deg	Wide	86 %	1.100	BJB: 47.319.6060
CLL02x/CLU02x (LES10)	sim: 55	Wide	sim: 73 %	sim: 0.960	-
CLL02x/CLU02x (LES10)	sim: 55	Wide	sim: 82 %	sim: 1.200	BJB: 47.319.6060
CXA/B 13xx	57 deg	Wide	89 %	1.100	-
CXA/B 15xx	sim: 53	Wide	sim: 73 %	sim: 0.969	-
COB D Series LES 9.8 mm	56 deg	Wide	82 %	1.040	BJB: 47.319.6060
COB D Series LES 9.8 mm	56 deg	Wide	82 %	1.040	A.A.G. STUCCHI: 8100/G2
MJT COB LES 6	55 deg	Wide	84 %	1.100	BJB: 47.319.6060

Example assembly:



INDEX	PART NO	MATERIAL	COLOUR
1	CARMEN-LENS	PMMA	
2	F15211_CARMEN-HLD-B	PC	BLACK

Tolerances if not otherwise shown  
According to DIN ISO 2768-1  
Linear measures:  
up to 30mm class M, otherwise class C  
According to DIN ISO 2768-2  
Form and position: class L

**LEDiL** LediL Oy  
Salorankatu 10  
FIN 24240 SALO  
Finland

THIRD ANGLE PROJECTION:

DRAWING TITLE  
**CARMEN - B**

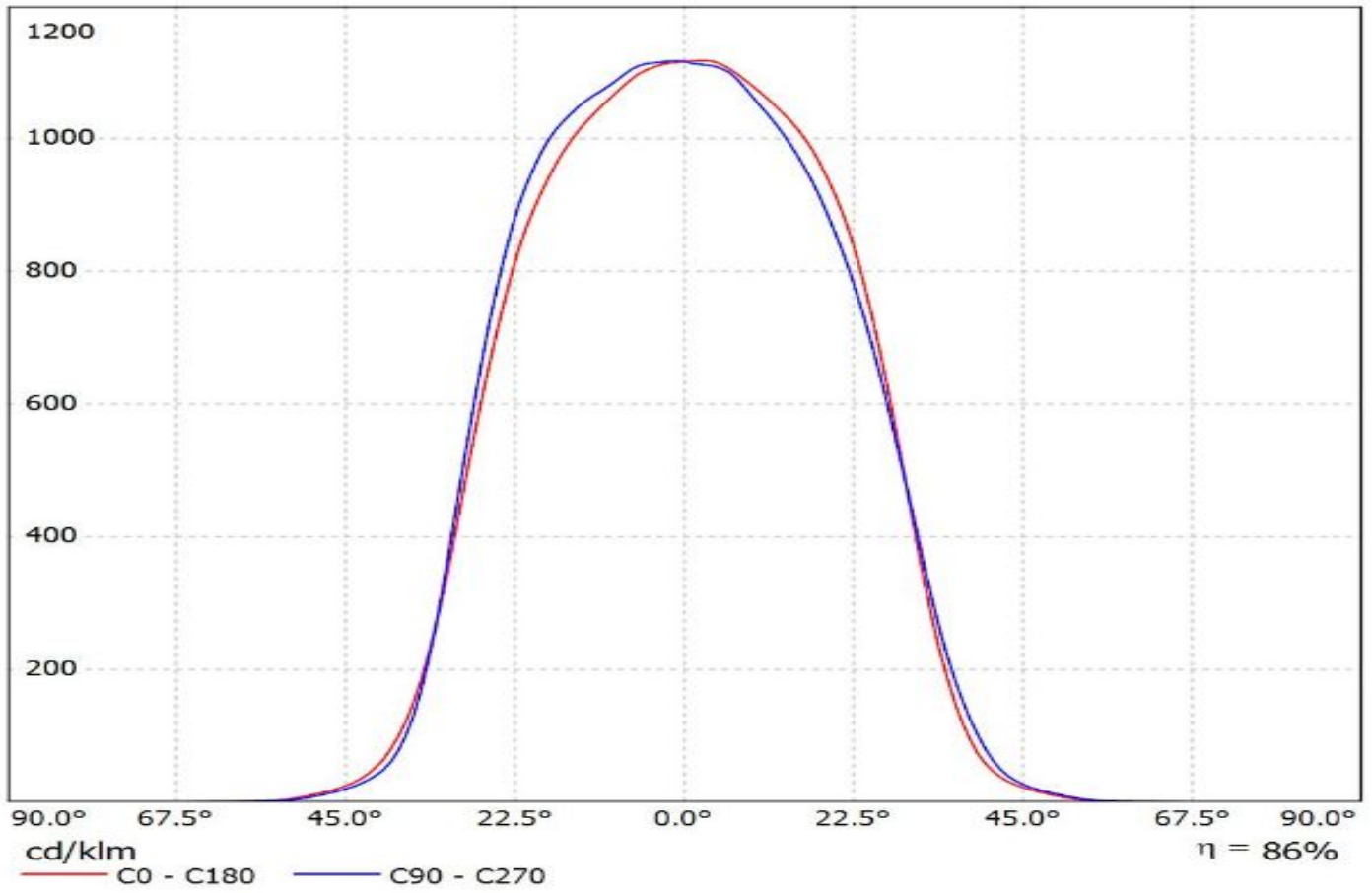
This drawing is the property of LEDiL Oy. It may not be reproduced, copied or communicated without a written agreement with LEDiL Oy.

SIZE PART NUMBER  
**A3**

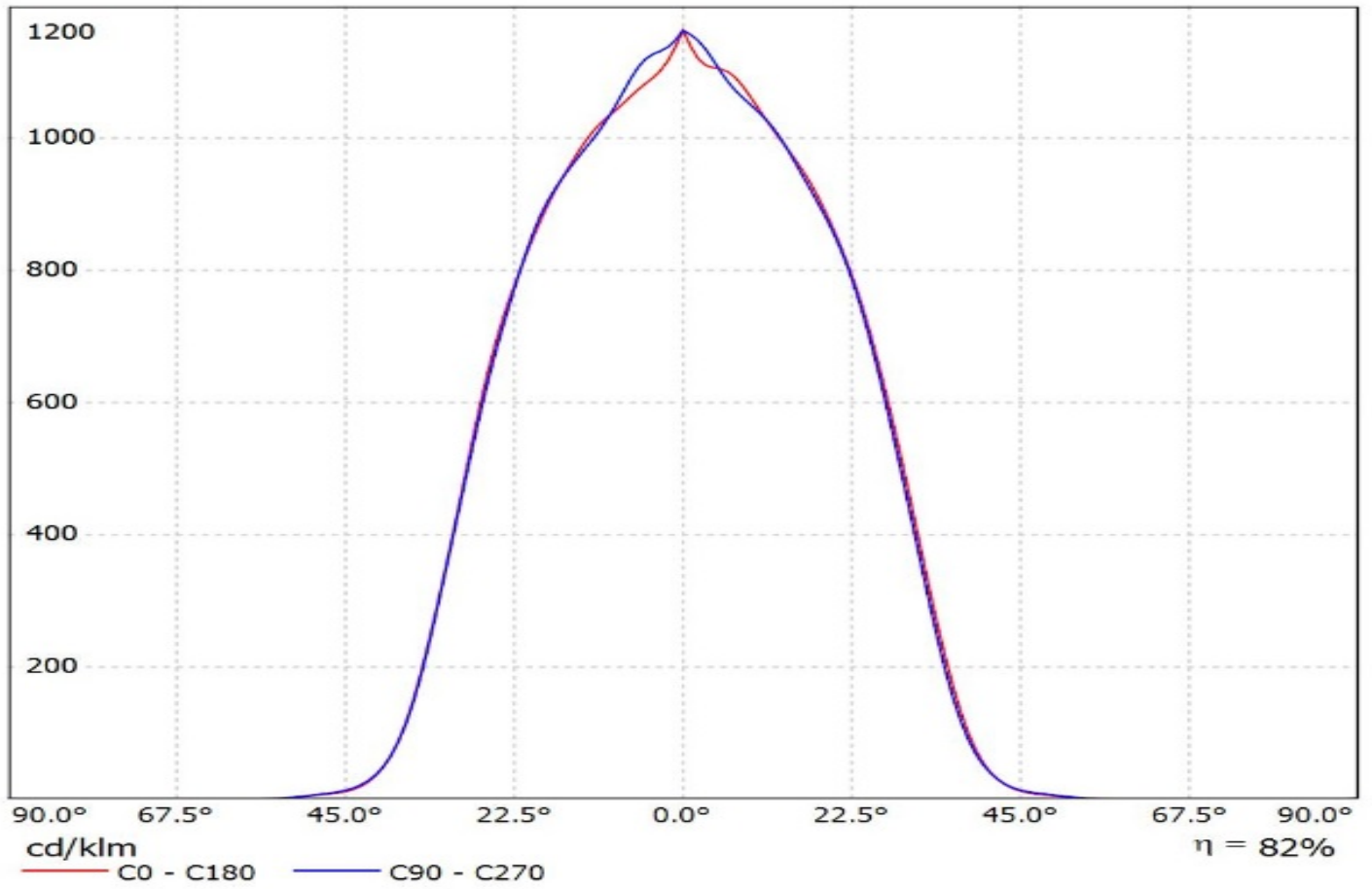
SCALE 1:1 WEIGHT SHEET 1/1

Luminaire: LEDiL Oy CP15313\_CARMEN-W-B\_(CLU700)

Lamps: 1 x Citizen\_CLU700\_(CLU700-1002B8-503M2G1)\_344.228lm@100mA\_P=3.07229W\_I=0.1A

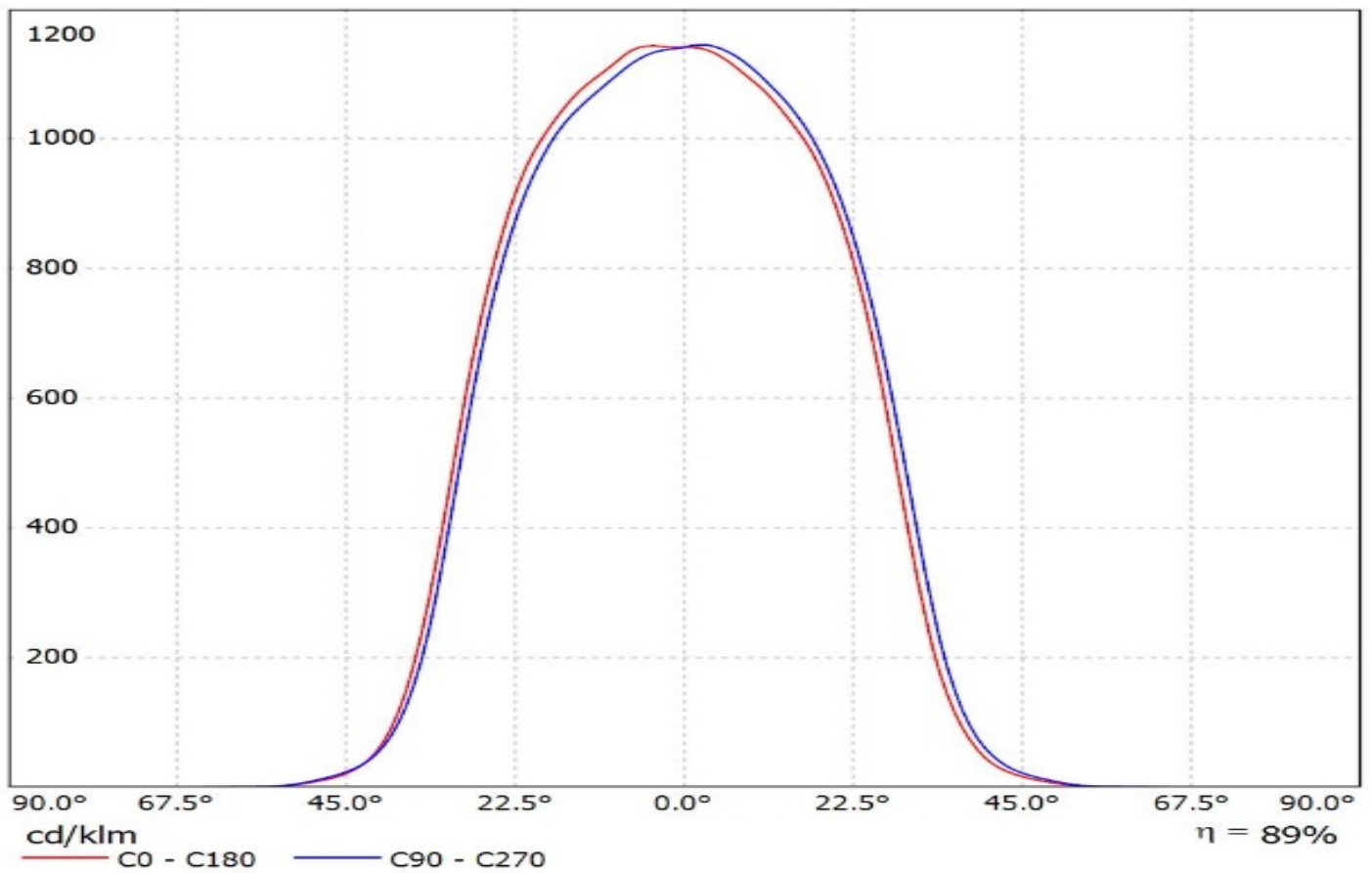


Luminaire: Ledil Oy CP15313\_CARMEN-W-B\_(CLU028)\_(47\_319\_6060)\_SIMULATED  
Lamps: 1 x Citizen CLU028 + BJB 47.319.6060 connector

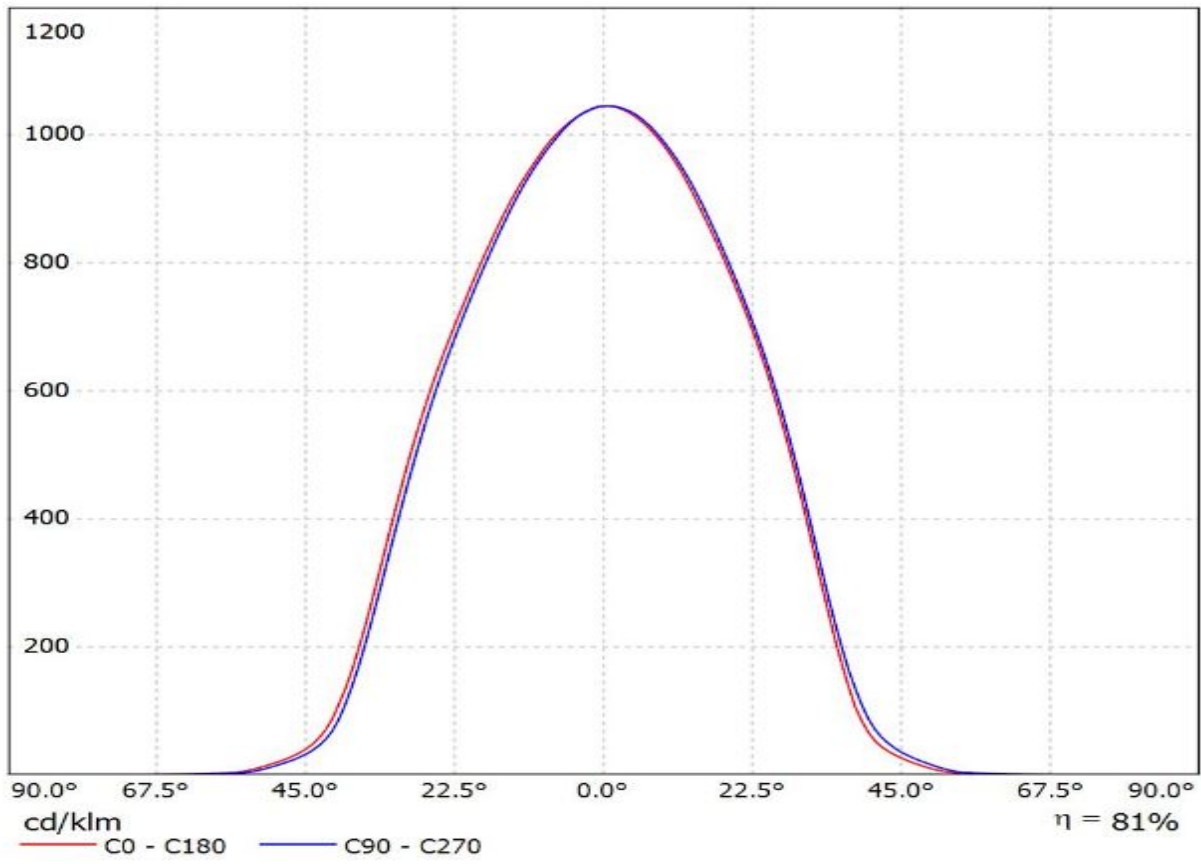


Luminaire: LEDiL Oy CP15313\_CARMEN-W-B\_(CXA1304) Cree\_CXA1304\_(CXA1304-30F-B2-COH-00001)\_268.207lm@250mA\_P=2.20459W\_I=0.250A

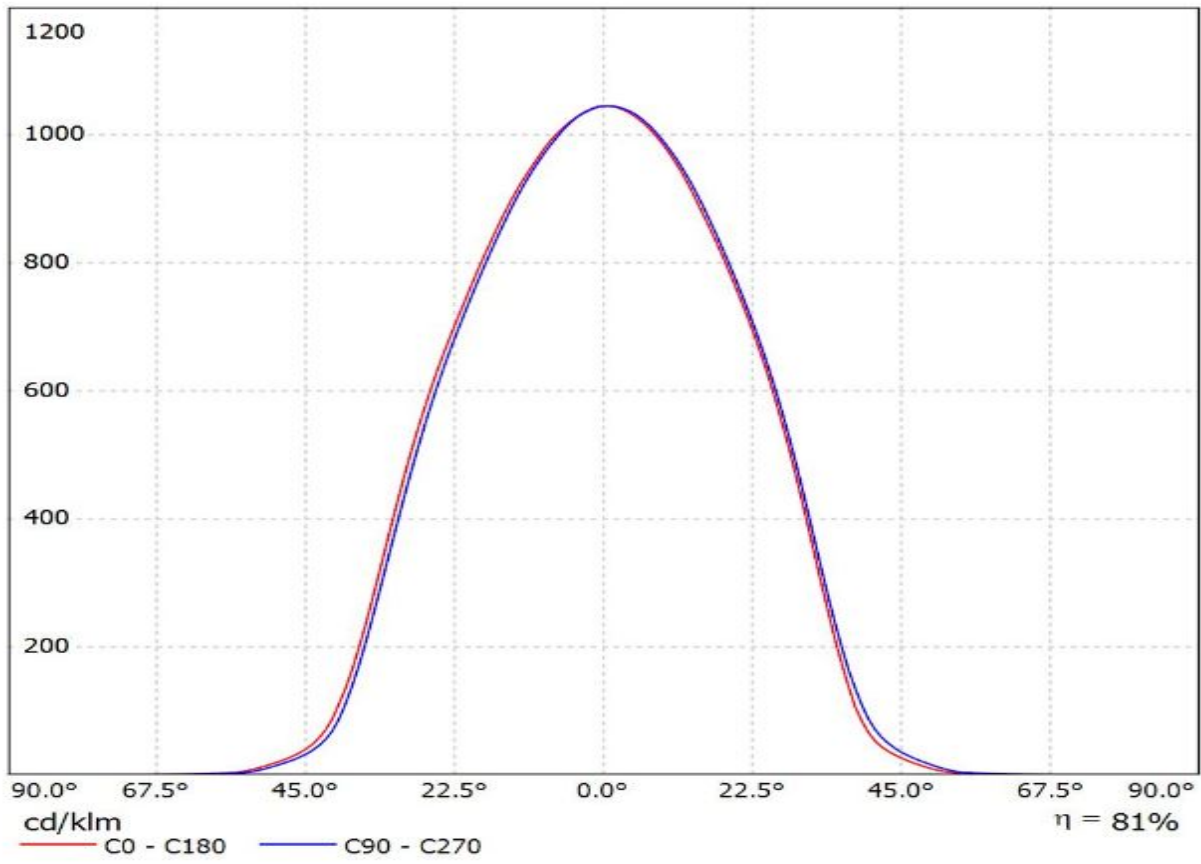
Lamps: 1 x Cree\_CXA1304\_(CXA1304-30F-B2-COH-00001)\_268.207lm@250mA\_P=2.20459W\_I=0.250A



Luminaire: LEDiL Oy CP15313\_CARMEN-W-B\_(Samsung\_COB\_D\_9.8mm  
Lamps: 1 x Samsung\_COB\_D\_series\_LES\_9.8mm\_LC013D\_CCT=4000K\_551.47lm@100mA\_P=3.2383W\_I=0.100A

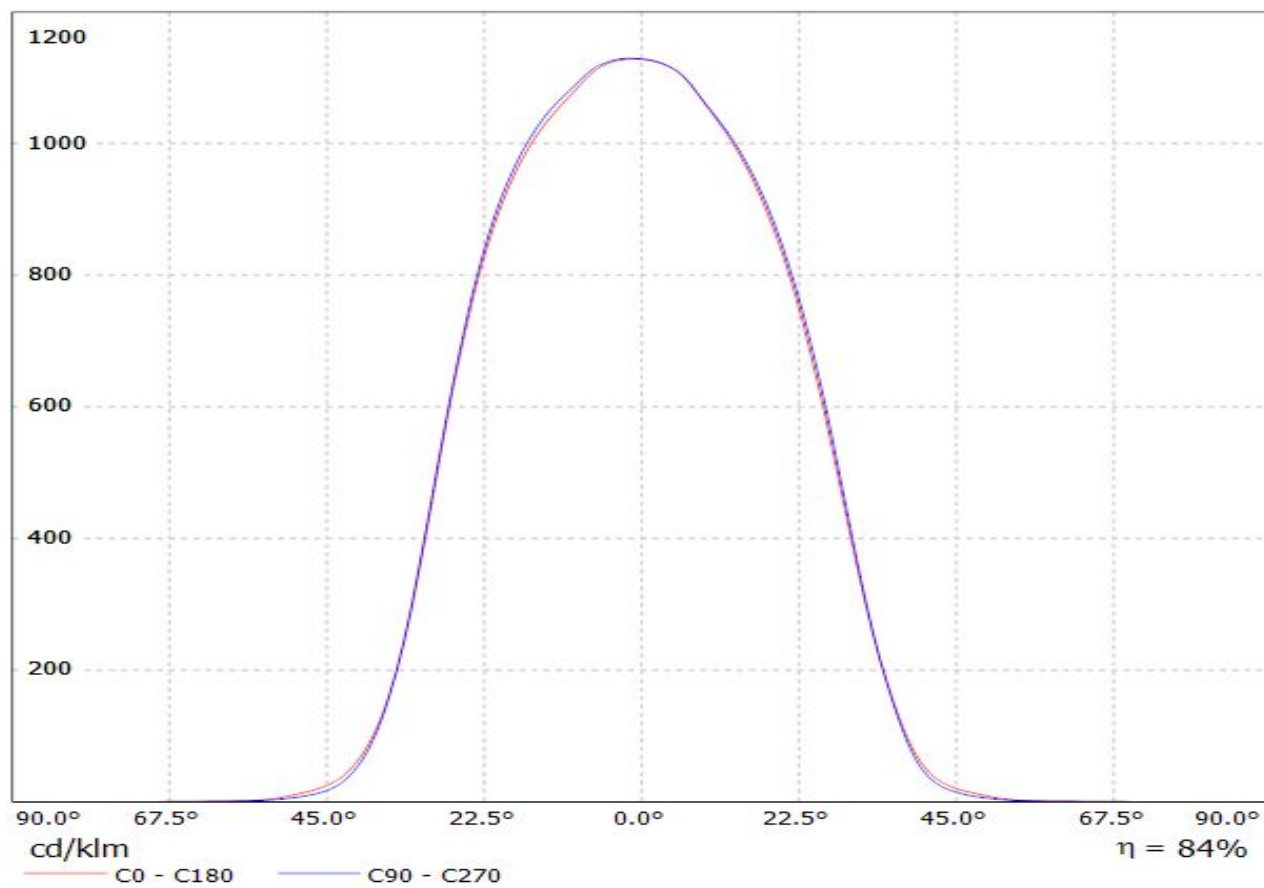


Luminaire: LEDiL Oy CP15313\_CARMEN-W-B\_(Samsung\_COB\_D\_9.8mm  
Lamps: 1 x Samsung\_COB\_D\_series\_LES\_9.8mm\_LC013D\_CCT=4000K\_551.47lm@100mA\_P=3.2383W\_I=0.100A



Luminaire: Ledil CP15313\_CARMEN-W-B\_(MJT\_6W\_Les6)

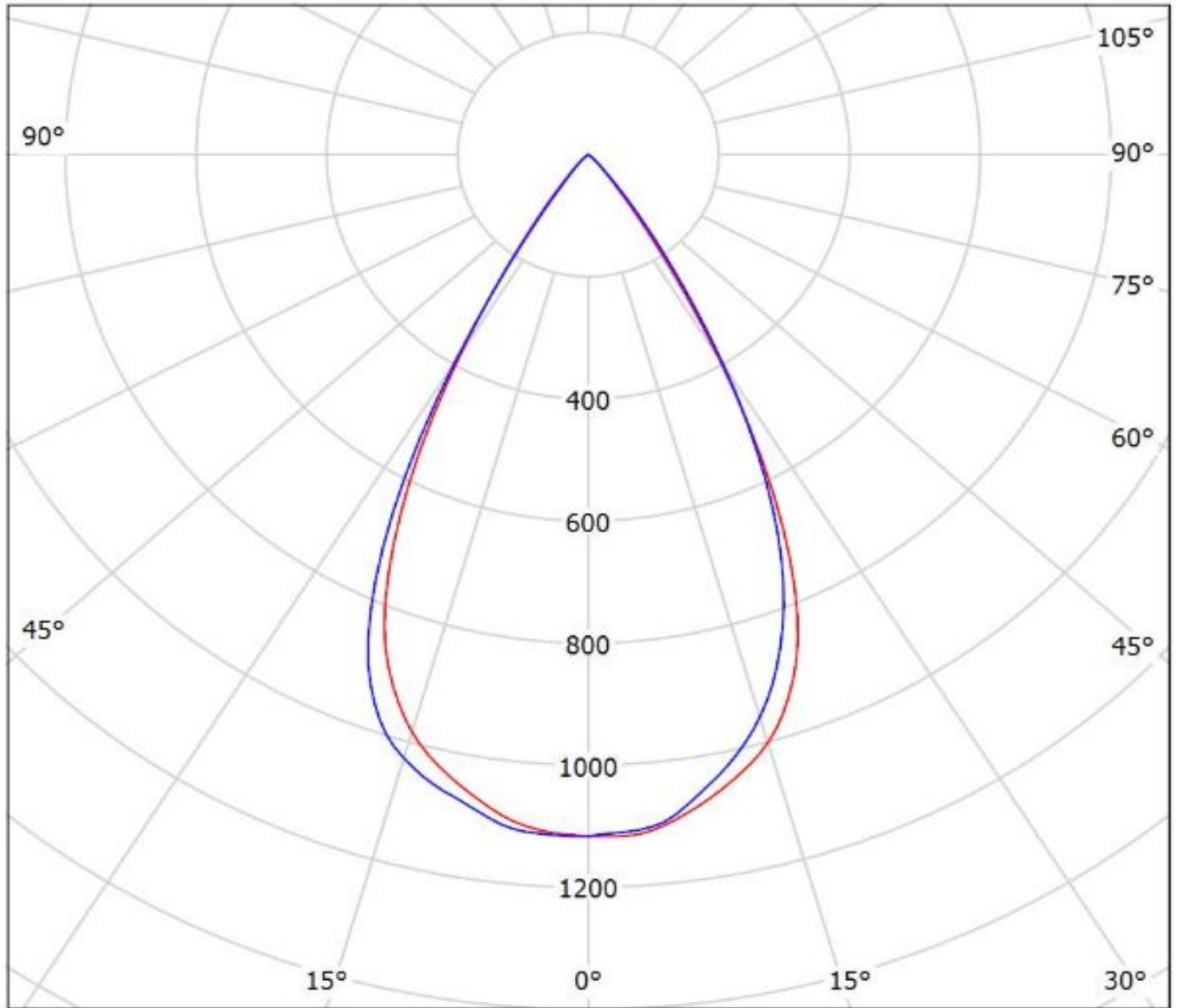
Lamps: 1 x Seoul\_MJT\_6W\_Les6mm\_(SAWx0661A)\_840.279lm@180mA\_P=6.52554W\_I=0.18A





Luminaire: LEDiL Oy CP15313\_CARMEN-W-B\_(CLU700)

Lamps: 1 x Citizen\_CLU700\_(CLU700-1002B8-503M2G1)\_344.228lm@100mA\_P=3.07229W\_I=0.1A

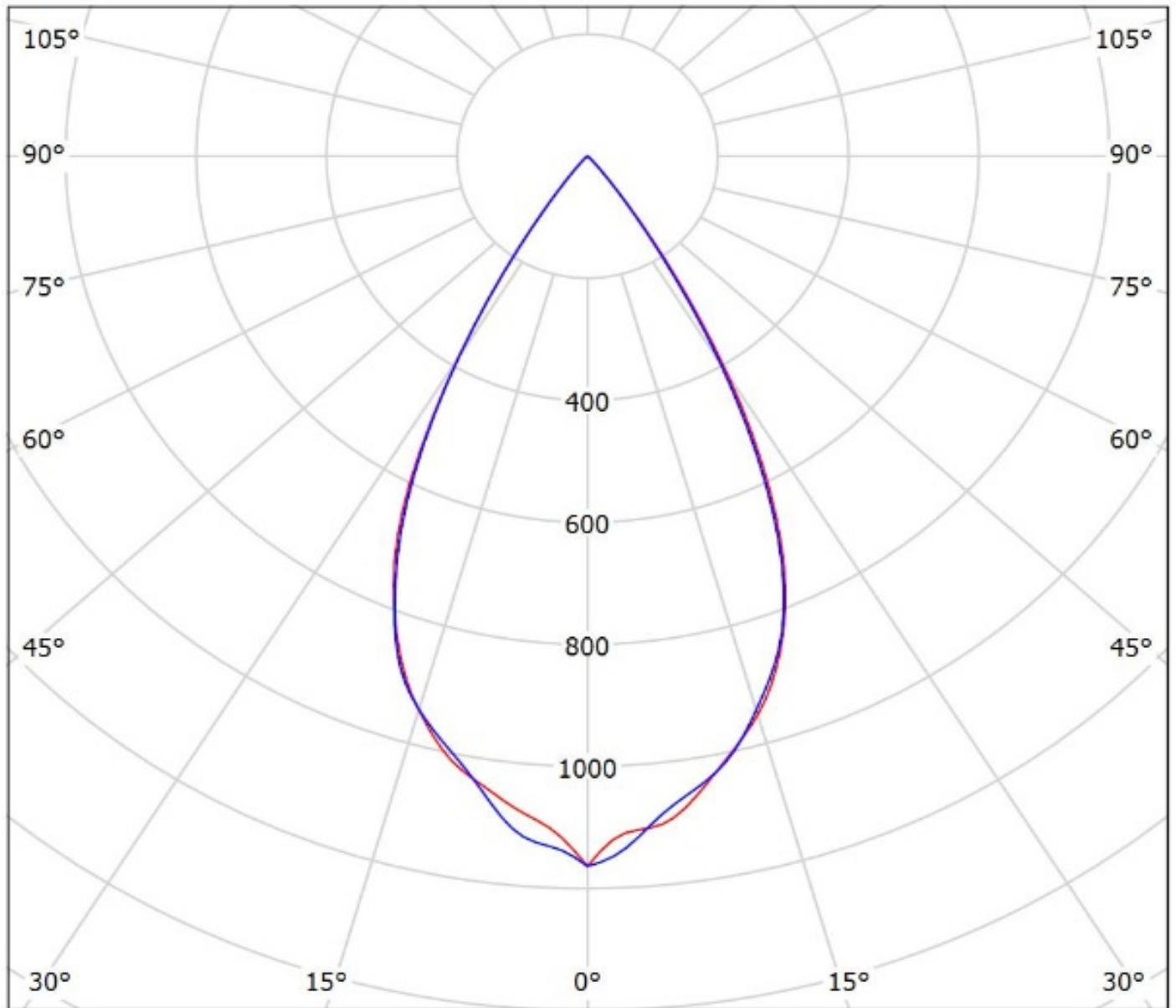


cd/klm

— C0 - C180 — C90 - C270

$\eta = 86\%$

Luminaire: Ledil Oy CP15313\_CARMEN-W-B\_(CLU028)\_(47\_319\_6060)\_SIMULATED  
Lamps: 1 x Citizen CLU028 + BJB 47.319.6060 connector

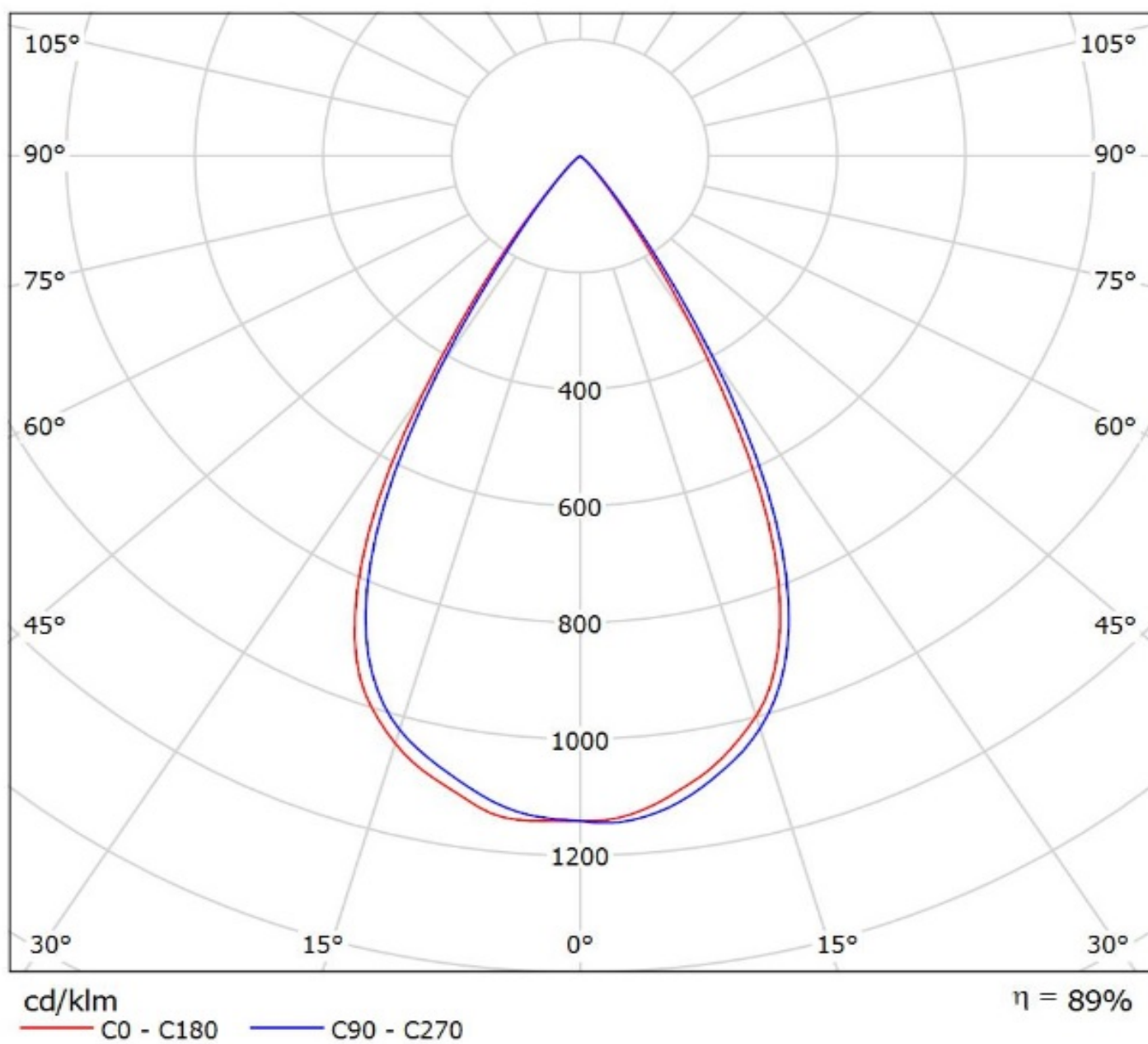


cd/klm

— C0 - C180 — C90 - C270

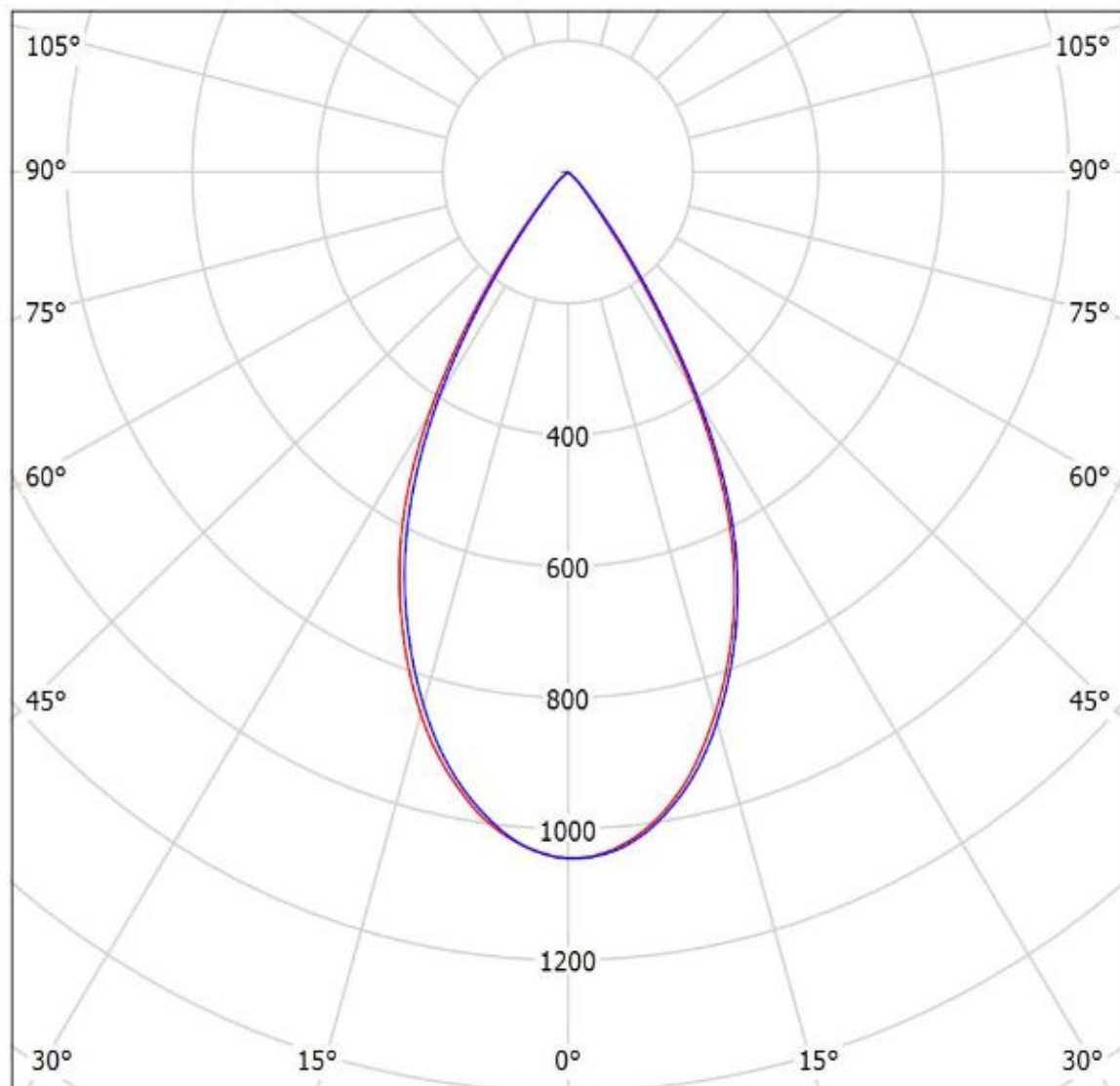
$\eta = 82\%$

Luminaire: LEDiL Oy CP15313\_CARMEN-W-B\_(CXA1304) Cree\_CXA1304\_(CXA1304-30F-B2-COH-00001)\_268.207lm@250mA\_P=2.20459W\_I=0.250A  
Lamps: 1 x Cree\_CXA1304\_(CXA1304-30F-B2-COH-00001)\_268.207lm@250mA\_P=2.20459W\_I=0.250A



Luminaire: LEDiL Oy CP15313\_CARMEN-W-B\_(Samsung\_COB\_D\_9.8mm

Lamps: 1 x Samsung\_COB\_D\_series\_LES\_9.8mm\_LC013D\_CCT=4000K\_551.47lm@100mA\_P=3.2383W\_I=0.100A



cd/klm

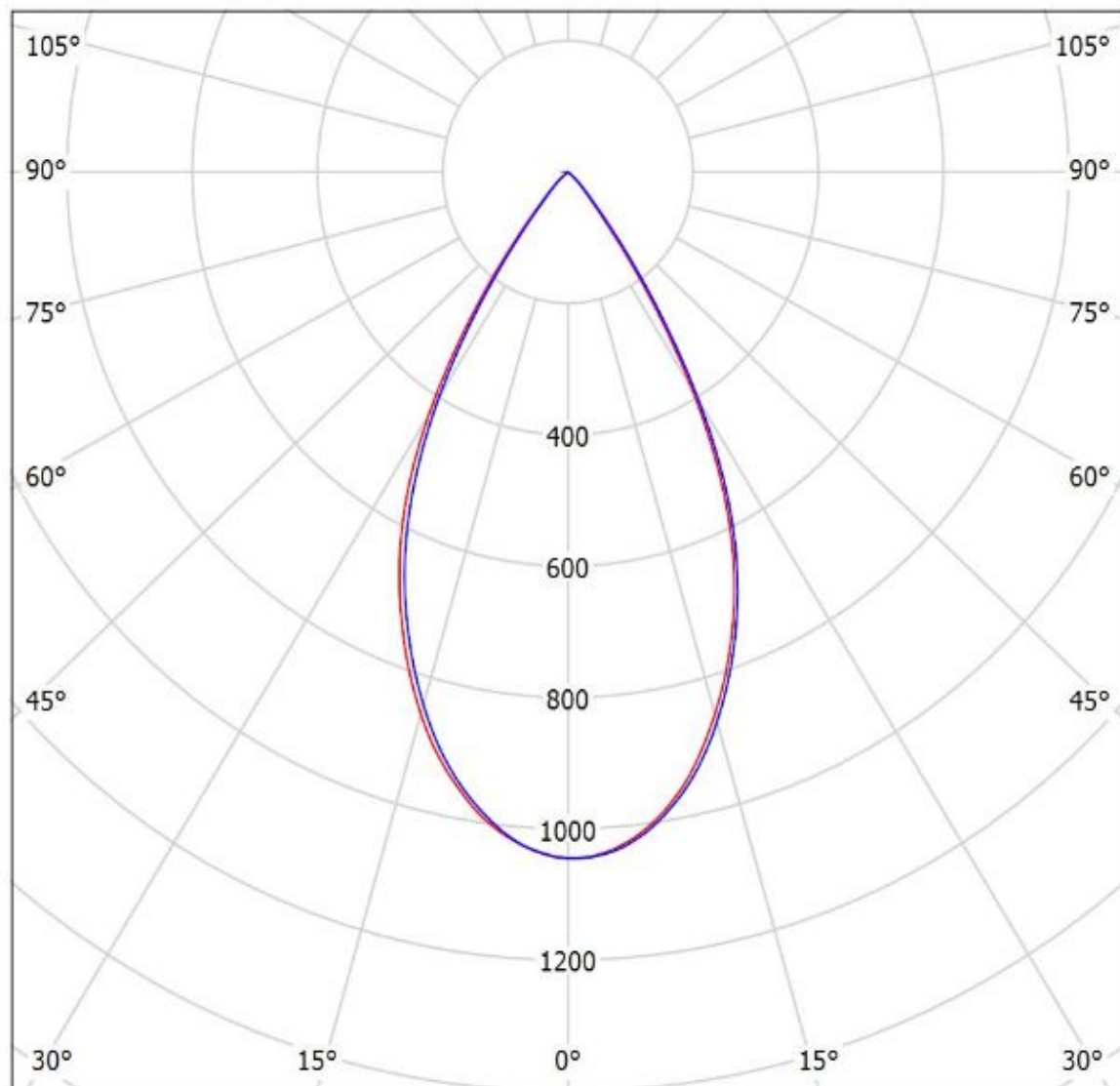
— C0 - C180

— C90 - C270

$\eta = 81\%$

Luminaire: LEDiL Oy CP15313\_CARMEN-W-B\_(Samsung\_COB\_D\_9.8mm

Lamps: 1 x Samsung\_COB\_D\_series\_LES\_9.8mm\_LC013D\_CCT=4000K\_551.47lm@100mA\_P=3.2383W\_I=0.100A



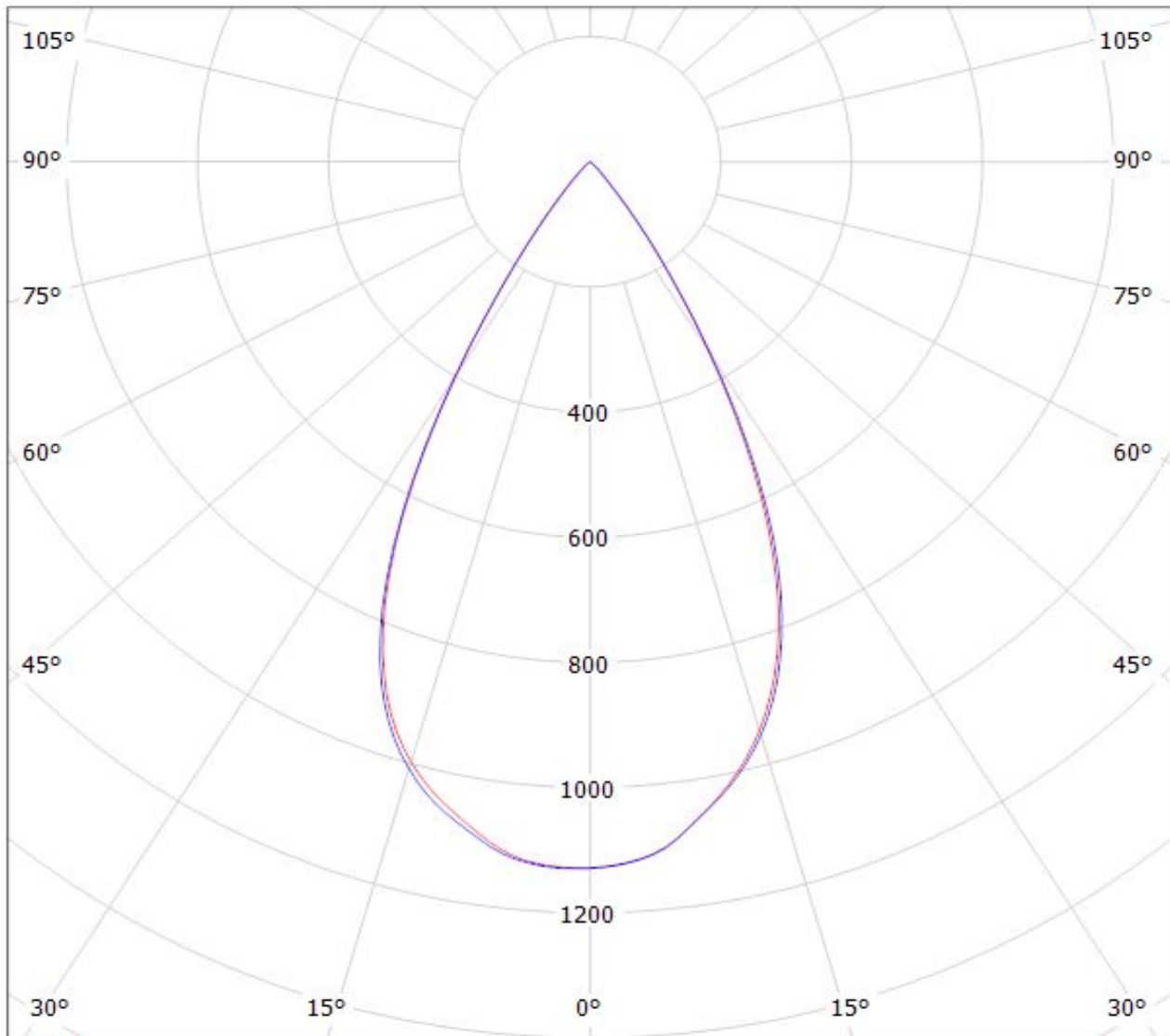
cd/klm

— C0 - C180 — C90 - C270

$\eta = 81\%$

Luminaire: Ledil CP15313\_CARMEN-W-B\_(MJT\_6W\_Les6)

Lamps: 1 x Seoul\_MJT\_6W\_Les6mm\_(SAWx0661A)\_840.279lm@180mA\_P=6.52554W\_I=0.18A



cd/klm

— C0 - C180

— C90 - C270

$\eta = 84\%$

**NOTE: The typical divergence will be changed by different color, chip size and chip position tolerance. The typical total divergence is the full angle measured where the luminous intensity is half of the peak value.**

### **GENERAL INFORMATION**

- Product series especially designed & optimized for series of LEDs.
- Special care taken to make light distribution as uniform as possible.

Note! Due to use of high power COB's with this product, special attention to proper thermal design is highly recommended. LEDiL has no liability for direct, indirect or consecutive damages arising from the LEDiL products being used outside of the recommended temperature range.