

THIS DRAWING IS UNPUBLISHED.

RELEASED FOR PUBLICATION

REVISIONS

© COPYRIGHT - By TE CONNECTIVITY

ALL RIGHTS RESERVED.

P	LTR	DESCRIPTION	DATE	DWN	APVD
G2		ADD NEW PART NUMBER	ECO-17-007074	17-MAY-17	HL.C XN.Z

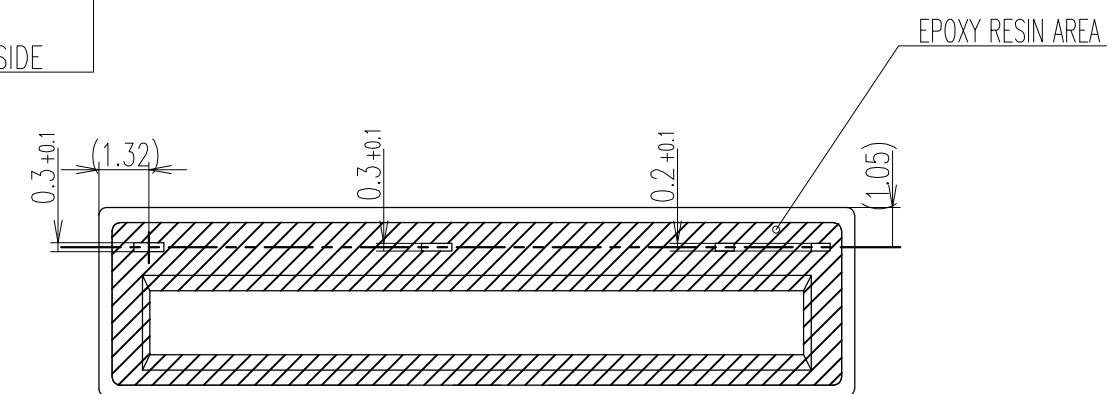
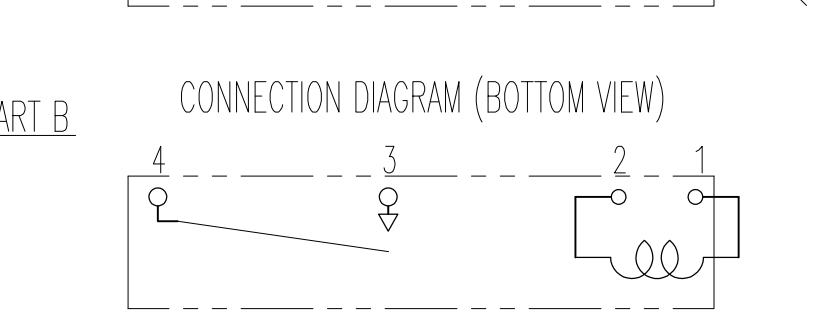
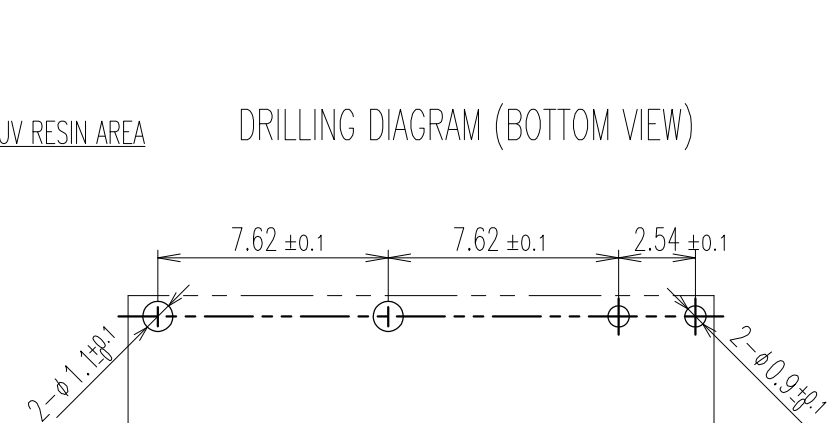
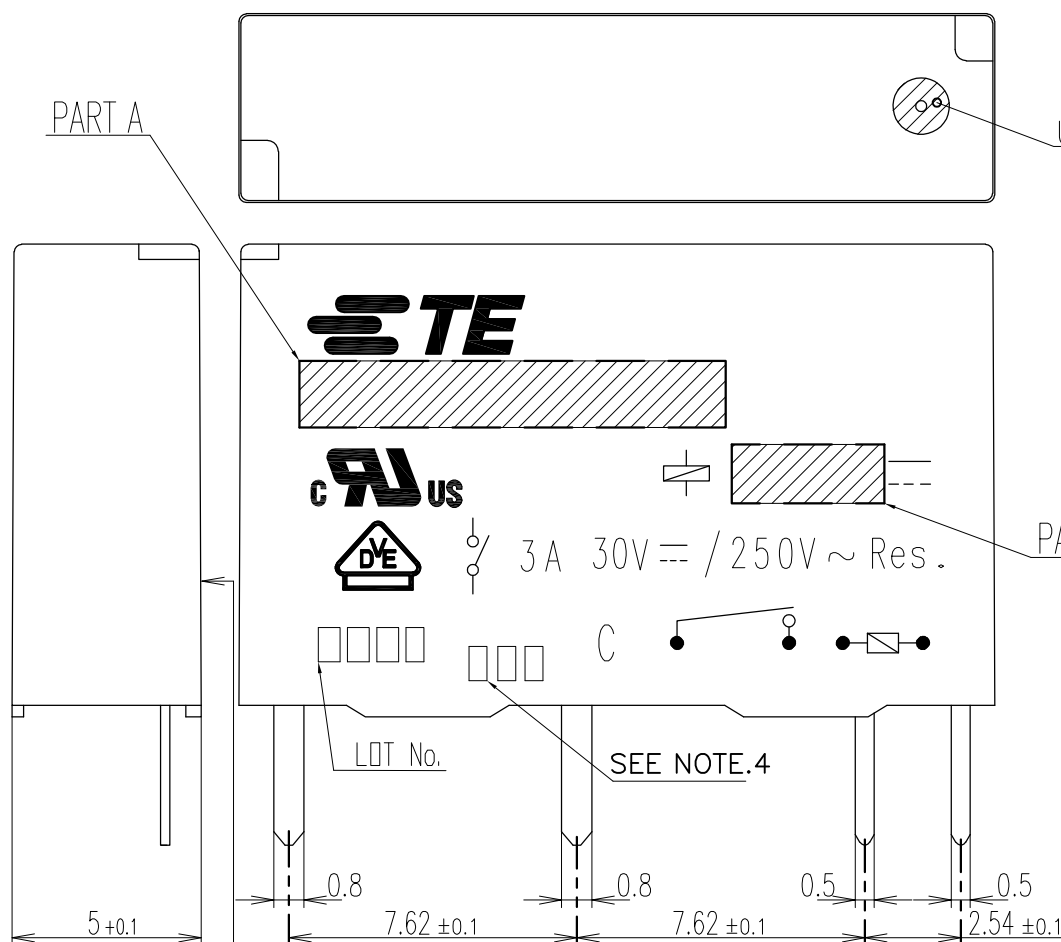
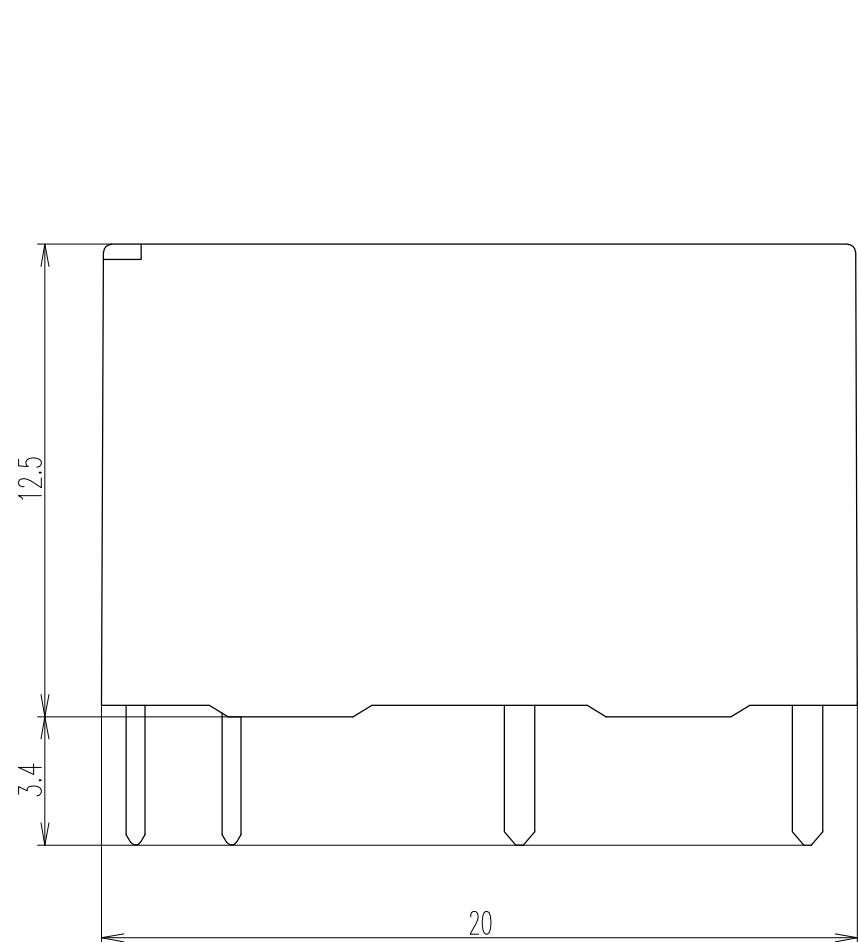


Diagram dimension	Tolerance
0.99mm max	±0.1mm
1 - 2.99mm	±0.2mm
3mm min	±0.3mm

1. TERMINAL DIMENSION IS AFTER SOLDER DIP  
 2. LOT NO. SYSTEM AS FOLLOWING;  
 0 2 0 1 I ...2 DIGITS FOR THE CHRISTIAN YEAR  
 I II 2007....07 2010....10  
 2008....08 2011....11  
 2009....09 20xx....xx  
 II ...2 DIGITS FOR WEEK MANUFACTURED AS  
 03.... 3 WEEKS IN 1 YEAR  
 04.... 4 WEEKS IN 1 YEAR  
 xx.... xx WEEKS IN 1 YEAR

3. MARKING FROM INK CHANGE TO LASER  
 4. ADD LOT NO. SYSTEM AS FOLLOWING;  
 I I A I, DIGITS FOR DAY OF THE WEEK  
 I...MONDAY IN THIS WEEK;  
 2...TUESDAY IN THIS WEEK;  
 .....  
 7...SUNDAY IN THIS WEEK  
 II, DIGITS FOR SHIFT OF THE DAY  
 1...DAY SHIFT IN THIS DAY;  
 2...NIGHT SHIFT IN THIS DAY;  
 III, ONE CHARACTER DISTINGUISH THE LINE  
 IDENTITY, SUCH AS: A,B,....Z

THIS DRAWING IS A CONTROLLED DOCUMENT.		DWN M.MOCHIZUKI	<b>STE</b> TE Connectivity	
DIMENSIONS: mm		CHK Y.OKAMOTO		
TOLERANCES UNLESS OTHERWISE SPECIFIED:		APVD A.NAGAI	NAME	
0 PLC ± -		PRODUCT SPEC	PCN-D3M** CUSTOMER DRAWING	
1 PLC ± -		APPLICATION SPEC	SIZE	RESTRICTED TO
2 PLC ± -		WEIGHT	CAGE CODE	DRAWING NO
3 PLC ± -		0	A3	00779
4 PLC ± -		CUSTOMER DRAWING	G	1461491
ANGLES ± -		SCALE	SHEET	REV
FINISH		5:1	1 OF 3	G2

THIS DRAWING IS UNPUBLISHED. RELEASED FOR PUBLICATION  
 © COPYRIGHT - By TE CONNECTIVITY ALL RIGHTS RESERVED.

REVISIONS					
P	LTR	DESCRIPTION	DATE	DWN	APVD
-	-	SEE SHEET 1	-	-	-


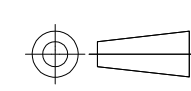
PART B	PART A	DESCRIPTION	TE PART NO	PACKING SPECIFICATION	PRODUCT SPEC	DISCRIPTION	No.
G2	12V	PCN-112D3MHZF	PCN-112D3MHZF,000	7-1461491-7	107-79039 (TUBE)	REINFORCED INSURATION WASHABLE TYPE	d
	12V	PCN-112D3MHZ	PCN-112D3MHZ,0100A	1-1721095-9	107-79039 (TUBE)		
	24V	PCN-124D3MHZ	PCN-124D3MHZ	3-1461491-6	107-79039 (TUBE)		
	23.5V	PCN-123D3MHZ	PCN-123D3MHZ	3-1461491-5	107-79039 (TUBE)		
	18V	PCN-118D3MHZ	PCN-118D3MHZ	3-1461491-4	107-79039 (TUBE)		
	12V	PCN-112D3MHZ	PCN-112D3MHZ	3-1461491-3	107-79039 (TUBE)		
	9V	PCN-109D3MHZ	PCN-109D3MHZ	3-1461491-2	107-79039 (TUBE)		
	6V	PCN-106D3MHZ	PCN-106D3MHZ	3-1461491-1	107-79039 (TUBE)		
	5V	PCN-105D3MHZ	PCN-105D3MHZ	3-1461491-0	107-79039 (TUBE)		
	4.5V	PCN-104D3MHZ	PCN-104D3MHZ	2-1461491-9	107-79039 (TUBE)		
	3V	PCN-103D3MHZ	PCN-103D3MHZ	2-1461491-8	107-79039 (TUBE)		
	24V	PCN-124D3MZ	PCN-124D3MZ	2-1461491-7	107-79039 (TUBE)	REINFORCED INSURATION PLASTIC SEALED TYPE	c
	23.5V	PCN-123D3MZ	PCN-123D3MZ	2-1461491-6	107-79039 (TUBE)		
	18V	PCN-118D3MZ	PCN-118D3MZ	2-1461491-5	107-79039 (TUBE)		
	12V	PCN-112D3MZ	PCN-112D3MZ	2-1461491-4	107-79039 (TUBE)		
	9V	PCN-109D3MZ	PCN-109D3MZ	2-1461491-3	107-79039 (TUBE)		
	6V	PCN-106D3MZ	PCN-106D3MZ	2-1461491-2	107-79039 (TUBE)		
	5V	PCN-105D3MZ	PCN-105D3MZ	2-1461491-1	107-79039 (TUBE)		
	4.5V	PCN-104D3MZ	PCN-104D3MZ	2-1461491-0	107-79039 (TUBE)		
	3V	PCN-103D3MZ	PCN-103D3MZ	1-1461491-9	107-79039 (TUBE)		
	3V	PCN-103D3MZ	PCN-103D3MZ	1-1461491-9	107-79039 (TUBE)		

PART B	PART A	DESCRIPTION	TE PART NO	PACKING SPECIFICATION	PRODUCT SPEC	DISCRIPTION	No.
	24V	PCN-124D3MH	PCN-124D3MH	1-1461491-8	107-79039 (TUBE)	STANDARD INSURATION WASHABLE TYPE	b
	23.5V	PCN-123D3MH	PCN-123D3MH	1-1461491-7	107-79039 (TUBE)		
	18V	PCN-118D3MH	PCN-118D3MH	1-1461491-6	107-79039 (TUBE)		
	12V	PCN-112D3MH	PCN-112D3MH	1-1461491-5	107-79039 (TUBE)		
	9V	PCN-109D3MH	PCN-109D3MH	1-1461491-4	107-79039 (TUBE)		
	6V	PCN-106D3MH	PCN-106D3MH	1-1461491-3	107-79039 (TUBE)		
	5V	PCN-105D3MH	PCN-105D3MH	1-1461491-2	107-79039 (TUBE)		
	4.5V	PCN-104D3MH	PCN-104D3MH	1-1461491-1	107-79039 (TUBE)		
	3V	PCN-103D3MH	PCN-103D3MH	1-1461491-0	107-79039 (TUBE)		
	24V	PCN-124D3M	PCN-124D3M	1461491-9	107-79039 (TUBE)		
	23.5V	PCN-123D3M	PCN-123D3M	1461491-8	107-79039 (TUBE)		
	18V	PCN-118D3M	PCN-118D3M	1461491-7	107-79039 (TUBE)		
	12V	PCN-112D3M	PCN-112D3M	1461491-6	107-79039 (TUBE)		
	9V	PCN-109D3M	PCN-109D3M	1461491-5	107-79039 (TUBE)		
	6V	PCN-106D3M	PCN-106D3M	1461491-4	107-79039 (TUBE)		
	5V	PCN-105D3M	PCN-105D3M	1461491-3	107-79039 (TUBE)		
	4.5V	PCN-104D3M	PCN-104D3M	1461491-2	107-79039 (TUBE)		
	3V	PCN-103D3M	PCN-103D3M	1461491-1	107-79039 (TUBE)		
	3V	PCN-103D3M	PCN-103D3M	1461491-1	107-79039 (TUBE)		

15	UV RESIN
14	CASE (NATURAL)
	CASE (BLACK)
13	EPOXY
12	MAGNETIC WIRE
11	CARD (NATURAL)
	CARD (BLACK)
10	ARMATURE
9	STATIONARY CONTACT
8	STATIONARY TERMINAL
7	MOVABLE CONTACT
6	MOVABLE TERMINAL
5	BASE (NATURAL)
	BASE (BLACK)
4	CORE
3	COIL TERMINAL B
2	COIL TERMINAL A
1	BOBBIN (BLACK ONLY)
TEM	DESCRIPTION

MOLD COLOR  
 NATURAL: REINFORCED INSURATION MODEL  
 強化絶縁品 (IEC1131-2 Conformed)  
 BLACK: BASIC INSURATION MODEL  
 基礎絶縁品 (IEC1131-2 Conformed)

PARTS LIST

THIS DRAWING IS A CONTROLLED DOCUMENT.		DWN M.MOCHIZUKI		 TE Connectivity	
DIMENSIONS: mm		CHK Y.OKAMOTO			
		APVD A.NAGAI		NAME	
TOLERANCES UNLESS OTHERWISE SPECIFIED:		PRODUCT SPEC		PCN-D3M** CUSTOMER DRAWING	
0 PLC ± -		APPLICATION SPEC		SIZE CAGE CODE DRAWING NO RESTRICTED TO	
1 PLC ± -		-		A3 00779 C-1461491	
2 PLC ± -		-		SCALE 5:1 SHEET 2 OF 3 REV G2	
3 PLC ± -		-			
4 PLC ± -		-			
ANGLES ± -		WEIGHT -			
FINISH -		CUSTOMER DRAWING			

THIS DRAWING IS UNPUBLISHED. RELEASED FOR PUBLICATION  
 © COPYRIGHT - By TE CONNECTIVITY ALL RIGHTS RESERVED.


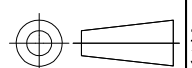
REVISIONS				
P	LTR	DESCRIPTION	DATE	APVD
-	-	SEE SHEET 1	-	-

PART B	PART A	DESCRIPTION	TE PART NO	PACKING SPECIFICATION	PRODUCT SPEC	DISCRIPTION	No.
24V	PCN-124D3MHZ	PCN-124D3MHZ	7-1461491-4	107-79043 (TRAY)	108-79629	REINFORCED INSURATION WASHABLE TYPE	D
23.5V	PCN-123D3MHZ	PCN-123D3MHZ	7-1461491-3	107-79043 (TRAY)	108-79628		
18V	PCN-118D3MHZ	PCN-118D3MHZ	7-1461491-2	107-79043 (TRAY)	108-79627		
12V	PCN-112D3MHZ	PCN-112D3MHZ	7-1461491-1	107-79043 (TRAY)	108-79626		
9V	PCN-109D3MHZ	PCN-109D3MHZ	7-1461491-0	107-79043 (TRAY)	108-79625		
6V	PCN-106D3MHZ	PCN-106D3MHZ	6-1461491-9	107-79043 (TRAY)	108-79624		
5V	PCN-105D3MHZ	PCN-105D3MHZ	6-1461491-8	107-79043 (TRAY)	108-79623		
4.5V	PCN-104D3MHZ	PCN-104D3MHZ	6-1461491-7	107-79043 (TRAY)	108-79622		
3V	PCN-103D3MHZ	PCN-103D3MHZ	6-1461491-6	107-79043 (TRAY)	108-79621		
24V	PCN-124D3MZ	PCN-124D3MZ	6-1461491-5	107-79043 (TRAY)	108-79620		
23.5V	PCN-123D3MZ	PCN-123D3MZ	6-1461491-4	107-79043 (TRAY)	108-79619		
18V	PCN-118D3MZ	PCN-118D3MZ	6-1461491-3	107-79043 (TRAY)	108-79618		
12V	PCN-112D3MZ	PCN-112D3MZ	6-1461491-2	107-79043 (TRAY)	108-79617		
9V	PCN-109D3MZ	PCN-109D3MZ	6-1461491-1	107-79043 (TRAY)	108-79616		
6V	PCN-106D3MZ	PCN-106D3MZ	6-1461491-0	107-79043 (TRAY)	108-79615		
5V	PCN-105D3MZ	PCN-105D3MZ	5-1461491-9	107-79043 (TRAY)	108-79614		
4.5V	PCN-104D3MZ	PCN-104D3MZ	5-1461491-8	107-79043 (TRAY)	108-79613		
3V	PCN-103D3MZ	PCN-103D3MZ	5-1461491-7	107-79043 (TRAY)	108-79612		

PART B	PART A	DESCRIPTION	TE PART NO	PACKING SPECIFICATION	PRODUCT SPEC	DISCRIPTION	No.
24V	PCN-124D3MH	PCN-124D3MH	5-1461491-6	107-79043 (TRAY)	108-79611	STANDARD INSURATION WASHABLE TYPE	B
23.5V	PCN-123D3MH	PCN-123D3MH	5-1461491-5	107-79043 (TRAY)	108-79610		
18V	PCN-118D3MH	PCN-118D3MH	5-1461491-4	107-79043 (TRAY)	108-79609		
12V	PCN-112D3MH	PCN-112D3MH	5-1461491-3	107-79043 (TRAY)	108-79608		
9V	PCN-109D3MH	PCN-109D3MH	5-1461491-2	107-79043 (TRAY)	108-79607		
6V	PCN-106D3MH	PCN-106D3MH	5-1461491-1	107-79043 (TRAY)	108-79606		
5V	PCN-105D3MH	PCN-105D3MH	5-1461491-0	107-79043 (TRAY)	108-79605		
4.5V	PCN-104D3MH	PCN-104D3MH	4-1461491-9	107-79043 (TRAY)	108-79604		
3V	PCN-103D3MH	PCN-103D3MH	4-1461491-8	107-79043 (TRAY)	108-79603		
24V	PCN-124D3M	PCN-124D3M	4-1461491-7	107-79043 (TRAY)	108-79602		
23.5V	PCN-123D3M	PCN-123D3M	4-1461491-6	107-79043 (TRAY)	108-79601		
18V	PCN-118D3M	PCN-118D3M	4-1461491-5	107-79043 (TRAY)	108-79600		
12V	PCN-112D3M	PCN-112D3M	4-1461491-4	107-79043 (TRAY)	108-79599		
9V	PCN-109D3M	PCN-109D3M	4-1461491-3	107-79043 (TRAY)	108-79598		
6V	PCN-106D3M	PCN-106D3M	4-1461491-2	107-79043 (TRAY)	108-79597		
5V	PCN-105D3M	PCN-105D3M	4-1461491-1	107-79043 (TRAY)	108-79596		
4.5V	PCN-104D3M	PCN-104D3M	4-1461491-0	107-79043 (TRAY)	108-79595		
3V	PCN-103D3M	PCN-103D3M	3-1461491-9	107-79043 (TRAY)	108-79594		

15	UV RESIN
14	CASE (NATURAL)
	CASE (BLACK)
13	EPOXY
12	MAGNETIC WIRE
11	CARD (NATURAL)
	CARD (BLACK)
10	ARMATURE
9	STATIONARY CONTACT
8	STATIONARY TERMINAL
7	MOVABLE CONTACT
6	MOVABLE TERMINAL
5	BASE (NATURAL)
	BASE (BLACK)
4	CORE
3	COIL TERMINAL B
2	COIL TERMINAL A
1	BOBBIN (BLACK ONLY)
TEM	DESCRIPTION

MOLD COLOR  
 NATURAL: REINFORCED INSURATION MODEL  
 強化絶縁品 (IEC1131-2 Conformed)  
 BLACK: BASIC INSURATION MODEL  
 基礎絶縁品 (IEC1131-2 Conformed)

THIS DRAWING IS A CONTROLLED DOCUMENT.		DWN M.MOCHIZUKI		 TE Connectivity	
DIMENSIONS: mm		CHK Y.OKAMOTO			
		APVD A.NAGAI		NAME	
TOLERANCES UNLESS OTHERWISE SPECIFIED:		PRODUCT SPEC		PCN-D3M** CUSTOMER DRAWING	
0 PLC ± -		APPLICATION SPEC		SIZE CAGE CODE DRAWING NO RESTRICTED TO	
1 PLC ± -		-		A3 00779 C-1461491	
2 PLC ± -		-		SCALE 5:1 SHEET 3 OF 3 REV G2	
3 PLC ± -		WEIGHT -			
4 PLC ± -		CUSTOMER DRAWING			
ANGLES ± -					
FINISH -					

PARTS LIST