

Customer Information Sheet

DRAWING No.: S1001-46R

SHEET 2 OF 2

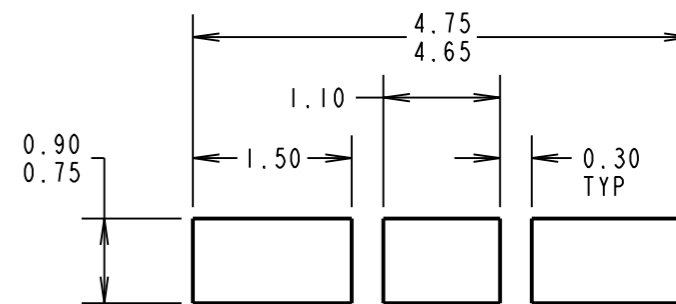
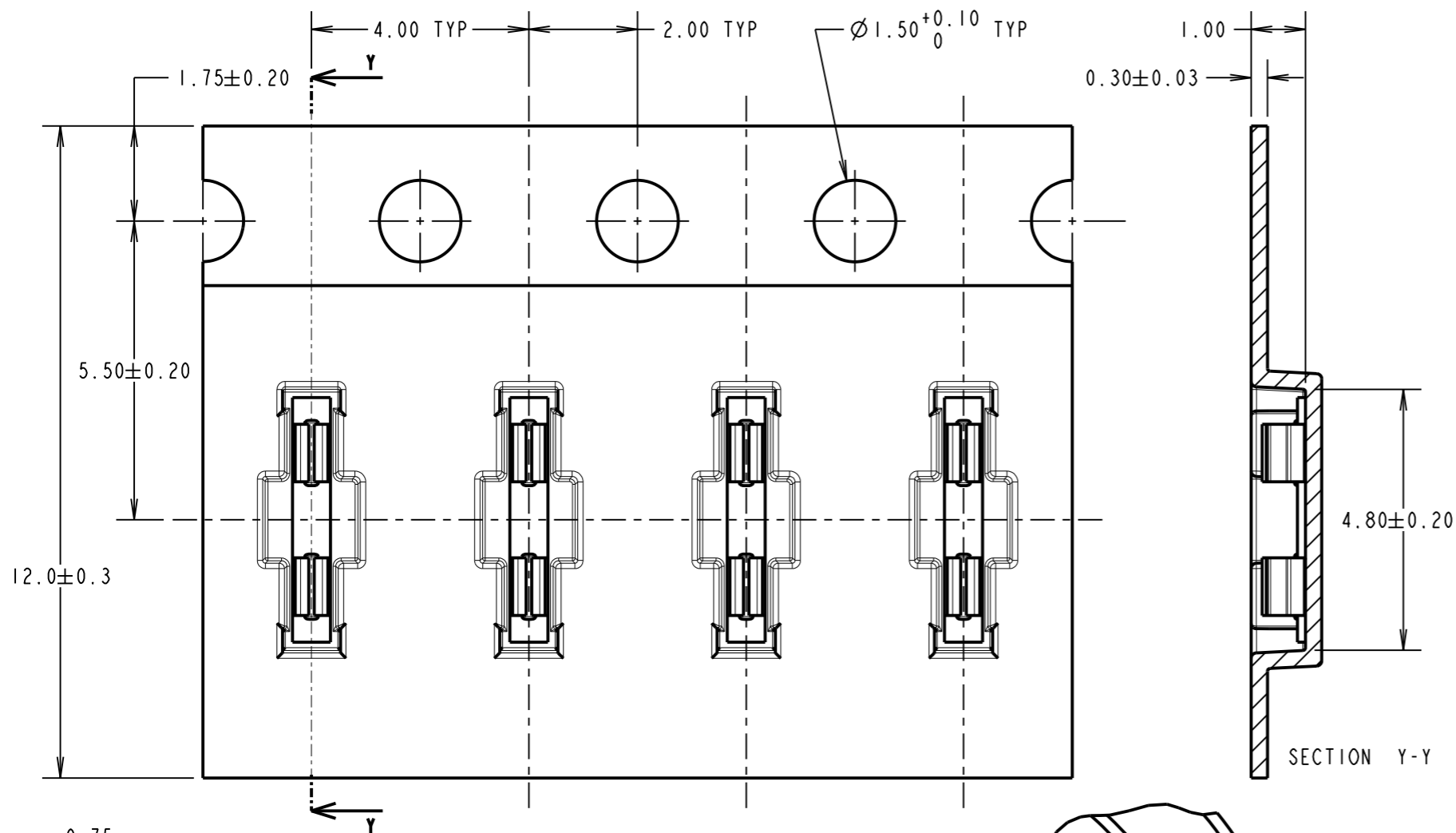
IF IN DOUBT - ASK

©

NOT TO SCALE

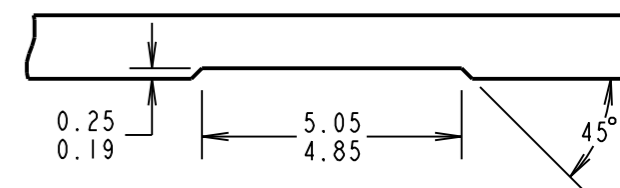
THIRD ANGLE PROJECTION

ALL DIMENSIONS IN mm



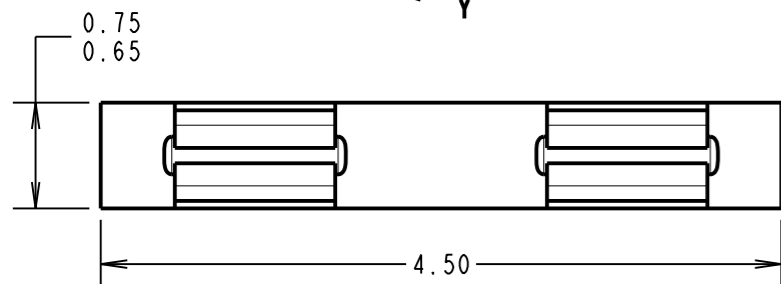
RECOMMENDED PAD LAYOUT

RECOMMENDED SHIELD CAN CUT OUT

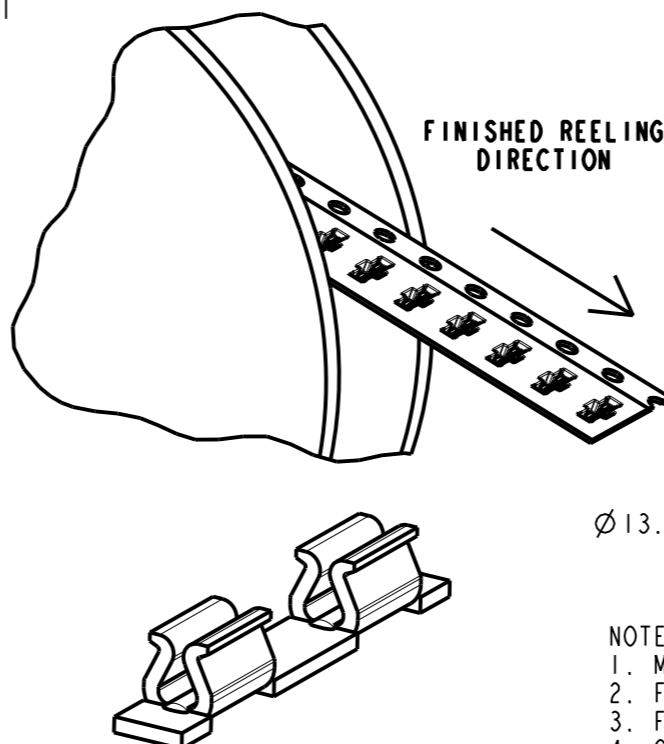
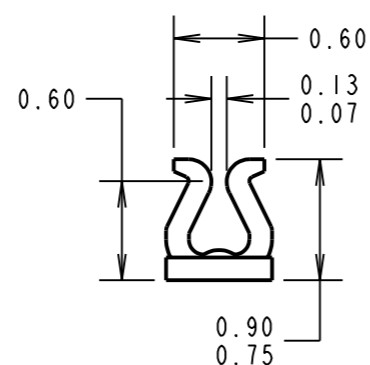
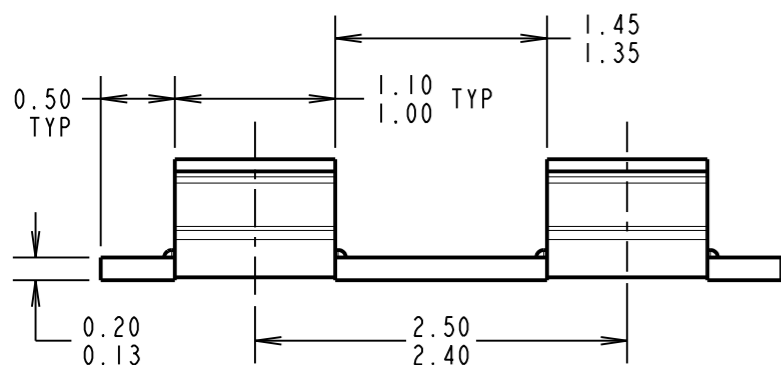


SPECIFICATION:

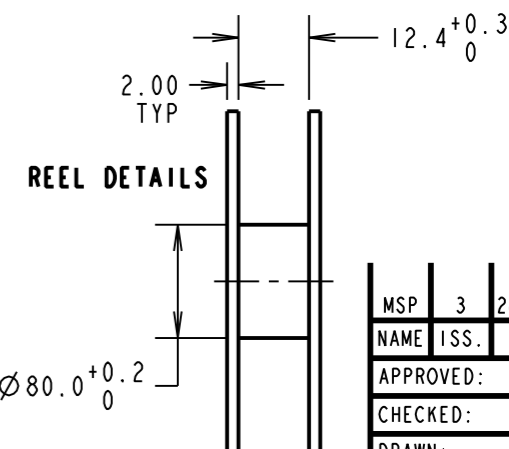
- MATERIAL:
- CONTACT = STAINLESS STEEL
- ELECTRICAL:
- RESISTANCE = 100mΩ MAX
- MECHANICAL:
- INSERTION FORCE = 19.7N MAX
- WITHDRAWAL FORCE = 0.98N MIN
- DURABILITY = 10 CYCLES
- ENVIRONMENTAL:
- OPERATING TEMPERATURE = -25°C TO +150°C
- STORAGE TEMPERATURE = -40°C TO 85°C
- PACKAGING:
- TAPE AND REEL PACKED IN BOX



COMPONENT DETAILS



FINISHED REELING DIRECTION



REEL DETAILS

NOTES:

1. MAXIMUM PERMISSIBLE BURR IS 0.03mm MAX.
2. FINISH = 2.0µm - 3.0µm TIN OVER 0.4µm - 1.2µm NICKEL.
3. FOR USE WITH 0.15 - 0.20mm THICK SHIELD CANS.
4. QUANTITY PER REEL = 20,000. 11 REELS PACKED IN BOX.

MSP	3	28.09.16	13439
NAME	ISS.	DATE	C/NOTE
APPROVED:		M.PERREN	
CHECKED:		S.BENNETT	
DRAWN:		S.BENNETT	
CUSTOMER REF.:			
ASSEMBLY DRG.:			

HARWIN

www.harwin.com
technical@harwin.com

THIS DRAWING AND ANY INFORMATION OR DESCRIPTIVE MATTER SET OUT HEREON ARE CONFIDENTIAL AND COPYRIGHT PROPERTY OF THE HARWIN GROUP AND MUST NOT BE DISCLOSED, LOANED, COPIED OR USED FOR MANUFACTURING, TENDERING OR FOR ANY OTHER PURPOSE WITHOUT THEIR WRITTEN PERMISSION.

TOLERANCES
X. = ±1mm
X.X = ±0.25mm
X.XX = ±0.10mm
X.XXX = ±0.01mm
ANGLES = ±5°
UNLESS STATED

MATERIAL:
SEE ABOVE
FINISH:
SEE ABOVE
S/AREA:
mm²

TITLE:
SURFACE MOUNT RFI SHIELD CLIP IN TAPE AND REEL

DRAWING NUMBER:
S1001-46R

SHT
2
OF
2