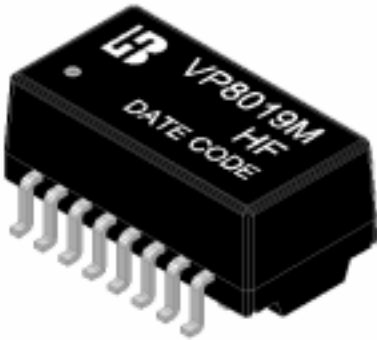


10/100 BASE-TX VOICE OVER IP MAGNETICS MODULE

P/N: VP8019M HF DATA SHEET

Feature

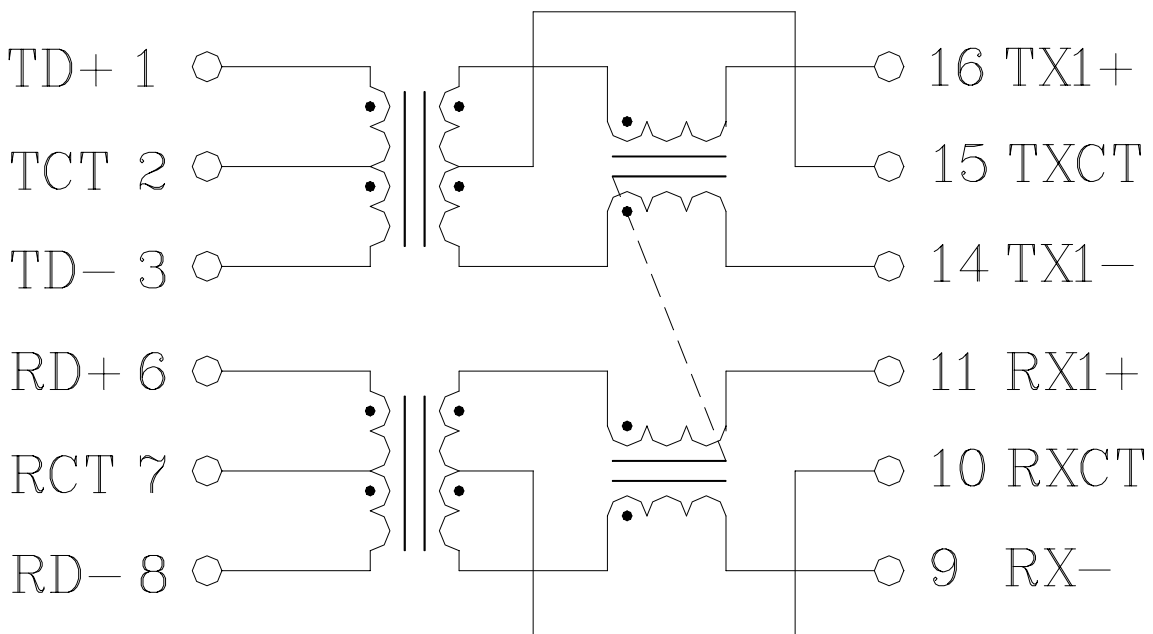


- IEEE 802.3af/ANSI X3.263 compliant performance.
- 350mA current capability.
- Designed to for IP phone or switch applications.
- Compact footprint.
- Comply with RoHS & Halogen Free requirements.
- Operating temperature range: -40°C to +85 .
- Storage temperature range: -40 to +85 .

Electrical Specifications @ 25°C						
Part Number	Turns Ratio (±5%) TX/RX	OCL (uH Min) @100KHz/0.1V with 8mA DC Bias	Cross talk (dB Min)			HI-POT (Vrms)
			30MHz	60MHz	100 MHz	
VP8019M HF	1CT:1CT	350	-45	-40	-35	1500

Continue					
Part Number	Insertion Loss (dB Max)	Return Loss (dB Min)@ Load 100Ω			
		1-100MHz	1-30MHz	40MHz	50MHz
VP8019M HF	-1.4	-18	-14	-13	-12

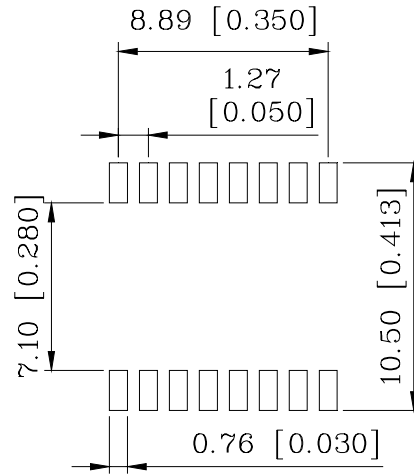
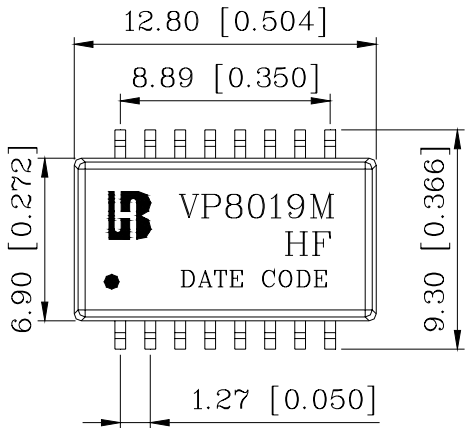
Schematic



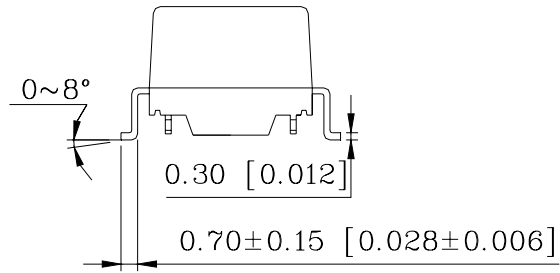
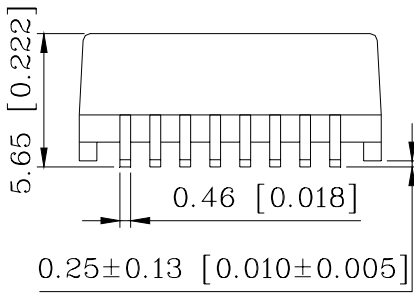
10/100 BASE-TX VOICE OVER IP MAGNETICS MODULE

P/N: VP8019M HF DATA SHEET

Mechanical



SUGGESTED PAD LAYOUT



Units: mm [Inches] Tolerances: xx.x0±0.25 [0.010]
0.xx±0.05 [0.002]