



Integrated Power Hybrid IC for  
Appliance Motor Drive Applications

# IRAMX20UP60A

## iMOTION™ Series

### 20A, 600V

### with open Emitter Pins

### Description

International Rectifier's IRAMX20UP60A is a 20A, 600V Integrated Power Hybrid IC for Appliance Motor Drives applications such as air conditioning systems and compressor drivers as well as in light industrial application. IR's technology offers an extremely compact, high performance AC motor-driver in a single isolated package to simplify design.

This advanced HIC is a combination of IR's low  $V_{CE(on)}$  Punch-Through IGBT technology and the industry benchmark 3 phase high voltage, high speed driver in a fully isolated thermally enhanced package.

A built-in temperature monitor and input logic protection function, along with the short-circuit rated IGBTs and integrated under-voltage lockout function, deliver high level of protection and fail-safe operation. Using a Single in line package (SiP2) with heatspreader for the power die along with full transfer mold structure minimizes PCB space and resolves isolation problems to heatsink.

### Features

- Integrated Gate Drivers
- Temperature Monitor
- Overcurrent shutdown
- Fully Isolated Package
- Low VCE (on) Non Punch Through IGBT Technology.
- Undervoltage lockout for all channels
- Matched propagation delay for all channels
- 5V Schmitt-triggered input logic
- Cross-conduction prevention logic
- Lower di/dt gate driver for better noise immunity
- Motor Power range 1~2kW / 85~253 Vac
- Isolation 2000V<sub>RMS</sub> min
- Recognized by UL (File Number: E252584)



### Absolute Maximum Ratings

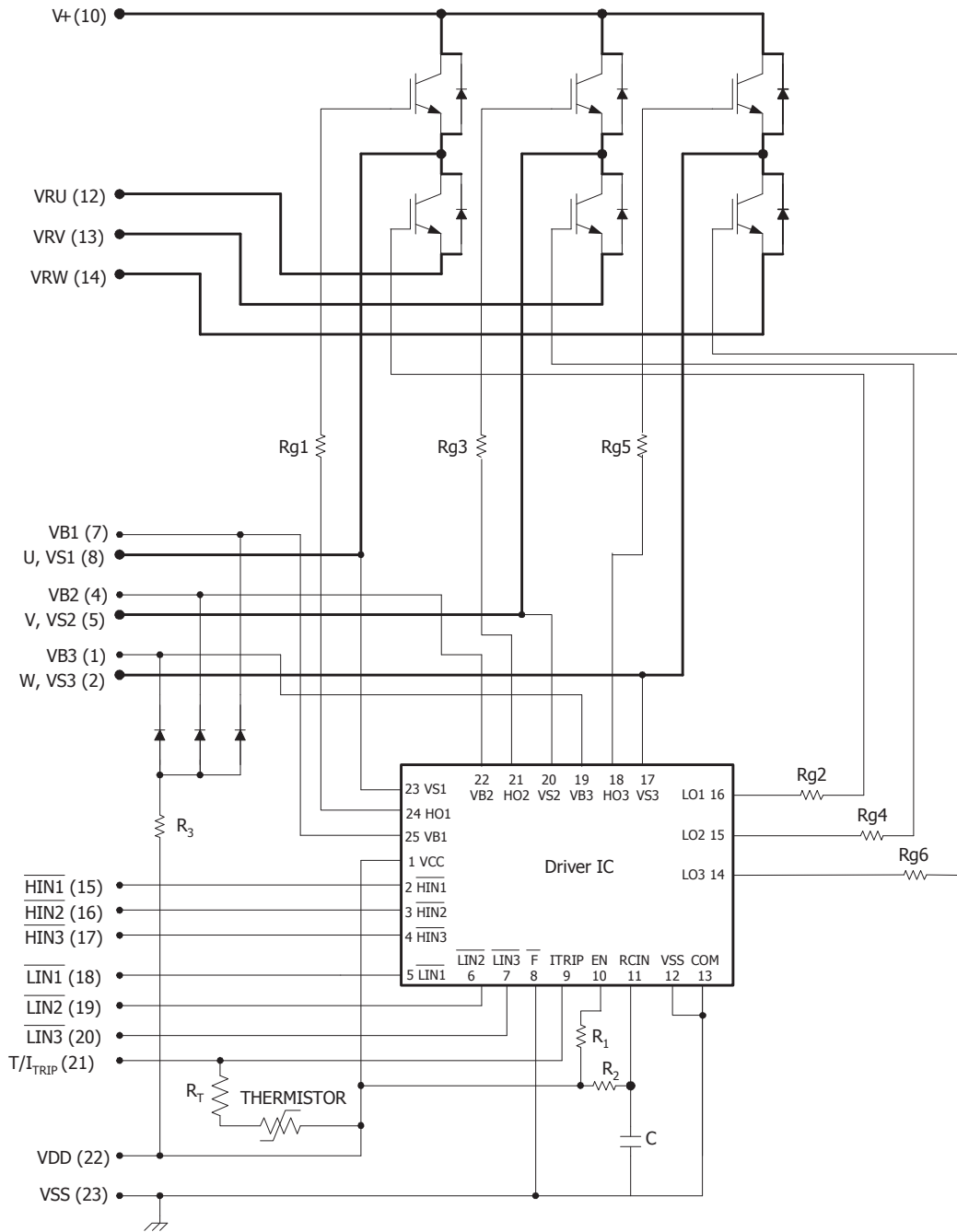
Parameter	Description	Max. Value	Units
$V_{CES} / V_{RRM}$	IGBT/Diode Blocking Voltage	600	V
$V^+$	Positive Bus Input Voltage	450	
$I_O @ T_C=25^\circ C$	RMS Phase Current (Note 1)	20	A
$I_O @ T_C=100^\circ C$	RMS Phase Current (Note 1)	10	
$I_O$	Pulsed RMS Phase Current (Note 2)	35	
$F_{PWM}$	PWM Carrier Frequency	20	kHz
$P_d$	Power dissipation per IGBT @ $T_C = 25^\circ C$	38	W
$V_{ISO}$	Isolation Voltage (1min)	2000	V <sub>RMS</sub>
$T_J$ (IGBT & Diodes)	Operating Junction temperature Range	-40 to +150	°C
$T_J$ (Driver IC)	Operating Junction temperature Range	-40 to +150	
T	Mounting torque Range (M3 screw)	0.5 to 0.6	Nm

Note 1: Sinusoidal Modulation at  $V^+=400V$ ,  $T_J=150^\circ C$ ,  $F_{PWM}=16kHz$ , Modulation Depth=0.8, PF=0.6, See Figure 3.

Note 2:  $t_p < 100ms$ ;  $T_C=25^\circ C$ ;  $F_{PWM}=16kHz$ .

# IRAMX20UP60A

## Internal Electrical Schematic - IRAMX20UP60A



## Absolute Maximum Ratings (Continued)

All voltages are absolute referenced to COM.

Symbol	Parameter	Min	Max	Units	Conditions
$I_{BDF}$	Bootstrap Diode Peak Forward Current	---	4.5	A	$t_p = 10\text{ms}$ , $T_J = 150^\circ\text{C}$ , $T_C = 100^\circ\text{C}$
$P_{BR \text{ Peak}}$	Bootstrap Resistor Peak Power (Single Pulse)	---	25.0	W	$t_p = 100\mu\text{s}$ , $T_C = 100^\circ\text{C}$ ESR / ERJ series
$V_{S1,2,3}$	High Side floating supply offset voltage	$V_{B1,2,3} - 25$	$V_{B1,2,3} + 0.3$	V	
$V_{B1,2,3}$	High Side floating supply voltage	-0.3	600	V	
$V_{CC}$	Low Side and logic fixed supply voltage	-0.3	20	V	
$V_{IN}$	Input voltage LIN, HIN, T/I <sub>Trip</sub>	-0.3	Lower of ( $V_{SS} + 15\text{V}$ ) or $V_{CC} + 0.3\text{V}$	V	

## Inverter Section Electrical Characteristics @ $T_J = 25^\circ\text{C}$

Symbol	Parameter	Min	Typ	Max	Units	Conditions
$V_{(BR)CES}$	Collector-to-Emitter Breakdown Voltage	600	---	---	V	$V_{IN} = 5\text{V}$ , $I_C = 250\mu\text{A}$
$\Delta V_{(BR)CES} / \Delta T$	Temperature Coeff. Of Breakdown Voltage	---	0.3	---	V/ $^\circ\text{C}$	$V_{IN} = 5\text{V}$ , $I_C = 1.0\text{mA}$ ( $25^\circ\text{C} - 150^\circ\text{C}$ )
$V_{CE(ON)}$	Collector-to-Emitter Saturation Voltage	---	1.75	2.15	V	$I_C = 10\text{A}$ , $V_{CC} = 15\text{V}$
		---	2.10	2.60		$I_C = 10\text{A}$ , $V_{CC} = 15\text{V}$ , $T_J = 150^\circ\text{C}$
$I_{CES}$	Zero Gate Voltage Collector Current	---	5	80	$\mu\text{A}$	$V_{IN} = 5\text{V}$ , $V^+ = 600\text{V}$
		---	165	---		$V_{IN} = 5\text{V}$ , $V^+ = 600\text{V}$ , $T_J = 150^\circ\text{C}$
$V_{FM}$	Diode Forward Voltage Drop	---	1.90	2.60	V	$I_C = 10\text{A}$
		---	1.50	2.20		$I_C = 10\text{A}$ , $T_J = 150^\circ\text{C}$
$V_{BDFM}$	Bootstrap Diode Forward Voltage Drop	--	--	1.25	V	$I_F = 1\text{A}$
		---	---	1.10		$I_F = 1\text{A}$ , $T_J = 125^\circ\text{C}$
$R_{BR}$	Bootstrap Resistor Value	---	22	---	$\Omega$	
$\Delta R_{BR} / R_{BR}$	Bootstrap Resistor Tolerance	---	---	$\pm 5$	%	

## Inverter Section Switching Characteristics @ $T_J = 25^\circ\text{C}$

Symbol	Parameter	Min	Typ	Max	Units	Conditions
$E_{ON}$	Turn-On Switching Loss	---	390	490	$\mu\text{J}$	$I_C=10\text{A}$ , $V^+=400\text{V}$ $V_{CC}=15\text{V}$ , $L=2\text{mH}$ Energy losses include "tail" and diode reverse recovery  See CT1
$E_{OFF}$	Turn-Off Switching Loss	---	150	200		
$E_{TOT}$	Total Switching Loss	---	540	690		
$E_{REC}$	Diode Reverse Recovery energy	---	35	70		
$t_{RR}$	Diode Reverse Recovery time	---	100	---	ns	See CT1
$E_{ON}$	Turn-on Switching Loss	---	620	780	$\mu\text{J}$	$I_C=10\text{A}$ , $V^+=400\text{V}$ $V_{CC}=15\text{V}$ , $L=2\text{mH}$ , $T_J=150^\circ\text{C}$ Energy losses include "tail" and diode reverse recovery  See CT1
$E_{OFF}$	Turn-off Switching Loss	---	305	400		
$E_{TOT}$	Total Switching Loss	---	925	1180		
$E_{REC}$	Diode Reverse Recovery energy	---	65	135		
$t_{RR}$	Diode Reverse Recovery time	---	130	---	ns	See CT1
$Q_G$	Turn-On IGBT Gate Charge	---	56	84	nC	$I_C=15\text{A}$ , $V^+=400\text{V}$ , $V_{GE}=15\text{V}$
RBSOA	Reverse Bias Safe Operating Area	FULL SQUARE				$T_J=150^\circ\text{C}$ , $I_C=10\text{A}$ , $V_P=600\text{V}$ $V^+=450\text{V}$ $V_{CC}=+15\text{V}$ to $0\text{V}$ See CT3
SCSOA	Short Circuit Safe Operating Area	10	---	---	$\mu\text{s}$	$T_J=150^\circ\text{C}$ , $V_P=600\text{V}$ , $V^+=360\text{V}$ , $V_{CC}=+15\text{V}$ to $0\text{V}$ See CT2
$I_{CSC}$	Short Circuit Collector Current	---	140	---	A	$T_J=150^\circ\text{C}$ , $V_P=600\text{V}$ , $t_{SC}<10\mu\text{s}$ $V^+=360\text{V}$ , $V_{GE}=15\text{V}$ $V_{CC}=+15\text{V}$ to $0\text{V}$ See CT2

## Recommended Operating Conditions Driver Function

The Input/Output logic timing diagram is shown in Figure 1. For proper operation the device should be used within the recommended conditions. All voltages are absolute referenced to COM. The  $V_S$  offset is tested with all supplies biased at 15V differential (Note 3)

Symbol	Definition	Min	Max	Units
$V_{B1,2,3}$	High side floating supply voltage	$V_S+12$	$V_S+20$	V
$V_{S1,2,3}$	High side floating supply offset voltage	Note 4	450	
$V_{CC}$	Low side and logic fixed supply voltage	12	20	V
$V_{T/TRIP}$	$T/I_{TRIP}$ input voltage	$V_{SS}$	$V_{SS}+5$	V
$V_{IN}$	Logic input voltage LIN, HIN	$V_{SS}$	$V_{SS}+5$	

Note 3: For more details, see IR21365 data sheet

Note 4: Logic operational for  $V_S$  from COM-5V to COM+600V. Logic state held for  $V_S$  from COM-5V to COM- $V_{BS}$ . (please refer to DT97-3 for more details)

## Static Electrical Characteristics Driver Function

$V_{BIAS} (V_{CC}, V_{BS1,2,3})=15V$ , unless otherwise specified. The  $V_{IN}$  and  $I_{IN}$  parameters are referenced to COM and are applicable to all six channels. (Note 3)

Symbol	Definition	Min	Typ	Max	Units
$V_{IH}$	Logic "0" input voltage	3.0	---	---	V
$V_{IL}$	Logic "1" input voltage	---	---	0.8	V
$V_{CCUV+}, V_{BSUV+}$	$V_{CC}$ and $V_{BS}$ supply undervoltage Positive going threshold	10.6	11.1	11.6	V
$V_{CCUV-}, V_{BSUV-}$	$V_{CC}$ and $V_{BS}$ supply undervoltage Negative going threshold	10.4	10.9	11.4	V
$V_{CCUVH}, V_{BSUVH}$	$V_{CC}$ and $V_{BS}$ supply undervoltage lock-out hysteresis	---	0.2	---	V
$V_{IN, clamp}$	Input Clamp Voltage (HIN, LIN, T/I <sub>TRIP</sub> ) $I_{IN}=10\mu A$	4.9	5.2	5.5	V
$I_{QBS}$	Quiescent $V_{BS}$ supply current $V_{IN}=0V$	---	---	165	$\mu A$
$I_{QCC}$	Quiescent $V_{CC}$ supply current $V_{IN}=0V$	---	---	3.35	mA
$I_{LK}$	Offset Supply Leakage Current	---	---	60	$\mu A$
$I_{IN+}$	Input bias current $V_{IN}=5V$	---	200	300	$\mu A$
$I_{IN-}$	Input bias current $V_{IN}=0V$	---	100	220	$\mu A$
$T/I_{TRIP+}$	T/I <sub>TRIP</sub> bias current $V_{ITRIP}=5V$	---	30	100	$\mu A$
$T/I_{TRIP-}$	T/I <sub>TRIP</sub> bias current $V_{ITRIP}=0V$	---	0	1	$\mu A$
$V(T/I_{TRIP})$	T/I <sub>TRIP</sub> threshold Voltage	3.85	4.30	4.75	V
$V(T/I_{TRIP}, HYS)$	T/I <sub>TRIP</sub> Input Hysteresis	---	0.07	---	V

## Dynamic Electrical Characteristics

Driver only timing unless otherwise specified.

Symbol	Parameter	Min	Typ	Max	Units	Conditions
$T_{ON}$	Input to Output propagation turn-on delay time (see fig.11)	---	600	---	ns	$V_{CC}=V_{BS}= 15V, I_C=10A, V^+=400V$
$T_{OFF}$	Input to Output propagation turn-off delay time (see fig. 11)	---	700	---	ns	
$T_{FLIN}$	Input Filter time (HIN, LIN)	100	200	---	ns	$V_{IN}=0$ & $V_{IN}=5V$
$T_{BLT-Trip}$	I <sub>TRIP</sub> Blanking Time	100	150	---	ns	$V_{IN}=0$ & $V_{IN}=5V$
$D_T$	Dead Time ( $V_{BS}=V_{DD}=15V$ )	220	290	360	ns	$V_{BS}=V_{CC}=15V$
$M_T$	Matching Propagation Delay Time (On & Off)	---	40	75	ns	$V_{CC}= V_{BS}= 15V$ , external dead time > 400ns
$T_{T/ITrip}$	T/I <sub>trip</sub> to six switch to turn-off propagation delay (see fig. 2)	---	---	1.75	$\mu s$	$V_{CC}=V_{BS}= 15V, I_C=10A, V^+=400V$
$T_{FLT-CLR}$	Post T/I <sub>trip</sub> to six switch to turn-off clear time (see fig. 2)	---	7.7	---	ms	$T_C = 25^\circ C$
		---	6.7	---		$T_C = 100^\circ C$

# IRAMX20UP60A

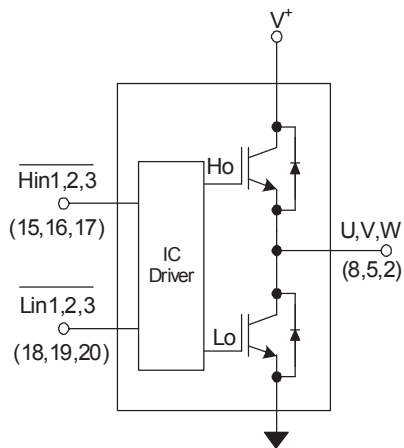
## Thermal and Mechanical Characteristics

Symbol	Parameter	Min	Typ	Max	Units	Conditions
$R_{th(J-C)}$	Thermal resistance, per IGBT	---	1.5	2.2	°C/W	Flat, greased surface. Heatsink compound thermal conductivity 1W/mK
$R_{th(J-C)}$	Thermal resistance, per Diode	---	5	5.5		
$R_{th(C-S)}$	Thermal resistance, C-S	---	0.1	---		
$C_D$	Creepage Distance	3.2	---	---	mm	See outline Drawings

## Internal NTC - Thermistor Characteristics

Parameter	Definition	Min	Typ	Max	Units	Conditions
$R_{25}$	Resistance	97	100	103	k $\Omega$	$T_C = 25^\circ\text{C}$
$R_{125}$	Resistance	2.25	2.52	2.80	k $\Omega$	$T_C = 125^\circ\text{C}$
B	B-constant (25-50°C)	4165	4250	4335	k	$R_2 = R_1 e^{[B(1/T_2 - 1/T_1)]}$
Temperature Range		-40		125	°C	
Typ. Dissipation constant			1		mW/°C	$T_C = 25^\circ\text{C}$

## Input-Output Logic Level Table



$T/I_{TRIP}$	$\overline{\text{HIN}}_{1,2,3}$	$\overline{\text{LIN}}_{1,2,3}$	U,V,W
0	0	1	$V^+$
0	1	0	0
0	1	1	Off
1	X	X	Off

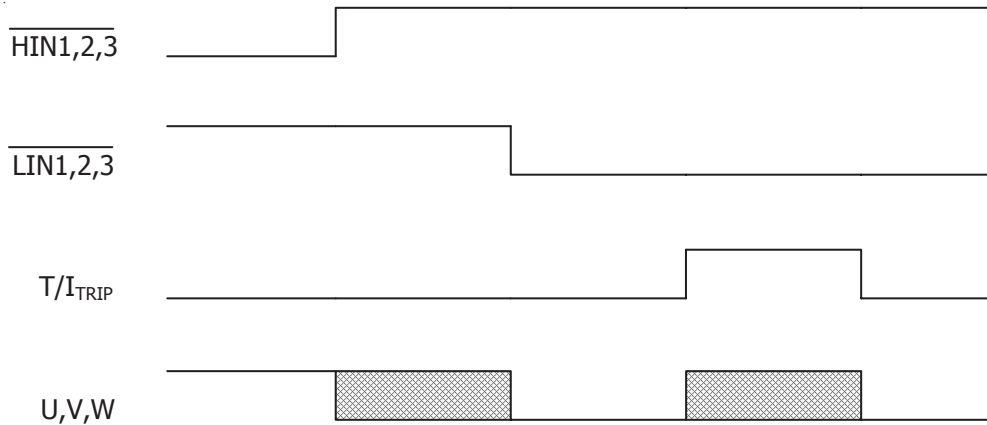


Figure1. Input/Output Timing Diagram

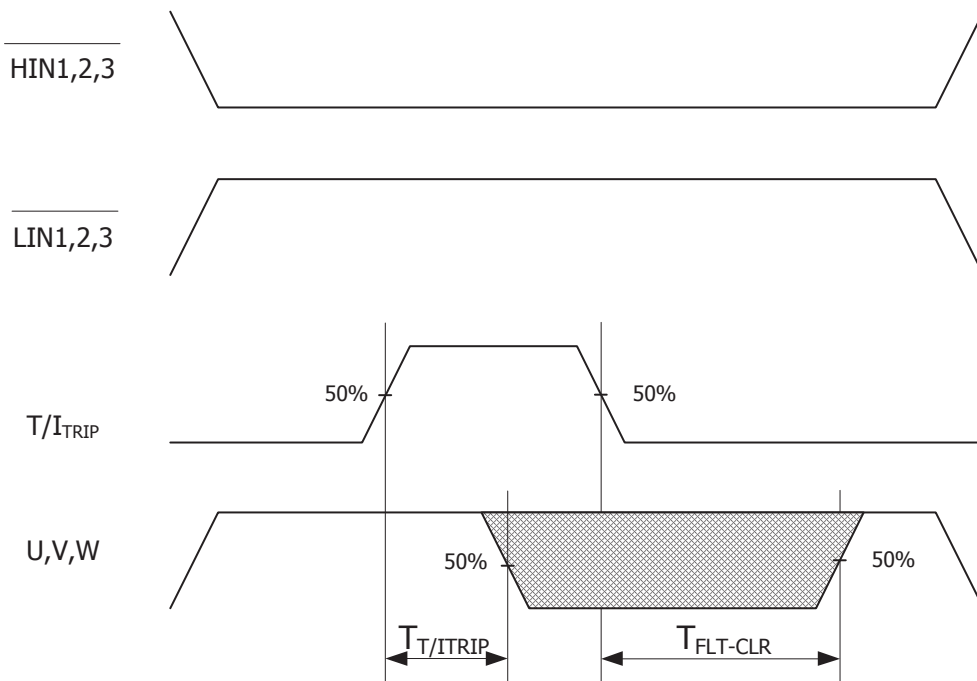


Figure 2.  $I_{Trip}$  Timing Waveform

Note 5: The shaded area indicates that both high-side and low-side switches are off and therefore the half-bridge output voltage would be determined by the direction of current flow in the load.

# IRAMX20UP60A

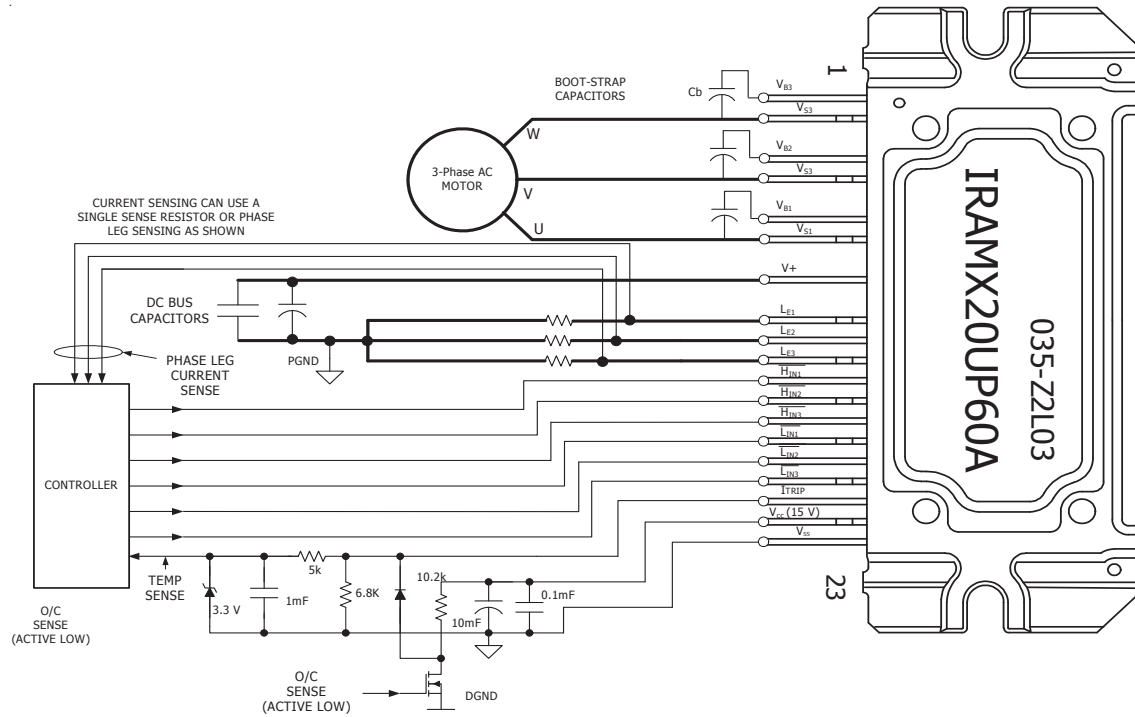
## Module Pin-Out Description

Pin	Name	Description
1	$V_{B3}$	High Side Floating Supply Voltage 3
2	$W, V_{S3}$	Output 3 - High Side Floating Supply Offset Voltage
3	NA	none
4	$V_{B2}$	High Side Floating Supply voltage 2
5	$V, V_{S2}$	Output 2 - High Side Floating Supply Offset Voltage
6	NA	none
7	$V_{B1}$	High Side Floating Supply voltage 1
8	$U, V_{S1}$	Output 1 - High Side Floating Supply Offset Voltage
9	NA	none
10	$V^+$	Positive Bus Input Voltage
11	NA	none
12	$L_{E1}$	Low Side Emitter Connection - Phase 1
13	$L_{E2}$	Low Side Emitter Connection - Phase 2
14	$L_{E3}$	Low Side Emitter Connection - Phase 3
15	$\overline{H}_{IN1}$	Logic Input High Side Gate Driver - Phase 1
16	$\overline{H}_{IN2}$	Logic Input High Side Gate Driver - Phase 2
17	$\overline{H}_{IN3}$	Logic Input High Side Gate Driver - Phase 3
18	$\overline{L}_{IN1}$	Logic Input Low Side Gate Driver - Phase 1
19	$\overline{L}_{IN2}$	Logic Input Low Side Gate Driver - Phase 2
20	$\overline{L}_{IN3}$	Logic Input Low Side Gate Driver - Phase 3
21	$T/I_{TRIP}$	Temperature Monitor and Shut-down Pin
22	$V_{CC}$	+15V Main Supply
23	$V_{SS}$	Negative Main Supply





## Typical Application Connection IRAMX20UP60A



1. Electrolytic bus capacitors should be mounted as close to the module bus terminals as possible to reduce ringing and EMI problems. Additional high frequency ceramic capacitor mounted close to the module pins will further improve performance.
2. In order to provide good decoupling between V<sub>CC</sub>-V<sub>SS</sub> and V<sub>B1,2,3</sub>-V<sub>S1,2,3</sub> terminals, the capacitors shown connected between these terminals should be located very close to the module pins. Additional high frequency capacitors, typically 0.1μF, are strongly recommended.
3. Value of the boot-strap capacitors depends upon the switching frequency. Their selection should be made based on IR design tip DN 98-2a, application note AN-1044 or Figure 9. Bootstrap capacitor value must be selected to limit the power dissipation of the internal resistor in series with the V<sub>CC</sub>. (see maximum ratings Table on page 3).
4. After approx. 8ms the FAULT is reset. (see Dynamic Characteristics Table on page 5).
5. PWM generator must be disabled within Fault duration to guarantee shutdown of the system, overcurrent condition must be cleared before resuming operation.

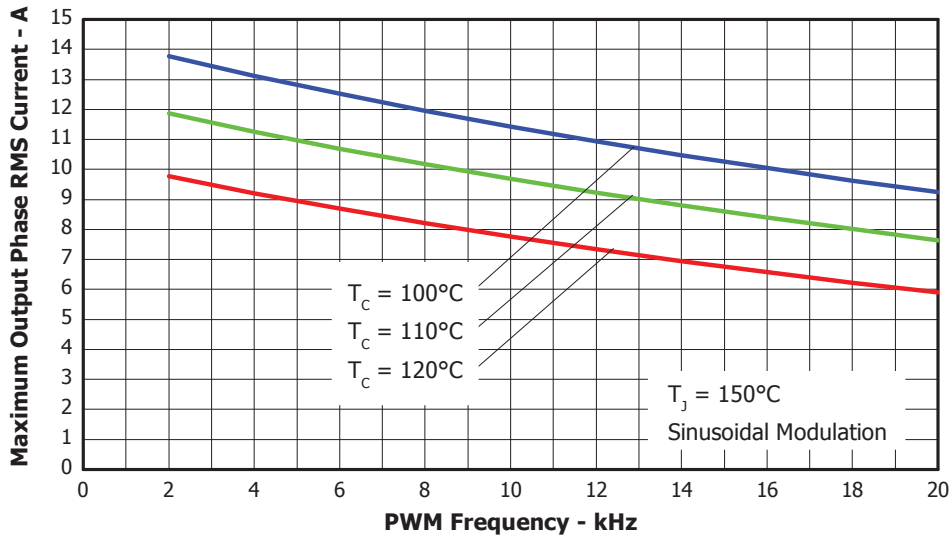


Figure 3. Maximum Sinusoidal Phase Current vs. PWM Switching Frequency  
 $V^+=400\text{V}$  ,  $T_J=150^\circ\text{C}$ , Modulation Depth=0.8, PF=0.6

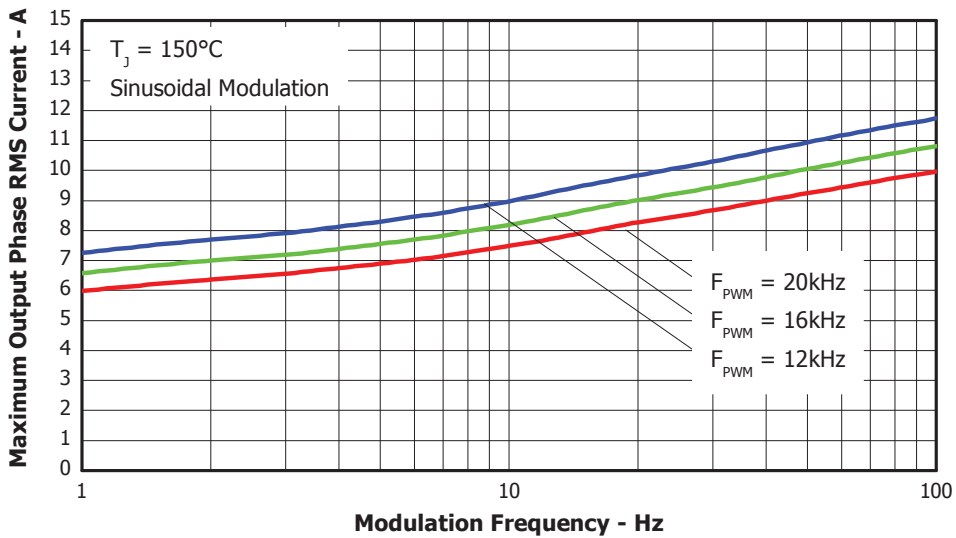


Figure 4. Maximum Sinusoidal Phase Current vs. Modulation Frequency  
 $V^+=400\text{V}$ ,  $T_J=150^\circ\text{C}$ ,  $T_C=100^\circ\text{C}$ , Modulation Depth=0.8, PF=0.6

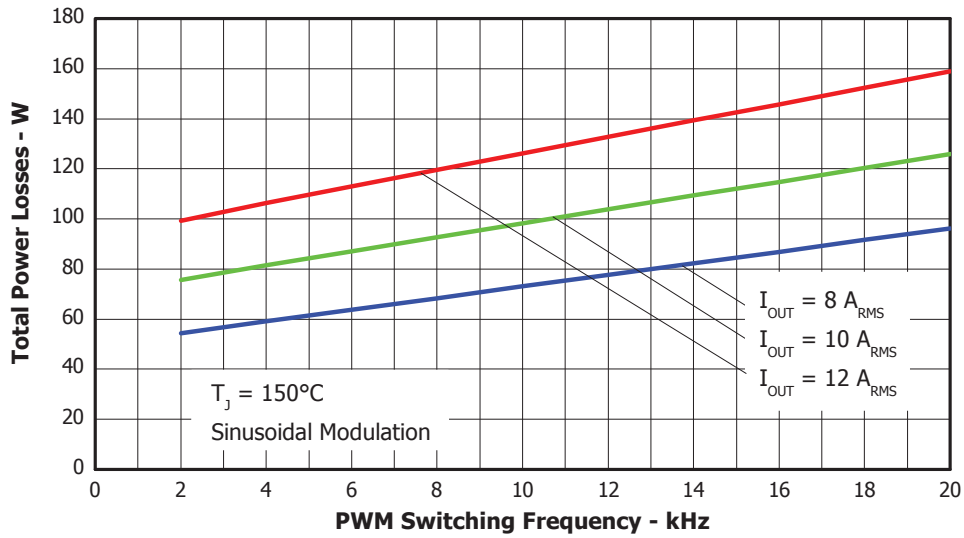


Figure 5. Total Power Losses vs. PWM Switching Frequency, Sinusoidal modulation  
 $V^+=400\text{V}$  ,  $T_j=150^\circ\text{C}$ , Modulation Depth=0.8, PF=0.6

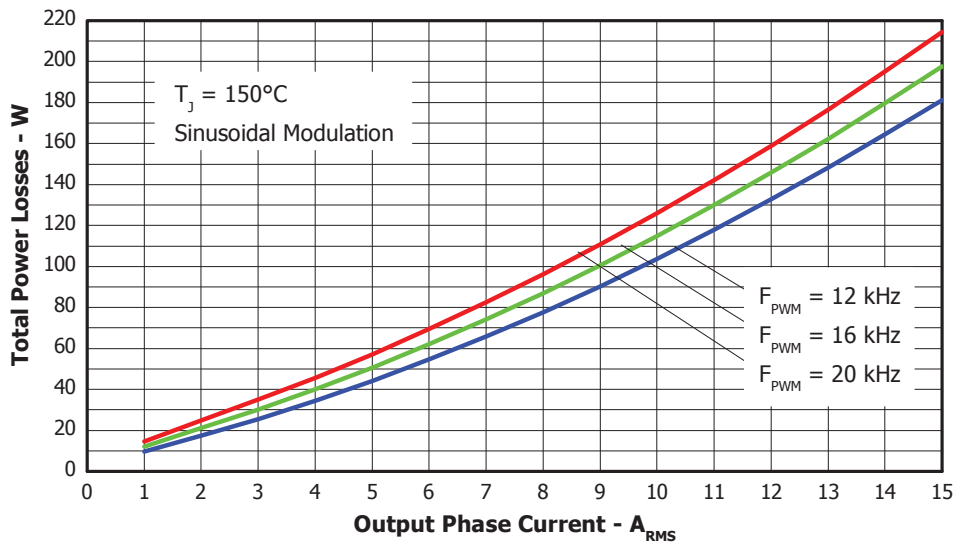


Figure 6. Total Power Losses vs. Output Phase Current, Sinusoidal modulation  
 $V_{BUS}=400\text{V}$  ,  $T_j=150^\circ\text{C}$ , Modulation Depth=0.8, PF=0.6

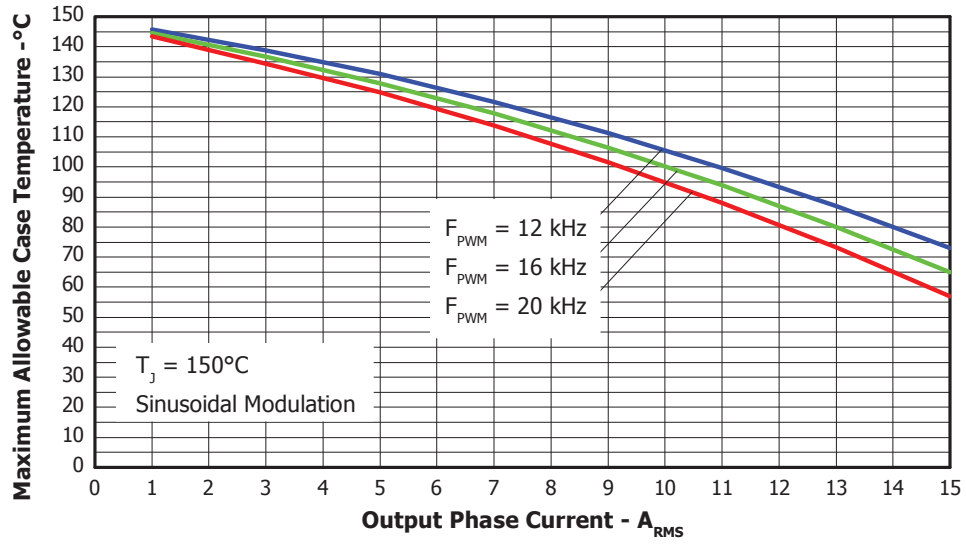


Figure 7. Maximum Allowable Case temperature vs. Output RMS Current per Phase

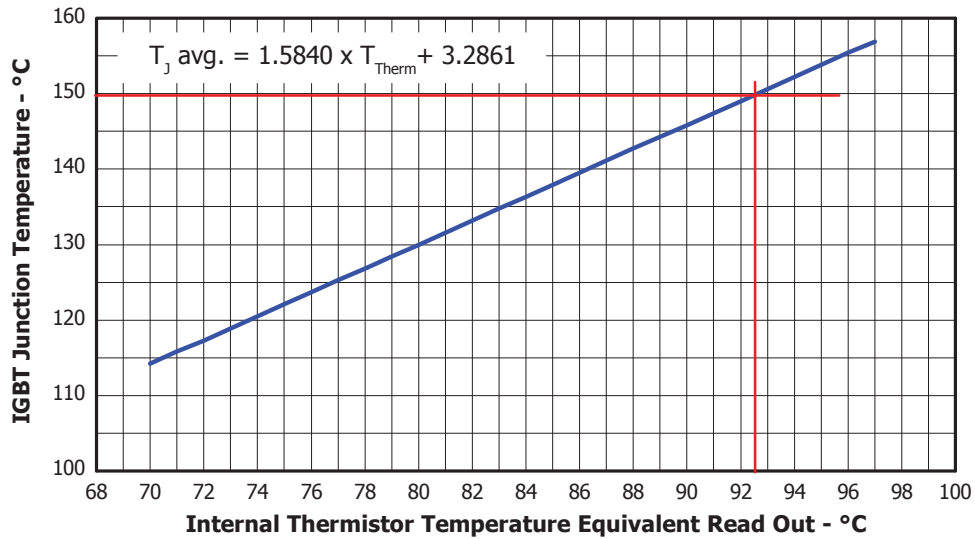


Figure 8. Estimated Maximum IGBT Junction Temperature vs. Thermistor Temperature

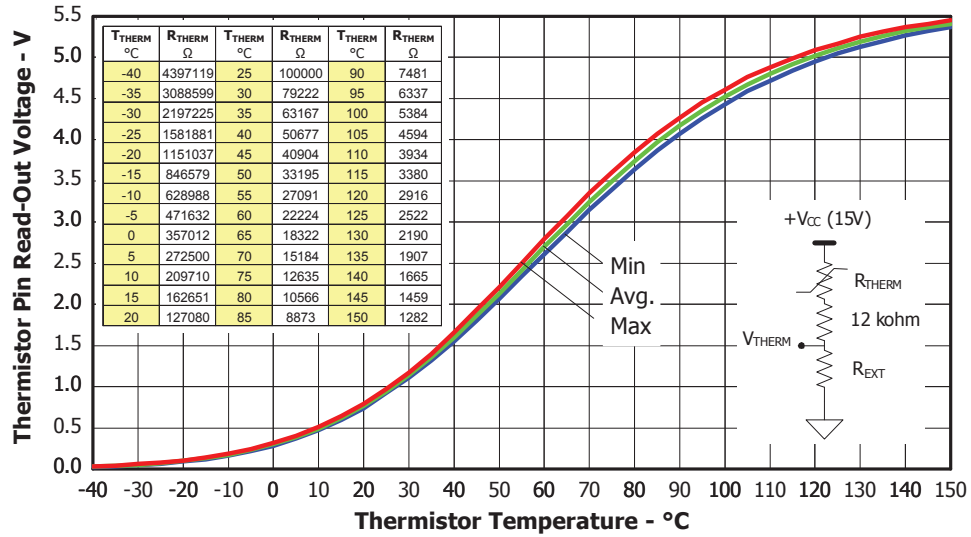


Figure 9. Thermistor Readout vs. Temperature (7.5kohm pull-up resistor, 5V) and Nominal Thermistor Resistance values vs. Temperature Table.

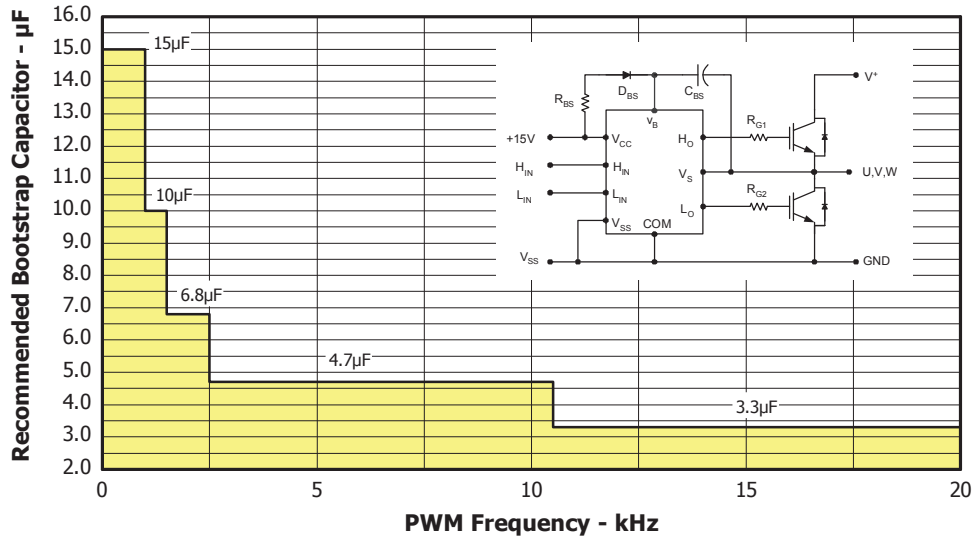


Figure 10. Recommended Bootstrap Capacitor Value vs. Switching Frequency

Figure 11. Switching Parameter Definitions

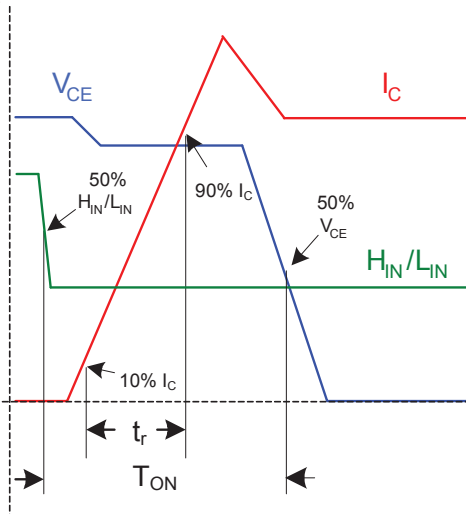


Figure 11a. Input to Output propagation turn-on delay time.

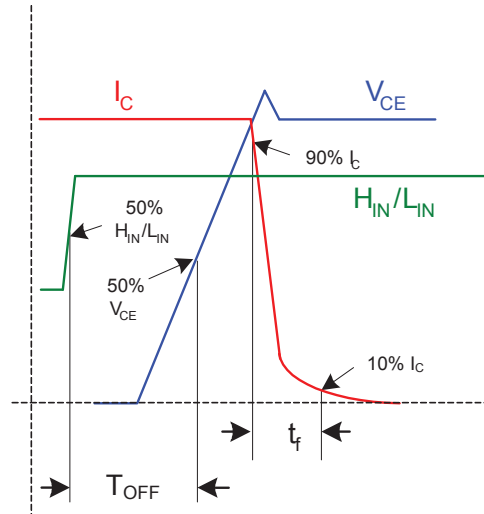


Figure 11b. Input to Output propagation turn-off delay time.

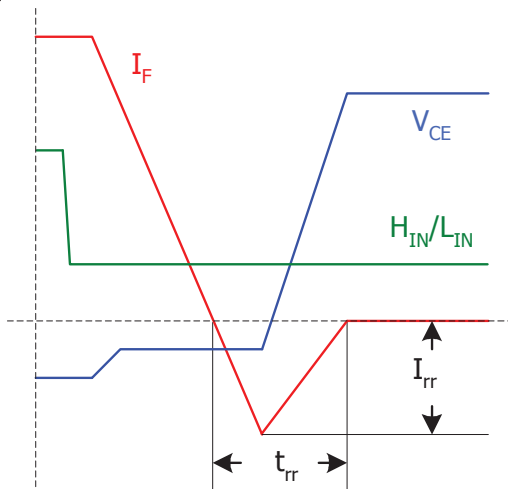


Figure 11c. Diode Reverse Recovery.

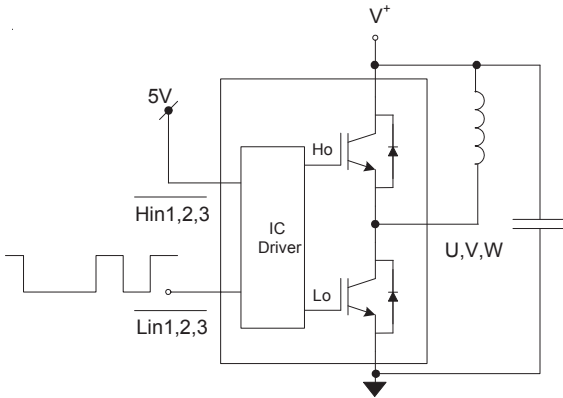


Figure CT1. Switching Loss Circuit

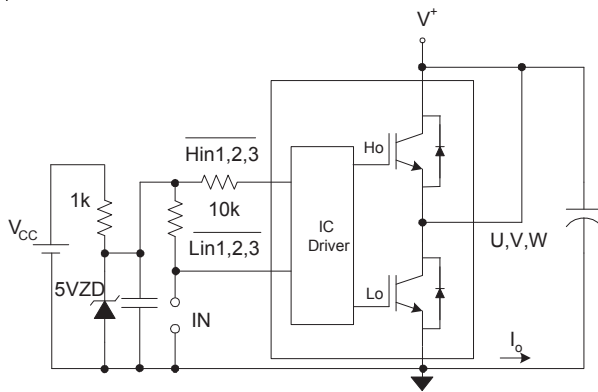
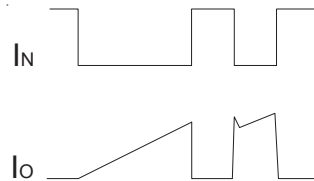


Figure CT2. S.C.SOA Circuit

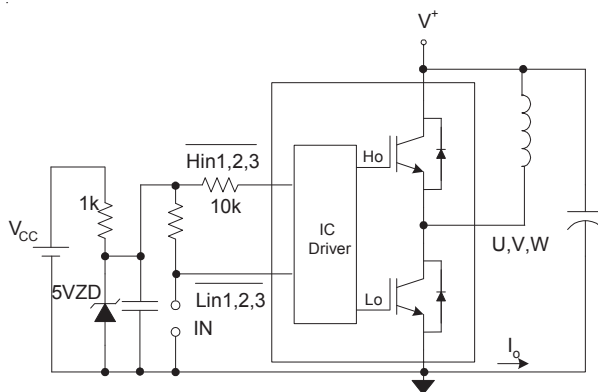
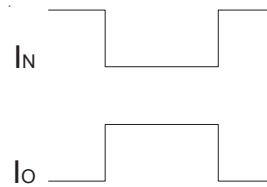
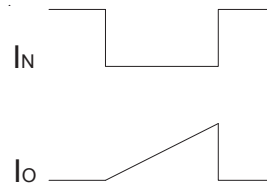
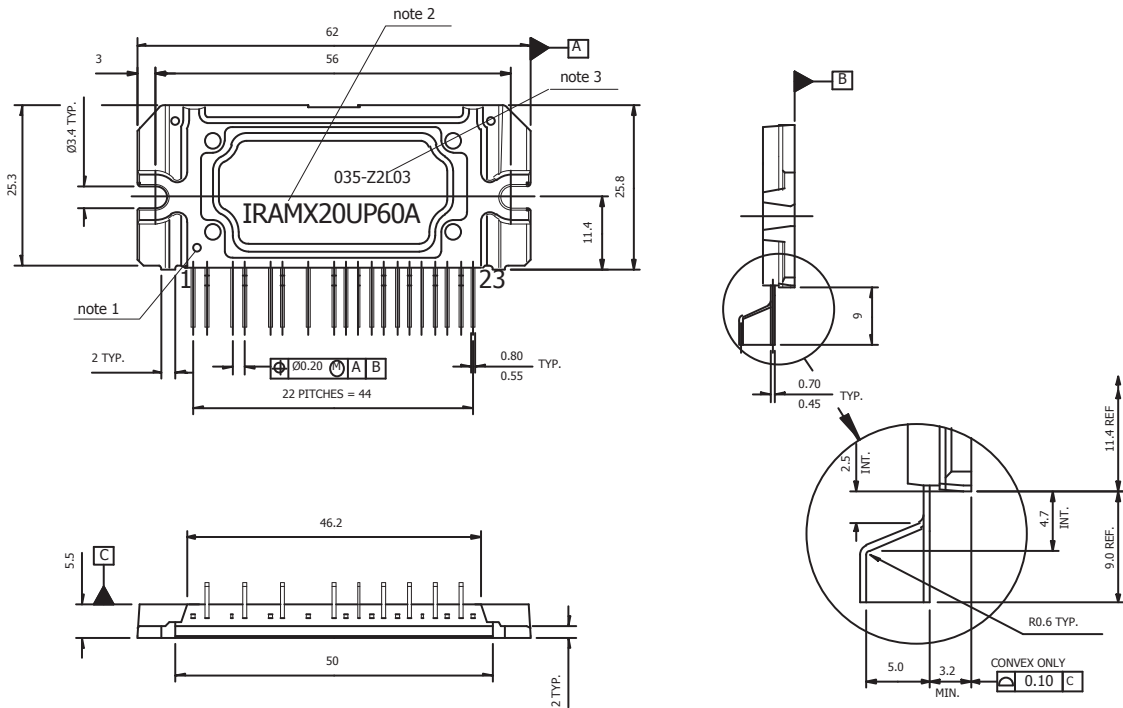


Figure CT3. R.B.SOA Circuit



# IRAMX20UP60A

## Package Outline IRAMX20UP60A



### Notes:

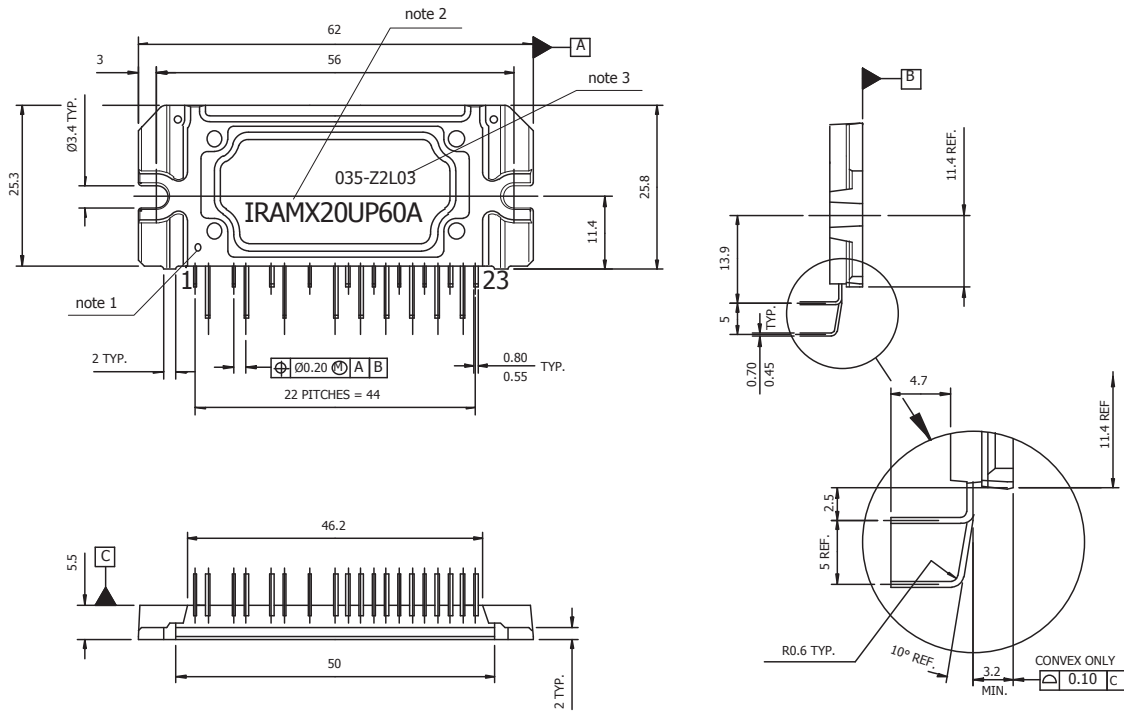
Dimensions in mm

- 1- Marking for pin 1 identification
- 2- Product Part Number
- 3- Lot and Date code marking
- 4- Convex only 0.10mm typical
- 5- Tolerances  $\pm 0.5\text{mm}$ , unless otherwise stated

For mounting instruction see AN-1049



## Package Outline IRAMX20UP60A-2



### Notes:

Dimensions in mm

- 1- Marking for pin 1 identification
- 2- Product Part Number
- 3- Lot and Date code marking
- 4- Convex only 0.10mm typical
- 5- Tolerances  $\pm 0.5\text{mm}$ , unless otherwise stated

For mounting instruction see AN-1049