



TDH SERIES

LOW VOLTAGE 3-PHASE 3-WIRE FILTERS

COMPONENT

PART NO.	L (mH)	Cx (uF)	Cy (pF)	R (KΩ)
10TDHG6	2.3	0.22	4700	680
20TDHG6	0.5			
30TDHS6	0.5			
40TDHS6	1.1			
50TDHS6	0.7			

MINIMUM INSERTION LOSS IN dB

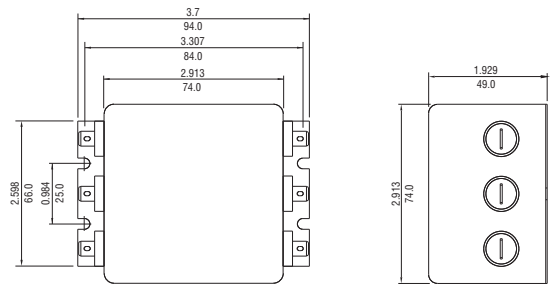
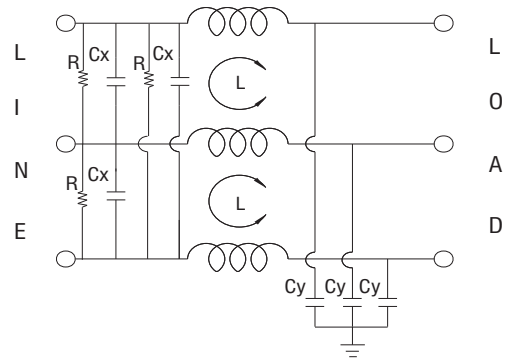
COMMONMODE(L-G)IN50OHMSYSTEM							
TYPE	CURRENT RATING	FREQUENCY -MHz					
		.15	.50	1.0	5.0	10	30
10TDHG6	10A	25	40	40	40	40	35
20TDHG6	20A	15	25	28	38	45	35
30TDHS6	30A	10	25	25	35	30	20
40TDHS6	40A	18	30	30	35	40	25
50TDHS6	50A	15	28	28	35	40	35

DIFFERENTIALMODE(L-L)IN50OHMSYSTEM							
TYPE	CURRENT RATING	FREQUENCY -MHz					
		.15	.50	1.0	5.0	10	30
10TDHG6	10A	15	28	40	40	45	40
20TDHG6	20A	15	25	28	50	55	40
30TDHS6	30A	15	25	35	35	35	40
40TDHS6	40A	18	28	35	45	50	35
50TDHS6	50A	20	30	35	40	45	45

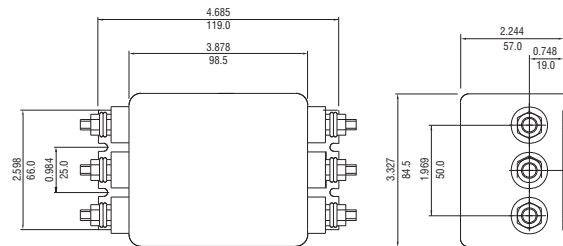
INTRODUCTIONS

1. Applications: Electric equipment, UPS, machine tool, copy machine, automation equipment, robot, AC motor drive
2. Voltage rating: 250VAC
3. Operating frequency: 50/60Hz

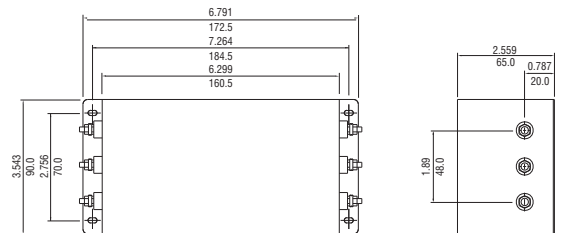
ELECTRICAL SCHEMATIC



10/20TDHG6

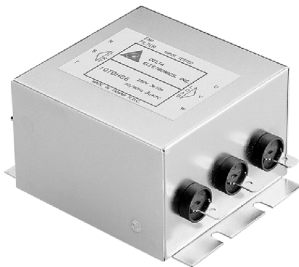


30TDHS6



40/50TDHS6

MECHANICAL CONSTRUCTION



10/20TDHG6

UNIT: $\frac{\text{INCH}}{\text{mm}}$

THREE-PHASE FILTERS