

## N-Channel Super Junction Power MOSFET

### General Description

The series of devices use advanced super junction technology and design to provide excellent  $R_{DS(ON)}$  with low gate charge. This super junction MOSFET fits the industry's AC-DC SMPS requirements for PFC, AC/DC power conversion, and industrial power applications.

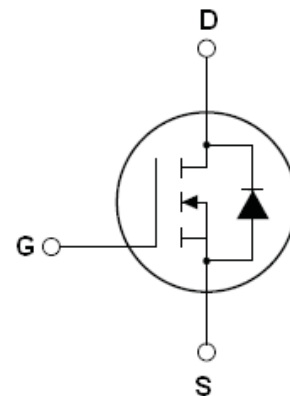
### Features

- New technology for high voltage device
- Low on-resistance and low conduction losses
- Small package
- Ultra Low Gate Charge cause lower driving requirements
- 100% Avalanche Tested
- ROHS compliant

### Application

- Power factor correction (PFC)
- Switched mode power supplies(SMPS)
- Uninterruptible Power Supply (UPS)

$V_{DS}@T_{jmax}$	650 V	
$R_{DS(ON) MAX}$	180	mΩ
$I_D$	21	A



Schematic diagram

### Package Marking And Ordering Information

Device	Device Package	Marking
RM21N650T7	TO-247	21N650

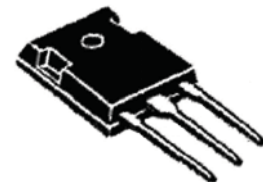


Table 1. Absolute Maximum Ratings ( $T_C=25^\circ\text{C}$ )

Parameter	Symbol	RM21N650T7	Unit
Drain-Source Voltage ( $V_{GS}=0V$ )	$V_{DS}$	650	V
Gate-Source Voltage ( $V_{DS}=0V$ )	$V_{GS}$	$\pm 30$	V
Continuous Drain Current at $T_C=25^\circ\text{C}$	$I_{D(DC)}$	21	A
Continuous Drain Current at $T_C=100^\circ\text{C}$	$I_{D(DC)}$	13.2	A
Pulsed drain current (Note 1)	$I_{DM(pluse)}$	63	A
Maximum Power Dissipation( $T_C=25^\circ\text{C}$ )	$P_D$	200	W
Derate above $25^\circ\text{C}$		1.6	W/ $^\circ\text{C}$
Single pulse avalanche energy (Note 2)	$E_{AS}$	690	mJ
Avalanche current (Note 1)	$I_{AR}$	7	A
Repetitive Avalanche energy, $t_{AR}$ limited by $T_{jmax}$ (Note 1)	$E_{AR}$	1	mJ

Parameter	Symbol	RM21N650T7	Unit
Drain Source voltage slope, $V_{DS} \leq 480V$ ,	dv/dt	50	V/ns
Reverse diode dv/dt, $V_{DS} \leq 480V, I_{SD} < I_D$	dv/dt	15	V/ns
Operating Junction and Storage Temperature Range	$T_J, T_{STG}$	-55...+150	°C

\* limited by maximum junction temperature

**Table 2. Thermal Characteristic**

Parameter	Symbol	RM21N650T7	Unit
Thermal Resistance, Junction-to-Case (Maximum)	$R_{thJC}$	0.62	°C /W
Thermal Resistance, Junction-to-Ambient (Maximum)	$R_{thJA}$	62.5	°C /W

**Table 3. Electrical Characteristics (TA=25°C unless otherwise noted)**

Parameter	Symbol	Condition	Min	Typ	Max	Unit
<b>On/off states</b>						
Drain-Source Breakdown Voltage	$BV_{DSS}$	$V_{GS}=0V, I_D=250\mu A$	600			V
Zero Gate Voltage Drain Current( $T_C=25^\circ C$ )	$I_{DSS}$	$V_{DS}=600V, V_{GS}=0V$		0.05	1	$\mu A$
Zero Gate Voltage Drain Current( $T_C=125^\circ C$ )	$I_{DSS}$	$V_{DS}=600V, V_{GS}=0V$			100	$\mu A$
Gate-Body Leakage Current	$I_{GSS}$	$V_{GS}=\pm 30V, V_{DS}=0V$			$\pm 100$	nA
Gate Threshold Voltage	$V_{GS(th)}$	$V_{DS}=V_{GS}, I_D=250\mu A$	2.5	3	3.5	V
Drain-Source On-State Resistance	$R_{DS(on)}$	$V_{GS}=10V, I_D=10.5A$		150	180	m $\Omega$
<b>Dynamic Characteristics</b>						
Forward Transconductance	$g_{FS}$	$V_{DS} = 20V, I_D = 10.5A$		17.5		S
Input Capacitance	$C_{iss}$	$V_{DS}=50V, V_{GS}=0V,$ $F=1.0MHz$		1950		PF
Output Capacitance	$C_{oss}$			150		PF
Reverse Transfer Capacitance	$C_{rss}$			5		PF
Total Gate Charge	$Q_g$	$V_{DS}=480V, I_D=21A,$ $V_{GS}=10V$		45	70	nC
Gate-Source Charge	$Q_{gs}$			9		nC
Gate-Drain Charge	$Q_{gd}$			18		nC
Intrinsic gate resistance	$R_G$	$f = 1 MHz$ open drain		1		$\Omega$
<b>Switching times</b>						
Turn-on Delay Time	$t_{d(on)}$	$V_{DD}=380V, I_D=11A,$ $R_G=4\Omega, V_{GS}=10V$		11		nS
Turn-on Rise Time	$t_r$			6		nS
Turn-Off Delay Time	$t_{d(off)}$			61	100	nS
Turn-Off Fall Time	$t_f$			4.5	12	nS
<b>Source- Drain Diode Characteristics</b>						
Source-drain current(Body Diode)	$I_{SD}$	$T_C=25^\circ C$			21	A
Pulsed Source-drain current(Body Diode)	$I_{SDM}$				63	A
Forward on voltage	$V_{SD}$	$T_J=25^\circ C, I_{SD}=21A, V_{GS}=0V$		0.9	1.3	V
Reverse Recovery Time	$t_{rr}$	$T_J=25^\circ C, I_F=21A, di/dt=100A/\mu s$		310		nS
Reverse Recovery Charge	$Q_{rr}$				5	$\mu C$
Peak Reverse Recovery Current	$I_{rrm}$				28	A

Notes 1. Repetitive Rating: Pulse width limited by maximum junction temperature

2.  $T_J=25^\circ C, V_{DD}=50V, V_G=10V, R_G=25\Omega$

# RATING AND CHARACTERISTICS CURVES (RM21N650T7)

Figure1. Safe operating area

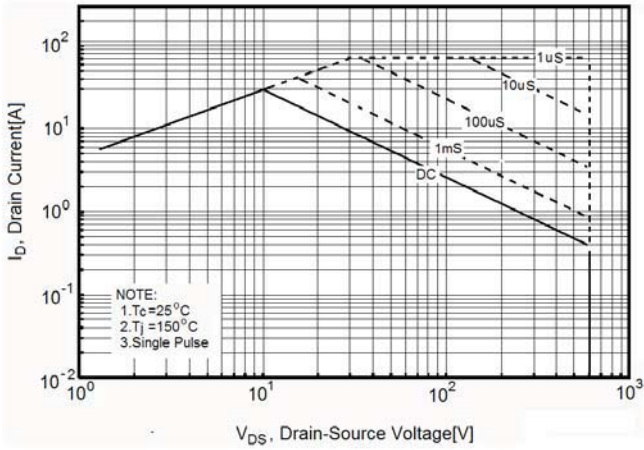


Figure3. Source-Drain Diode Forward Voltage

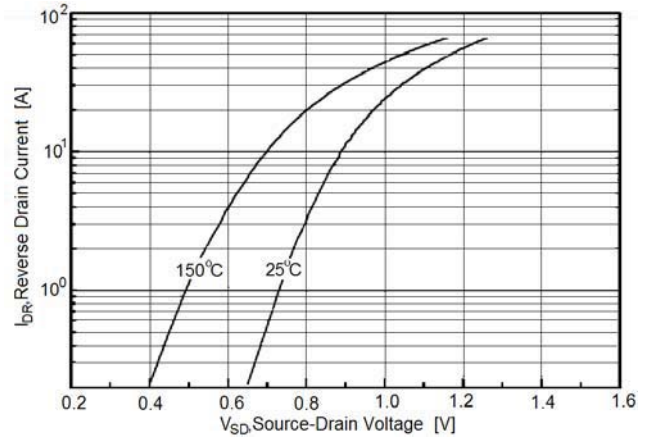


Figure4. Output characteristics

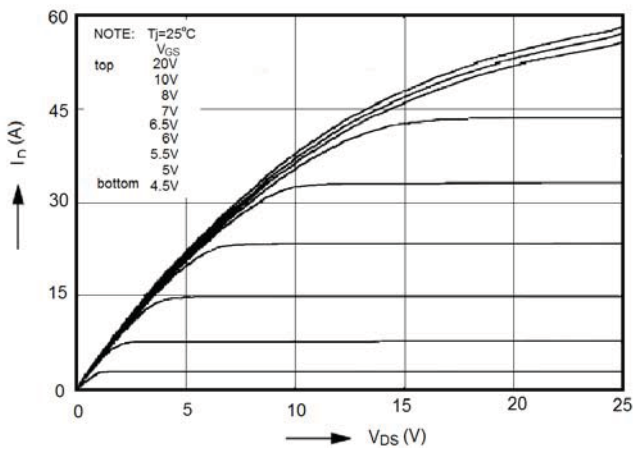


Figure5. Transfer characteristics

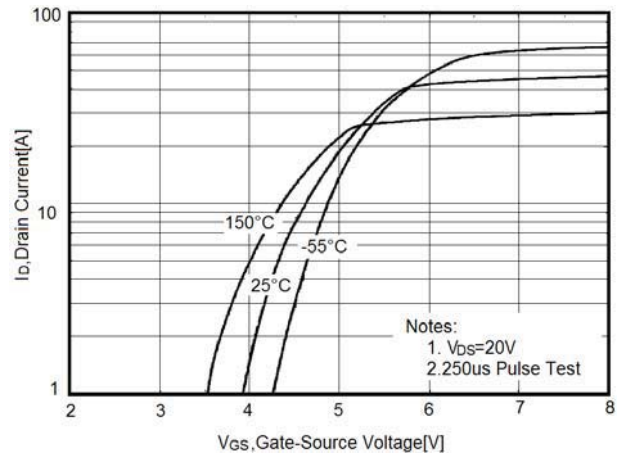


Figure6. Static drain-source on resistance

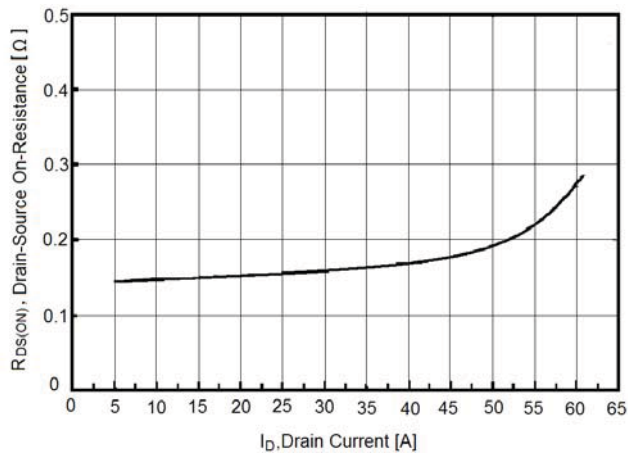
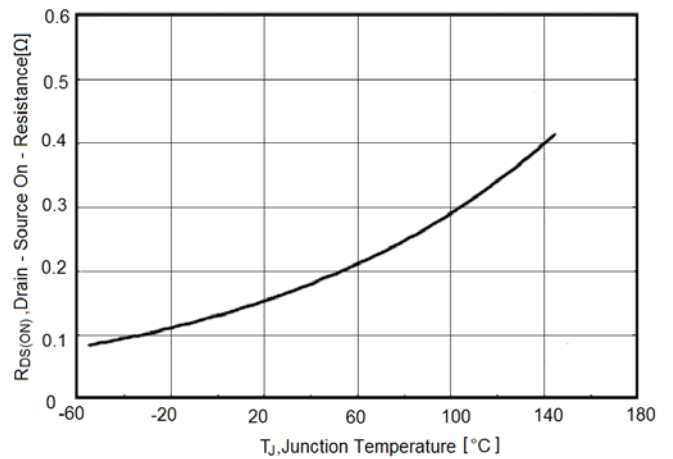


Figure7.  $R_{DS(ON)}$  vs Junction Temperature



# RATING AND CHARACTERISTICS CURVES (RM21N650T7)

Figure8.  $BV_{DSS}$  vs Junction Temperature

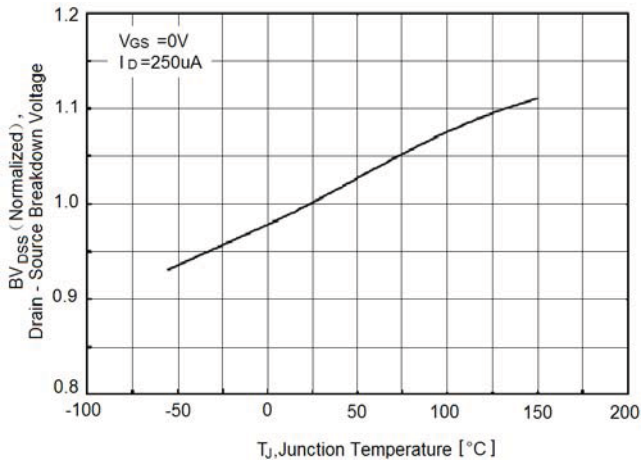


Figure9. Maximum  $I_D$  vs Junction Temperature

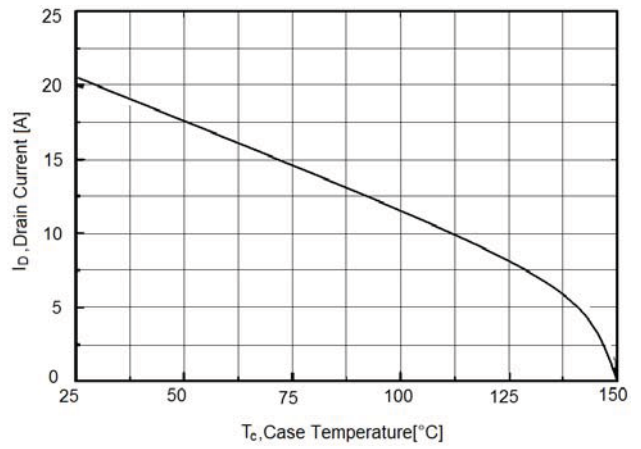


Figure10. Gate charge waveforms

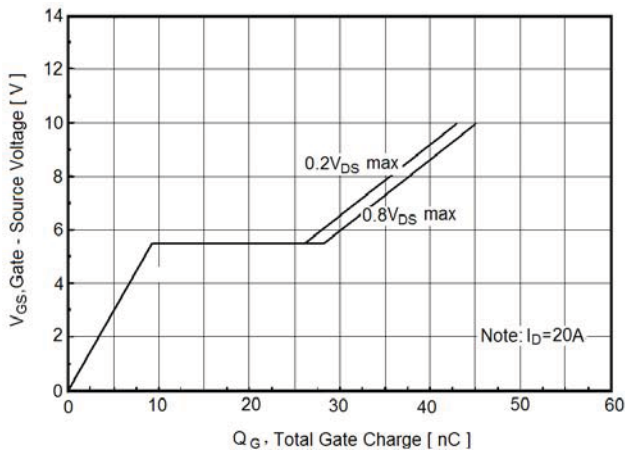


Figure11. Capacitance

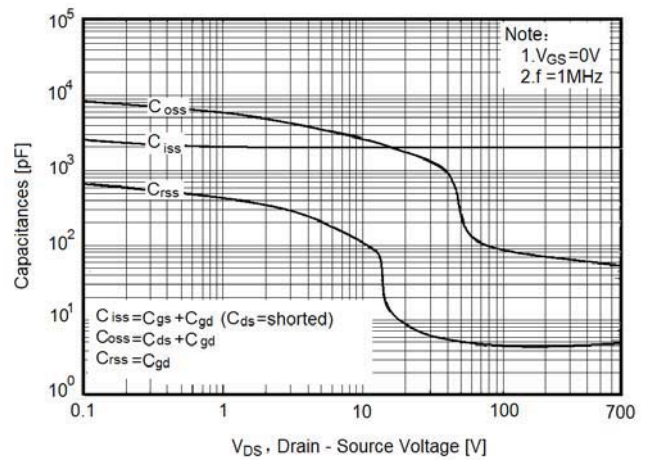
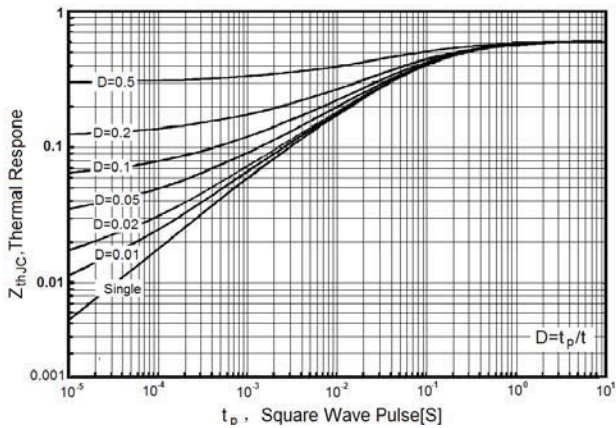
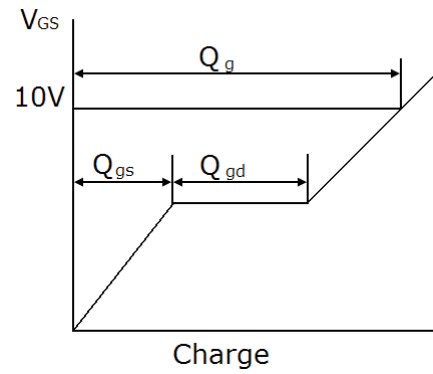
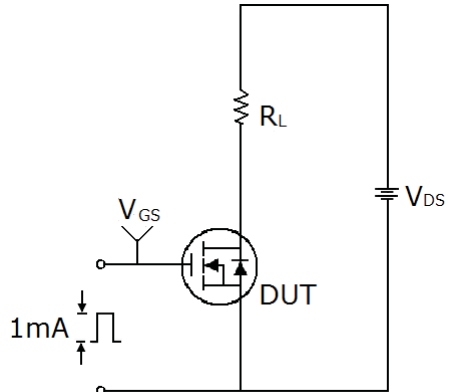


Figure12. Transient Thermal Impedance

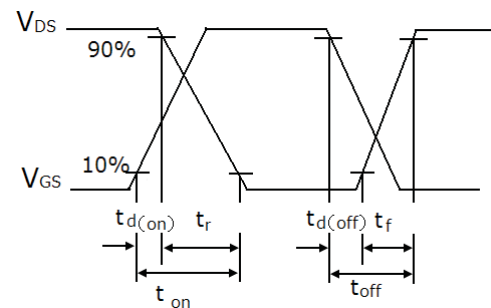
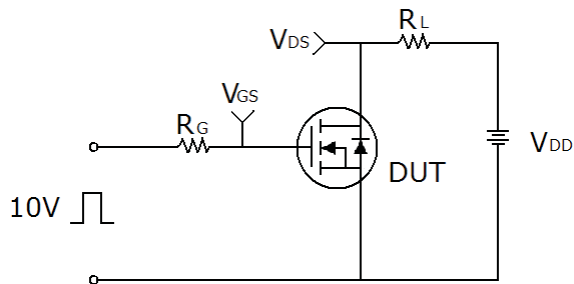


# Test circuit

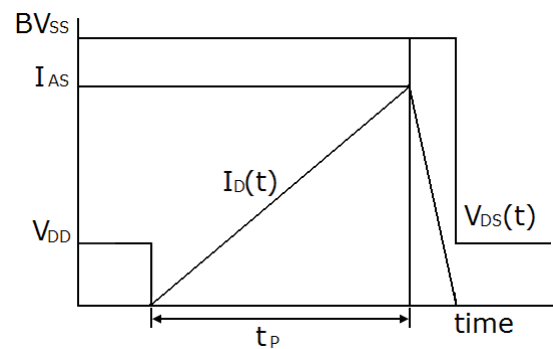
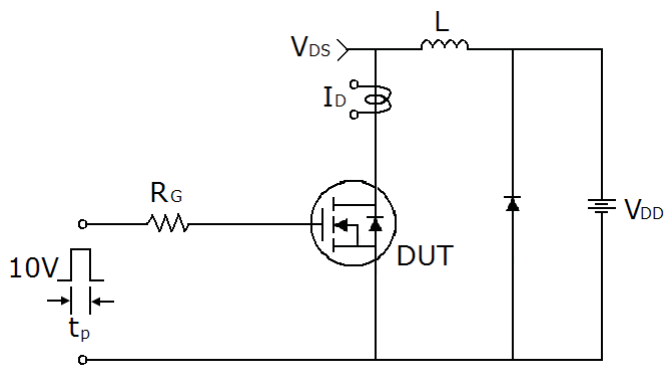
## 1) Gate charge test circuit & Waveform



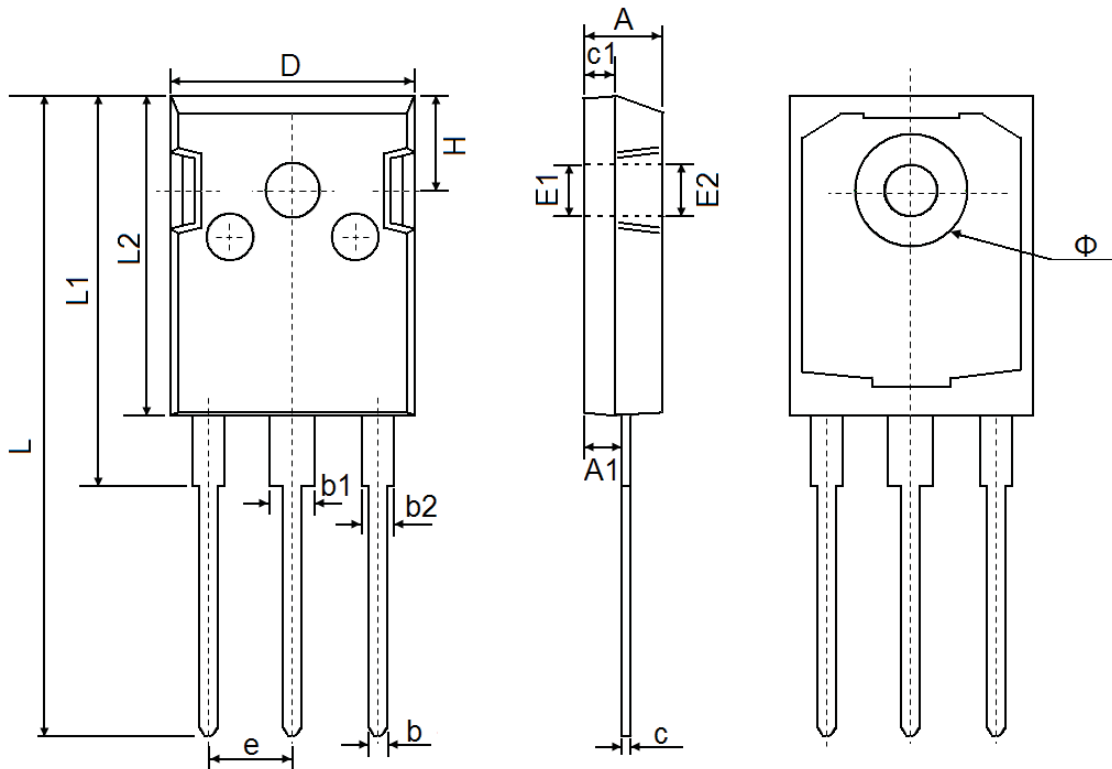
## 2) Switch Time Test Circuit:



## 3) Unclamped Inductive Switching Test Circuit & Waveforms



# TO-247 Package Information



Symbol	Dimensions In Millimeters		Dimensions In Inches	
	Min.	Max.	Min.	Max.
A	4.850	5.150	0.191	0.200
A1	2.200	2.600	0.087	0.102
b	1.000	1.400	0.039	0.055
b1	2.800	3.200	0.110	0.126
b2	1.800	2.200	0.071	0.087
c	0.500	0.700	0.020	0.028
c1	1.900	2.100	0.075	0.083
D	15.450	15.750	0.608	0.620
E1	3.500 REF		0.138 REF	
E2	3.600 REF		0.142 REF	
L	40.900	41.300	1.610	1.626
L1	24.800	25.100	0.976	0.988
L2	20.300	20.600	0.799	0.811
Φ	7.100	7.300	0.280	0.287
e	5.450 TYP		0.215 TYP	
H	5.980 REF		0.235 REF	

## DISCLAIMER NOTICE

Rectron Inc reserves the right to make changes without notice to any product specification herein, to make corrections, modifications, enhancements or other changes. Rectron Inc or anyone on its behalf assumes no responsibility or liability for any errors or inaccuracies. Data sheet specifications and its information contained are intended to provide a product description only. "Typical" parameters which may be included on RECTRON data sheets and/ or specifications can and do vary in different applications and actual performance may vary over time. Rectron Inc does not assume any liability arising out of the application or use of any product or circuit.

Rectron products are not designed, intended or authorized for use in medical, life-saving implant or other applications intended for life-sustaining or other related applications where a failure or malfunction of component or circuitry may directly or indirectly cause injury or threaten a life without expressed written approval of Rectron Inc. Customers using or selling Rectron components for use in such applications do so at their own risk and shall agree to fully indemnify Rectron Inc and its subsidiaries harmless against all claims, damages and expenditures.