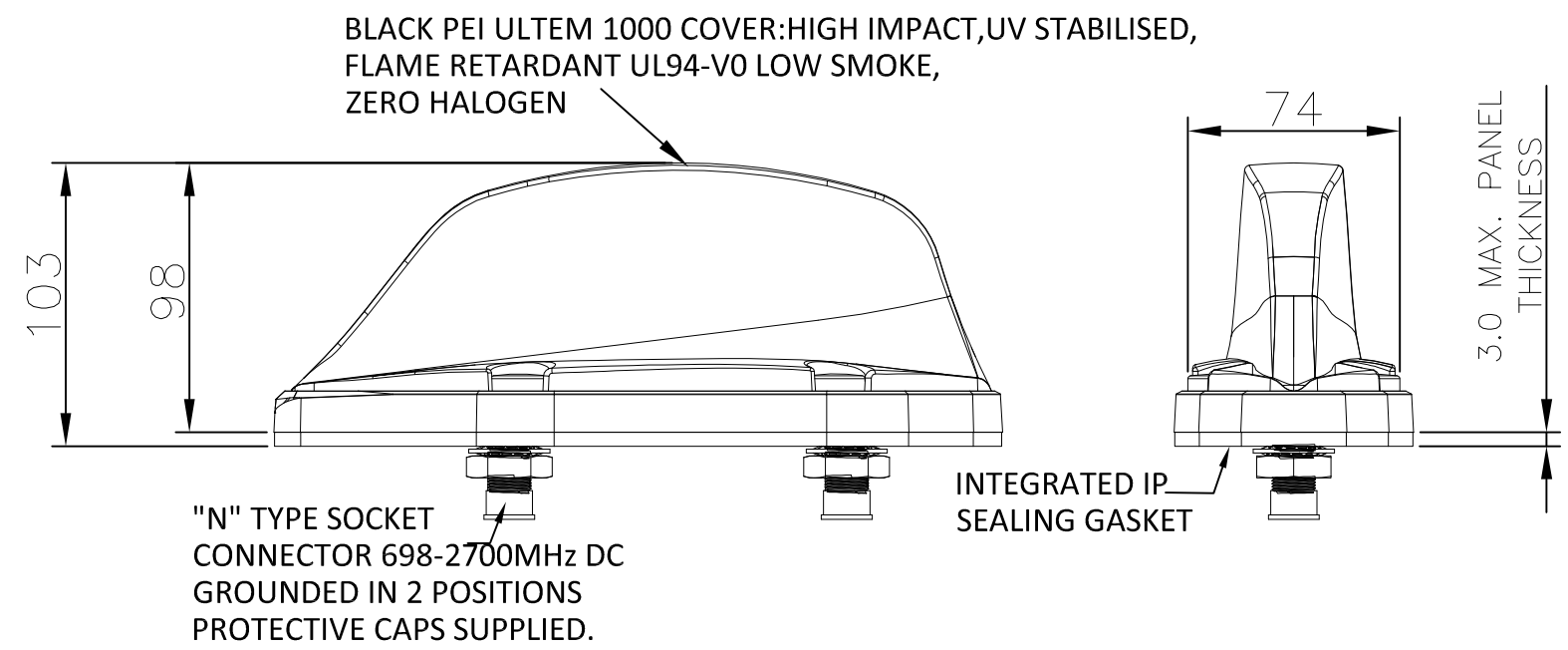


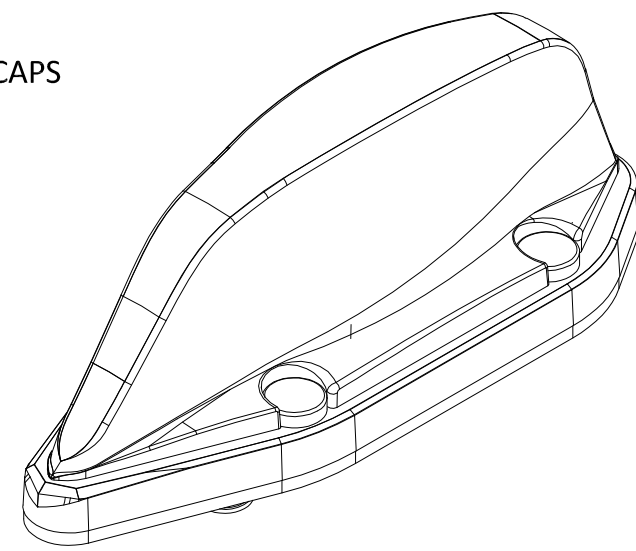
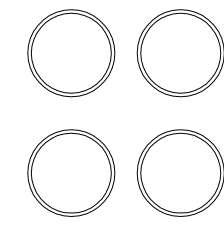
THIS DRAWING IS UNPUBLISHED. RELEASED FOR PUBLICATION FEB ,2006.
 © COPYRIGHT 2006 By - ALL RIGHTS RESERVED.

PROJECT	PRJ-16-000906992
PART NO	1-2823591-1
HV DESC	MiMo without GPS,2X 698-960/1710-6000 MHz
CUSTOMER	GENERAL MARKET

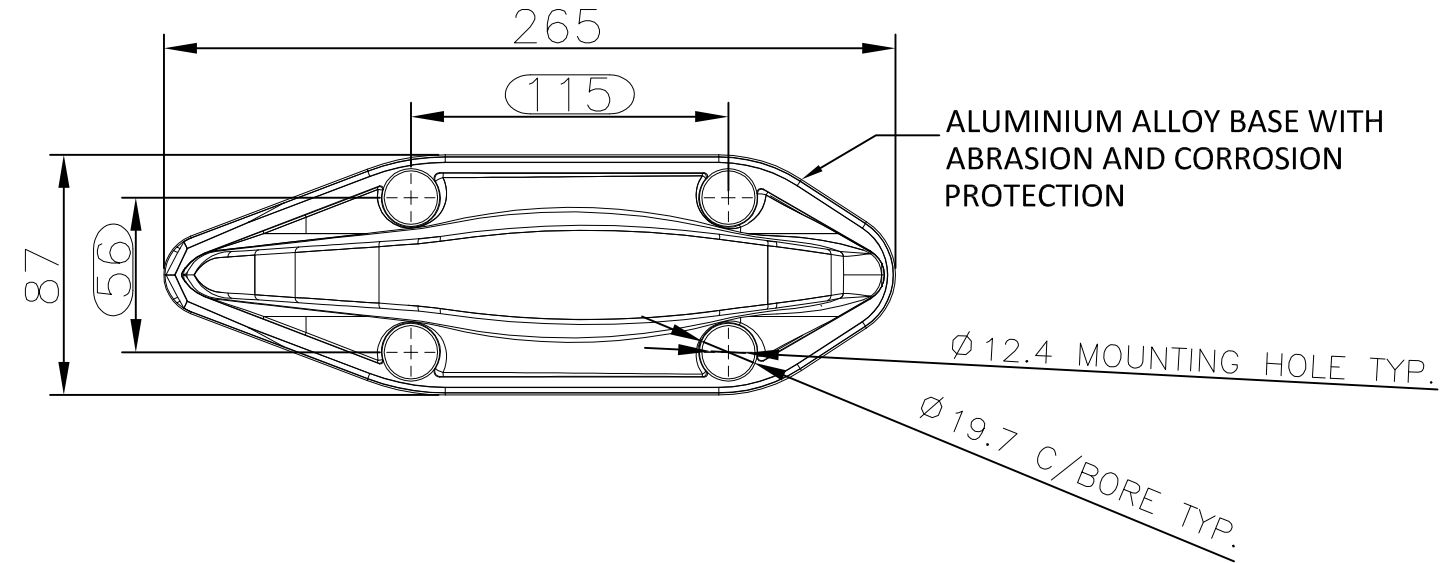
REVISIONS					
P	LTR	DESCRIPTION	DATE	DWN	APVD
	A2	REVISED PER ECR-16-014891	17NOV2016	KK	GG



4 X M12 SEALING WASHERS AND BOLT CAPS SUPPLIED LOOSE

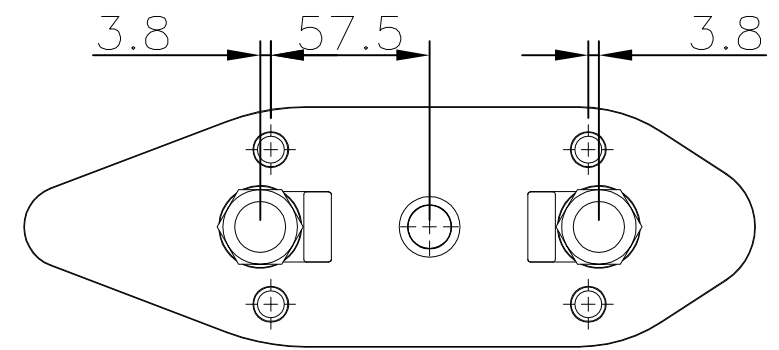


ISO VIEW



NOTES:

1. ALL PARTS MUST BE RoHS COMPLIANT AND MUST NOT CONTAIN ANY SUBSTANCES OF VERY HIGH CONCERN (SVHCs) LISTED UNDER REACH OR POLYAROMATIC HYDRACARBONS (PAHs) OR PERSISTENT ORGANIC POLLUTANTS (POPs) CONTROLLED BY THE STOCKHOLM CONVENTION.
2. DENOTES CRITICAL DIMENSION
3. WEIGHT 1072.87g (Approx)
4. FOR INSTALLATION INSTRUCTIONS,PLEASE REFER 408-156025



THIS DRAWING IS A CONTROLLED DOCUMENT.		DWN	GUNA	04MAR2016	TE Connectivity			
		CHK	GUNA	04MAR2016				
		APVD	GUNA	04MAR2016	NAME			
		PRODUCT SPEC			TRANSIT ANTENNA			
		APPLICATION SPEC			MiMo without GPS,2X 698-960/1710-6000 MHz			
DIMENSIONS: mm		TOLERANCES UNLESS OTHERWISE SPECIFIED:			SIZE	CAGE CODE	DRAWING NO	RESTRICTED TO
		0 PLC	± 0.5		A3	00779	C-2823591	-
		1 PLC	± 0.2					
		2 PLC	± 0.1					
		3 PLC	± -					
		4 PLC	± -					
		ANGLES	± 1°					
MATERIAL		FINISH			WEIGHT			
-		-			CUSTOMER DRAWING			SCALE
					NTS		SHEET	1 OF 1
							REV	A2