

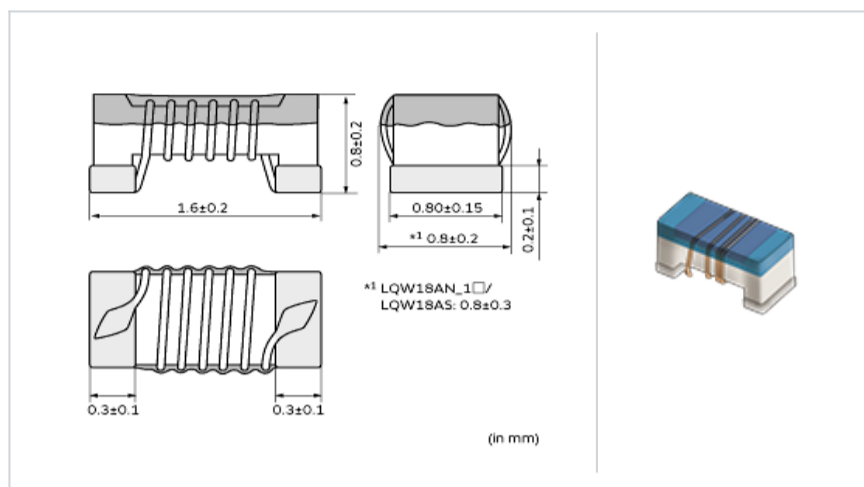
# LQW18AS5N1G0Z#

" # " indicates a package specification code.



< List of part numbers with package codes >  
LQW18AS5N1G0ZD , LQW18AS5N1G0ZJ , LQW18AS5N1G0ZB

## Shape



|                        |             |
|------------------------|-------------|
| L size                 | 1.6 ± 0.2mm |
| W size                 | 0.8 ± 0.3mm |
| T size                 | 0.8 ± 0.2mm |
| Size code in inch (mm) | 0603 (1608) |

## References

| Packaging code | Specifications     | Minimum quantity |
|----------------|--------------------|------------------|
| D              | 180mm Paper taping | 4000             |
| J              | 330mm Paper taping | 10000            |
| B              | Packing in bulk    | 500              |

| Mass (Typ.) |         |
|-------------|---------|
| 1 piece     | 0.003 g |

## Specifications

|   |                    |
|---|--------------------|
| Inductance  | 5.1nH ± 2%         |
| Inductance test frequency                                       | 250MHz             |
| Rated current (Itemp) (Based on Temperature rise)               | 700mA              |
| Max. of DC resistance   | 0.14               |
| Q (min.)  | 20                 |
| Q test frequency  | 250MHz             |
| Self resonance frequency (min.)                                 | 5700MHz            |
| Operating temperature range (Self-temperature rise is included) | -40 ~ 125          |
| Class of magnetic shield  | No magnetic shield |

### ⚠ Attention

- 1.This datasheet is downloaded from the website of Murata Manufacturing Co., Ltd. Therefore, it ' s specifications are subject to change or our products in it may be discontinued without advance notice. Please check with our sales representatives or product engineers before ordering.
- 2.This datasheet has only typical specifications because there is no space for detailed specifications. Therefore, please review our product specifications or consult the approval sheet for product specifications before ordering.