

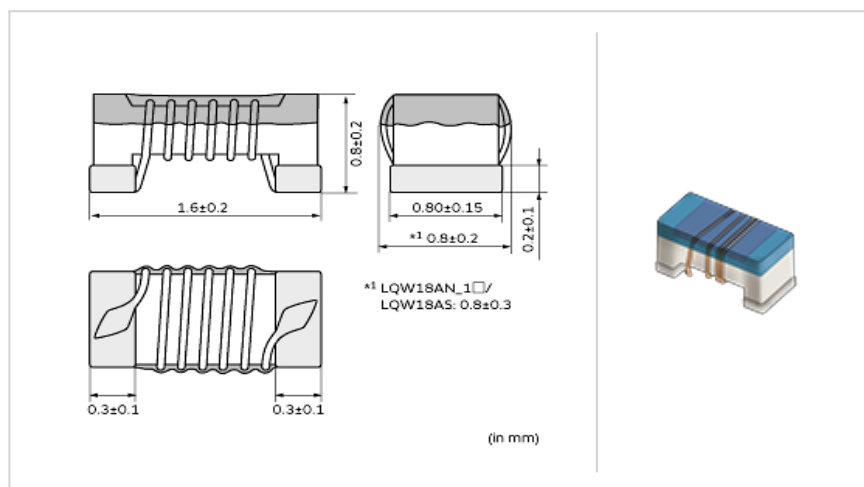
LQW18ASR12J0Z#

" # " indicates a package specification code.



< List of part numbers with package codes >
LQW18ASR12J0ZD , LQW18ASR12J0ZJ , LQW18ASR12J0ZB

Shape



L size	1.6 ± 0.2mm
W size	0.8 ± 0.3mm
T size	0.8 ± 0.2mm
Size code in inch (mm)	0603 (1608)

References

Packaging code	Specifications	Minimum quantity
D	180mm Paper taping	4000
J	330mm Paper taping	10000
B	Packing in bulk	500

Mass (Typ.)	
1 piece	0.003 g

Specifications

Inductance	120nH ± 5%
Inductance test frequency	150MHz
Rated current (Itemp) (Based on Temperature rise)	300mA
Max. of DC resistance	0.65
Q (min.)	32
Q test frequency	150MHz
Self resonance frequency (min.)	1300MHz
Operating temperature range (Self-temperature rise is included)	-40 ~ 125
Class of magnetic shield	No magnetic shield

⚠ Attention

- 1.This datasheet is downloaded from the website of Murata Manufacturing Co., Ltd. Therefore, it ' s specifications are subject to change or our products in it may be discontinued without advance notice. Please check with our sales representatives or product engineers before ordering.
- 2.This datasheet has only typical specifications because there is no space for detailed specifications. Therefore, please review our product specifications or consult the approval sheet for product specifications before ordering.