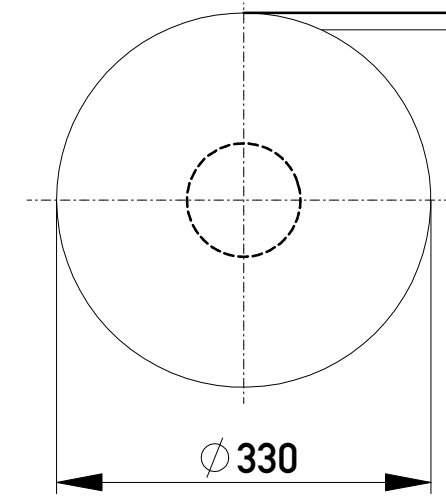
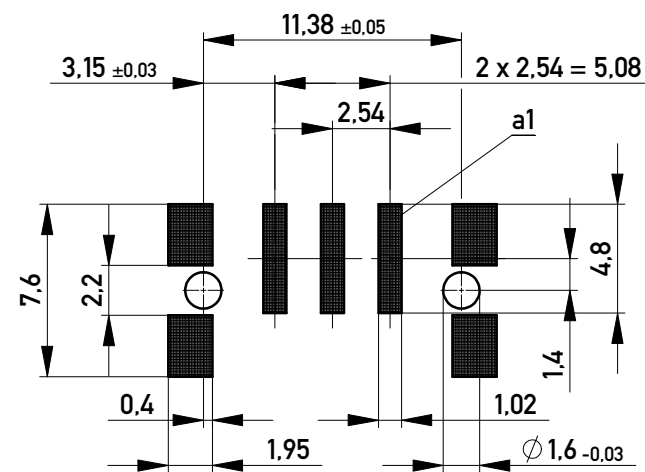


Verpackt im Gurt in Anlehnung an DIN IEC 60286-3
 Tape on Reel Packaging according to DIN IEC 60286-3
 Verpackungseinheit: 320 Stück
 Packaging unit: 320 pcs



Abspulrichtung - Reel off Direction

Leiterplatten-Lay-out Vorschlag für SMT
 PCB-Lay-out Proposal for SMT

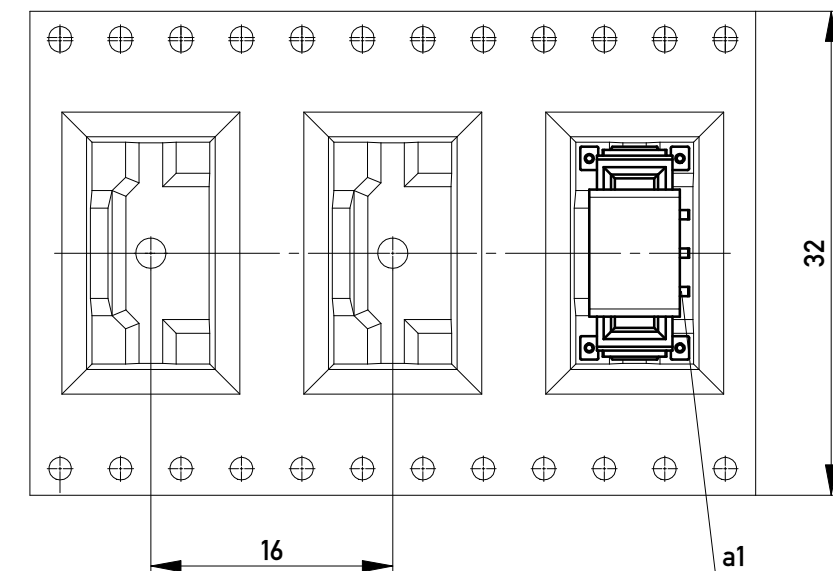


Anforderungsstufe 1
 Performance Level 1

Kontaktbereich vergoldet
 Mating Area gold plating

Anschlussbereich verzinkt 4-6 µm
 Terminal Area 4-6 µm tin plating

Koplanarität der Anschlüsse ≤ 0,1 mm
 Coplanarity Area of Termination ≤ 0,1 mm



Information: Codierung: blau - coding: blue	Tolerances All Dimensions in mm	Scale	3:1
		Designation M 2,54 SRC-P, 3-polig	
All rights reserved. Only for Information. To ensure that this is the latest version of this drawing, please contact one of the ERNI companies before using.	Subject to modification without prior notice. Drawing will not be updated.	101804240001	
		www.ERNI.com	K A3
g Index	19.02.2016 Date	Class SRCP	

Copyright by ERNI GmbH
 Proprietary notice pursuant to ISO 16016 to be observed.