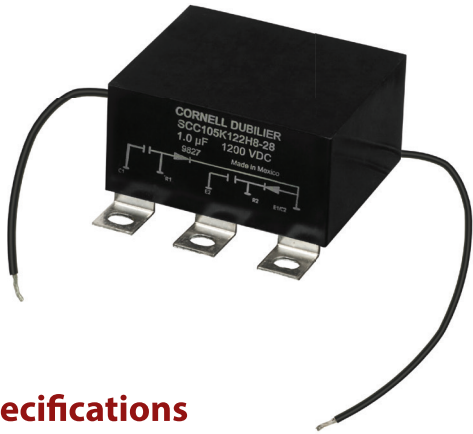


Type SCC, Dual IGBT Clamp-Snubber Modules

High Peak Current Snubber with Integrated Hyperfast Diodes



Style SCC is ideal for use in medium to high current applications where a dual IGBT module is used. This low loss snubber directly reduces turn-off voltage overshoots and is effective in reducing turn-on voltage transients.

Highlights

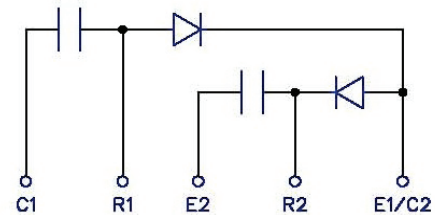
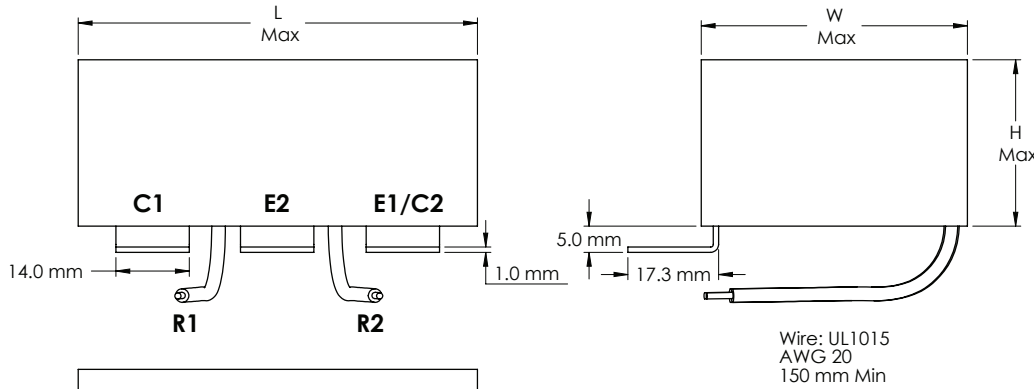
- Mount directly to the IGBT module
- Low inductance
- Low loss polypropylene dielectric
- High peak current
- Hyperfast diodes integrated into package
- Wire taps for connecting external resistors
- Flame resistant case and epoxy meet UL 94V-0

Specifications

Capacitance Range	0.47 to 2.0 μ F
Capacitance Tolerance	\pm 10% (K) standard, \pm 5% (J) optional
Rated Voltage	600 to 1200 Vdc
Operating Temperature Range	-55 $^{\circ}$ C to 70 $^{\circ}$ C
RoHS Compliant	

Dimensions

Construction Details	
Case Material	Plastic UL94V-0
Resin Material	Dry Resin UL94V-0
Terminal Material	Tin Plated Copper



Type SCC, Dual IGBT Clamp-Snubber Modules

High Peak Current Snubber with Integrated Hyperfast Diodes

Part Numbering System

SCC	105	K	122	H1	24	-F
Series Type Designation	Capacitance in pF	Tolerance Code	Voltage	Diode Rating	Lug Spacing	RoHS Compliant Indicator
	104 = 0.1 μF 105 = 1 μF	J = ±5% K = ±10%	601 = 600 Vdc 122 = 1200 Vdc	See Tables	24 = 24 mm 28 = 28 mm	

Ratings

Note: Other ratings, sizes and performance specification available upon request. Contact us.

Catalog Part Number	Cap (μF)	Typical Application DUAL IGBT Ic/Vce	Diode Characteristics Vrrm/If/trr(μs)	Ipk(A) Surge Tc = 25 °C	Ipk(A) Tc = 25 °C Repetitive 20 kHz Sq Wave	W (mm)	L (mm)	H (mm)	W2 (mm)	P (mm)
SCC105K601H7-24-F	1.00	100/600	600/30/.040	300	70	50.80	76.20	31.75	14.22	24
SCC155K601H7-24-F	1.50	200-300/600	600/30/.040	300	70	50.80	76.20	31.75	14.22	24
SCC205K601H5-24-F	2.00	400/600	600/50/.045	500	100	50.80	76.20	31.75	14.22	24
SCC205K601H5-28-F	2.00	400/600	600/50/.045	500	100	50.80	76.20	31.75	10.16	28
SCC474K122H8-24-F	0.47	100/1200	1200/30/.065	300	60	50.80	76.20	31.75	14.22	24
SCC474K122H8-28-F	0.47	100/1200	1200/30/.065	300	60	50.80	76.20	31.75	10.16	28
SCC105K122H8-24-F	1.00	150/1200	1200/30/.065	300	60	62.90	76.20	38.10	14.22	24
SCC105K122H8-28-F	1.00	150/1200	1200/30/.065	300	60	62.90	76.20	38.10	10.16	28
SCC155K122H4-24-F	1.50	200/1200	1200/50/.085	500	100	63.50	88.90	40.00	20.60	24
SCC155K122H4-28-F	1.50	200/1200	1200/50/.085	500	100	63.50	88.90	40.00	16.50	28
SCC205K122H4-24-F	2.00	300/1200	1200/50/.085	500	100	71.12	92.08	43.18	20.60	24
SCC205K122H4-28-F	2.00	300/1200	1200/50/.085	500	100	71.12	92.08	43.18	18.03	28

Notice and Disclaimer: All product drawings, descriptions, specifications, statements, information and data (collectively, the "Information") in this datasheet or other publication are subject to change. The customer is responsible for checking, confirming and verifying the extent to which the Information contained in this datasheet or other publication is applicable to an order at the time the order is placed. All Information given herein is believed to be accurate and reliable, but it is presented without any guarantee, warranty, representation or responsibility of any kind, expressed or implied. Statements of suitability for certain applications are based on the knowledge that the Cornell Dubilier company providing such statements ("Cornell Dubilier") has of operating conditions that such Cornell Dubilier company regards as typical for such applications, but are not intended to constitute any guarantee, warranty or representation regarding any such matter – and Cornell Dubilier specifically and expressly disclaims any guarantee, warranty or representation concerning the suitability for a specific customer application, use, storage, transportation, or operating environment. The Information is intended for use only by customers who have the requisite experience and capability to determine the correct products for their application. Any technical advice inferred from this Information or otherwise provided by Cornell Dubilier with reference to the use of any Cornell Dubilier products is given gratis (unless otherwise specified by Cornell Dubilier), and Cornell Dubilier assumes no obligation or liability for the advice given or results obtained. Although Cornell Dubilier strives to apply the most stringent quality and safety standards regarding the design and manufacturing of its products, in light of the current state of the art, isolated component failures may still occur. Accordingly, customer applications which require a high degree of reliability or safety should employ suitable designs or other safeguards (such as installation of protective circuitry or redundancies or other appropriate protective measures) in order to ensure that the failure of an electrical component does not result in a risk of personal injury or property damage. Although all product-related warnings, cautions and notes must be observed, the customer should not assume that all safety measures are indicated in such warnings, cautions and notes, or that other safety measures may not be required.