

POWER ENTRY MODULES

SCREW MOUNTING

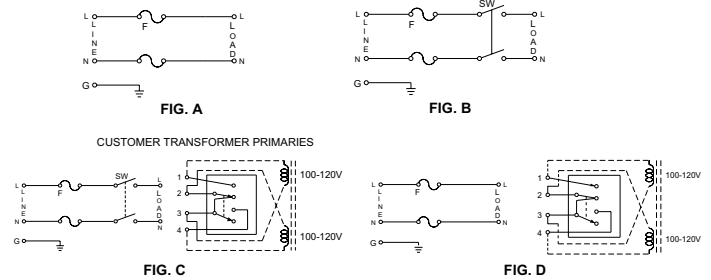
INTRODUCTIONS

1. Designed to meet globally accepted IEC publication 320 Class 1, that allows users to comply with industry standard in power entry requirement.
2. Connector for cold condition, with pin temperature 65°C max.
3. Nickel-plated brass pins and soldering terminals.
4. Screw-on mount from front or rear (with screw type-M3).
5. Power module incorporates an IEC connector, double-fuse holder, voltage selector, double-pole power switch, all-in-one easy-to-install unit.
6. Double-fuse holder designed for two fuses and two spare fuses (all 5x20mm fuses).
7. Adapts to 100-120V or 200-240V input voltage simply by reversing the voltage selector card.
8. Compact design and high volume production provide maximum flexibility and significant savings in space and cost over assembly of individual components.
9. All part numbers are UL recognized, CSA & VDE approved.
10. Power modules with built-in filters are also available. See Delta EMI Filter catalog for CK and CR series.

SPECIFICATIONS

1. Rated voltage: 250VAC
2. Minimum insulation resistance at 500VDC: 10M OHM
3. Dielectric strength (one minute): 2000VAC between pins
4. Flammability class: UL 94V-0

ELECTRICAL SCHEMATIC



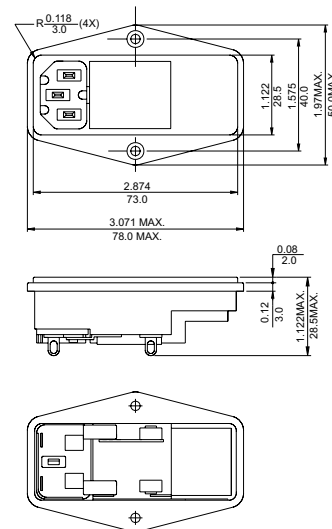
TYPE & RATED CURRENT

DELTA PART NUMBER		10C1	10C2	10C3	10C4	REMARKS: * 1. FUSE HOLDER "D" FOR DOUBLE-FUSE HOLDER * 2. DOUBLE-POLE POWER SWITCH UL, CSA AND VDE APPROVED AT 10A/250VAC ELECTRICAL LIFETIME: 10,000 CYCLES MAXIMUM IN-RUSH CURRENT: 51A * 3. VOLTAGE SELECTOR CARD RATING UL/CSA/VDE-10A/250VAC
RATED CURRENT (AT 250VAC)	UL/CSA	10A	10A	10A	10A	
	VDE	10A	10A	10A	10A	
CONNECTOR TYPE	MALE	△	△	△	△	
	FEMALE					
FUSE HOLDER	*	D *1	D *1	D *1	D *1	
POWER SWITCH	*	-	DP *2	DP *2	-	
VOLTAGE SELECTOR	*	-	-	FRONT *3	FRONT *3	
ELECTRICAL SCHEMATIC		FIG. A	FIG. B	FIG. C	FIG. D	

MECHANICAL CONSTRUCTION



10C1

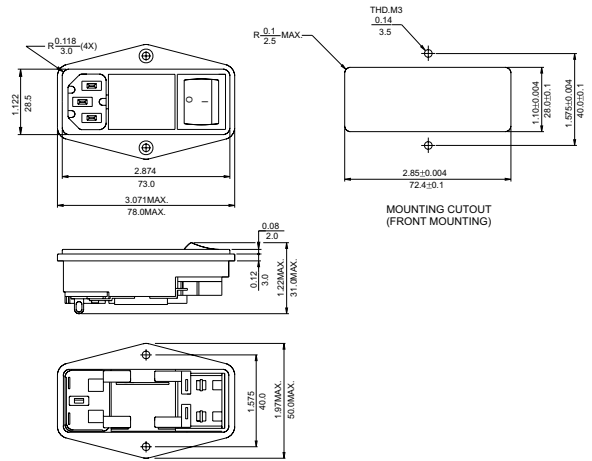


UNIT: $\frac{\text{INCH}}{\text{mm}}$

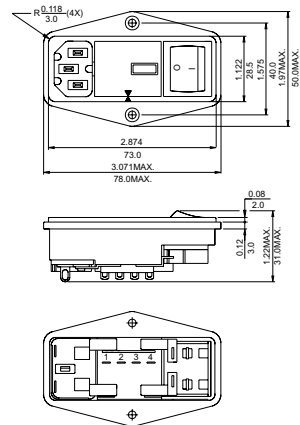
MECHANICAL CONSTRUCTION



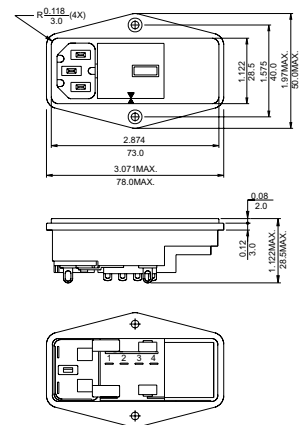
10C2



10C3



10C4



UNIT: INCH
mm