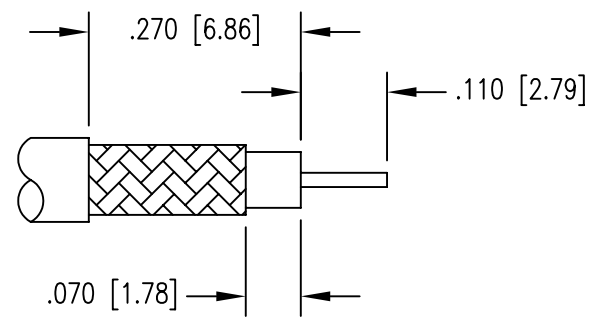
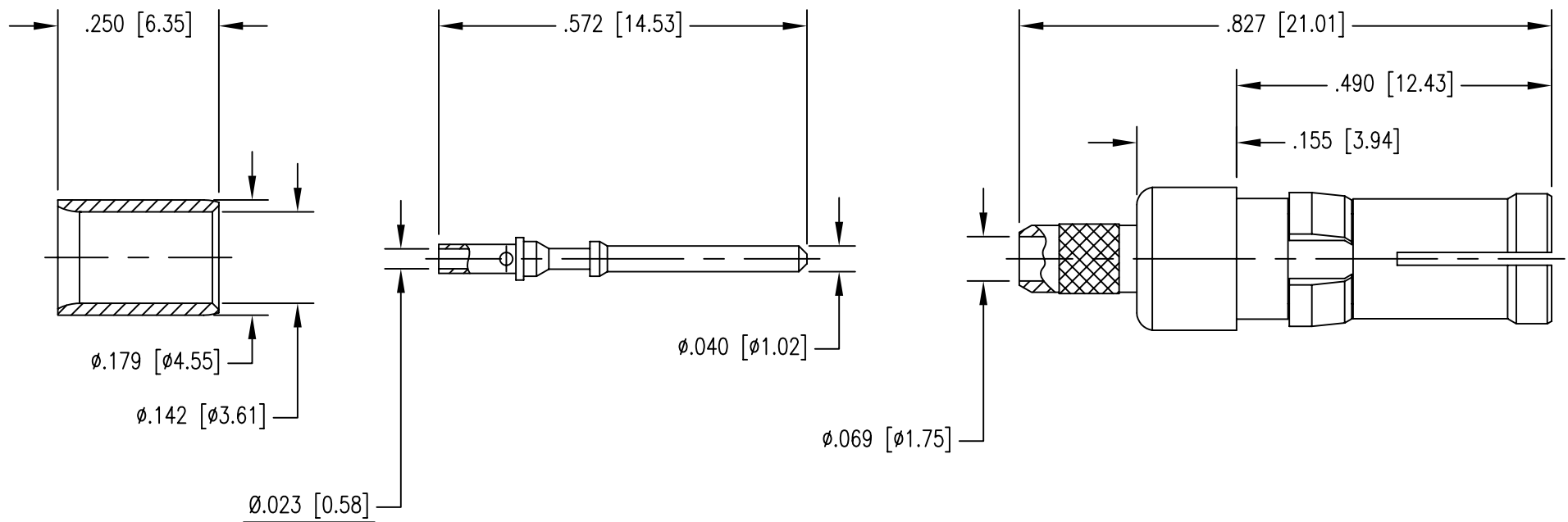


DWG. NO.		311-910-0631G		DCam
REV	DESCRIPTION	BY DATE	APPD	
H	ECR 8576	PSM 06/15/05		DCam



RECOMMENDED TRIMMING DIMENSIONS

NOTES:

- MATERIALS:
 - WEDGE BODY AND CONTACT: BRASS PER ASTM B16
 - INSULATOR: TEFLON PER ASTM D1710
 - CLIP RING: BERYLLIUM COPPER PER ASTM B194
 - ALL OTHER METAL PARTS: COPPER ALLOY
- FINISH:
 - WEDGE BODY: .000015 MIN. GOLD PER MIL-G-45204 OVER
.000050 MIN. NICKEL PER QQ-N-290
 - FERRULE: .000005 MIN. GOLD PER MIL-G-45204 OVER
.000050 MIN. NICKEL PER QQ-N-290
 - CLIP RING: .000100 MIN. NICKEL PER QQ-N-290 OVER
COPPER FLASH
 - ALL OTHER METAL PARTS: .000030 MIN. GOLD PER MIL-G-45204 OVER
.000050 MIN. NICKEL PER QQ-N-290
- FOR USE WITH RG-316 CABLE OR EQUIVALENT.
- FOR CABLING TRIMMING DIMENSIONS USE CAP 9-07 WITH TRIMMING DIMENSIONS SHOWN.
- CRIMP FERRULE USING .151 HEX DIE.

PER ASME Y14.5M-1994 UNLESS OTHERWISE SPECIFIED: DIMENSIONS ARE IN INCHES (MM)		NORTHROP GRUMMAN	
TOLERANCES: DECIMALS .XX ± .01 [0.254] XXX ± .005 [0.127] ANGLES ± 2°		Winchester Electronics 400 Park Road Watertown, CT 06795	
CUSTOMER DRAWING		TITLE 31 SERIES CABLE RECEPTACLE	
DRAWN KJT	DATE 3/14/97	CHECKED JMC	DATE 3/14/97
APPROVED AT	DATE 3/14/97	APPROVED AT	DATE 3/14/97
A		311-910-0631G	SHT. 1 OF 1 REV. H