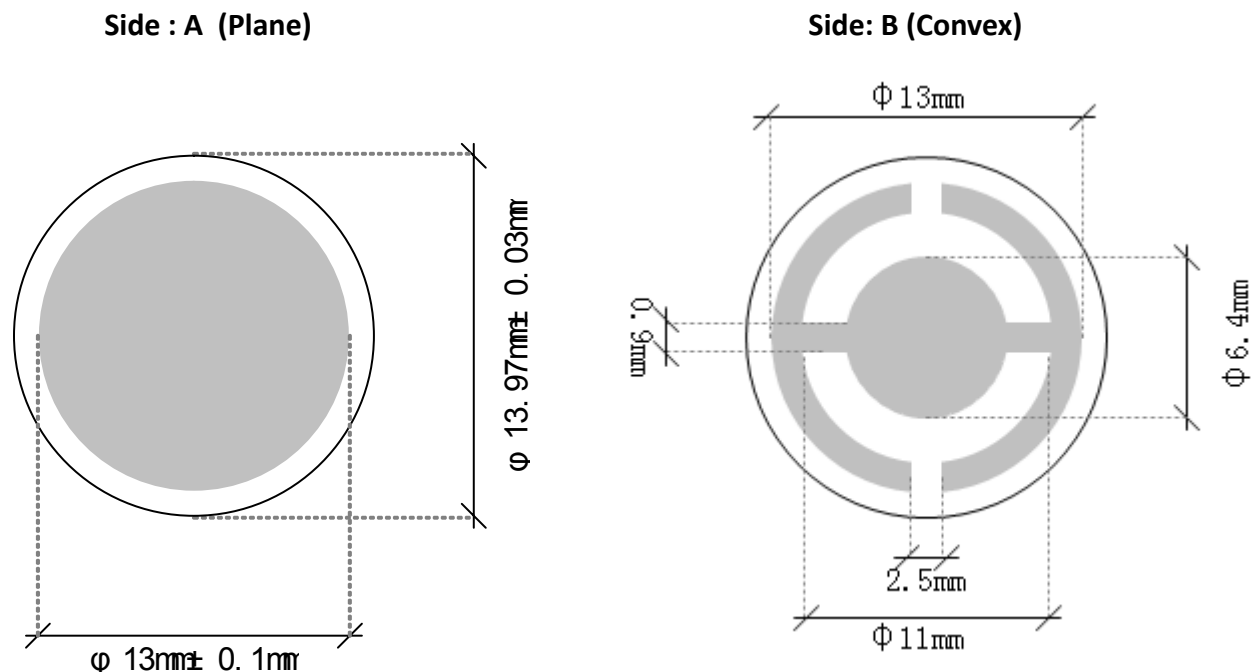


Specification	AXQCM597-Au	Rev.: 3	Date: 2014-06-02
---------------	-------------	---------	------------------

Type : **Quartz Crystal Microbalance Element (Monitor Crystal)**  
**Electrodes Maxtek Style**

Parameter	min.	typ.	max.	Unit	Condition
Nominal frequency	6.000			MHz	
Adjustment frequency	5.970			MHz	
Crystal cut	AT				
Overtone	1				
Adjustment tolerance	-7		+7	kHz	@ 25°C
Frequency stability					
Over operating temperature range	-50		+50	ppm	
Resonance resistance $R_r$		15	60	$\Omega$	
Motional capacitance $C_1$				fF	
Shunt capacitance $C_0$			7	pF	
Drive level		100		$\mu$ W	
Operating temperature range	0		+70	°C	
Storage temperature range	-40		+105	°C	
QCM diameter	13.97 ± 0.03			mm	
Blank surface quality	Fine lapped				
Electrode diameter Side A	13.0 ± 0.1			mm	Fully plated
Electrode material Side A	Cr-Au				
Electrode diameter Side B	6.4 ± 0.2			mm	See drawing
Electrode material Side B	Cr-Au				



**Ordering Code:**

Model (Specification)	Frequency [MHz]
AXQCM597-Au	5.970

**Revision History**

Rev.	Drawing	Date [dd.mm.yyyy]	Remarks	Author	Checked
2	D0	23.10.2013		EP	BN
3	D1	02.06.2014	Editorial changes	BN	BN