

WITTEN FASTENERS

355 SERIES THRU-HOLE THREADED INSERT W/ FLANGE

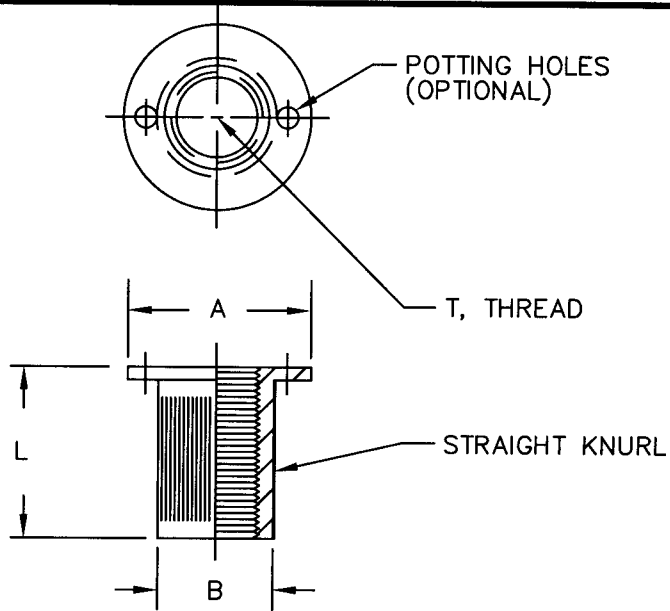


TABLE I

| CODE NO. | T THREAD | A DIA ±.010 | B DIA +.010 -.000 | INSTALL HOLE +.010 -.000 |
|----------|-------------|-------------------|-------------------------|--------------------------------|
| 440 | 4-40 UNC | .487 | .177 | .187 |
| 632 | 6-32 UNC | .518 | .208 | .218 |
| 832 | 8-32 UNC | .550 | .240 | .250 |
| 1032 | 10-32 UNF | .581 | .271 | .281 |
| 420 | 1/4-20 UNC | .643 | .333 | .343 |
| 428 | 1/4-28 UNF | .643 | .333 | .343 |
| 518 | 5/16-18 UNC | .737 | .427 | .437 |
| 524 | 5/16-24 UNF | .737 | .427 | .437 |
| 616 | 3/8-16 UNC | .800 | .490 | .500 |
| 624 | 3/8-24 UNF | .800 | .490 | .500 |
| 714 | 7/16-14 UNC | .862 | .552 | .562 |
| 720 | 7/16-20 UNF | .862 | .552 | .562 |
| 813 | 1/2-13 UNC | .925 | .615 | .625 |
| 820 | 1/2-20 UNF | .925 | .615 | .625 |

TABLE II

| DASH NO. | L ±.030 |
|----------|------------|
| -4 | .250 |
| -5 | .312 |
| -6 | .375 |
| -7 | .437 |
| -8 | .500 |
| -9 | .562 |
| -10 | .625 |
| -11 | .687 |
| -12 | .750 |
| -13 | .812 |
| -14 | .875 |
| -15 | .937 |
| -16 | 1.000 |
| -18 | 1.125 |
| -20 | 1.250 |
| -22 | 1.375 |
| -24 | 1.500 |
| -28 | 1.750 |

EXAMPLE: PART NUMBERING SYSTEM

